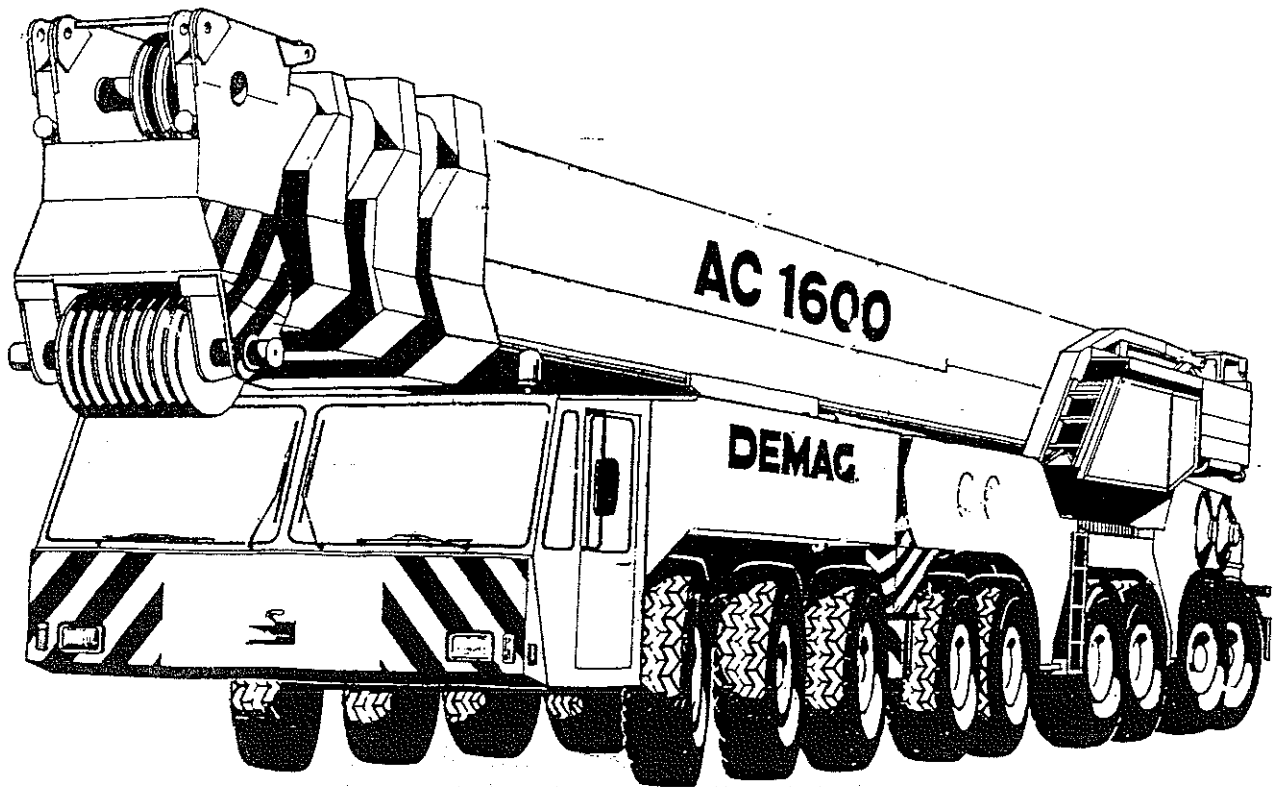
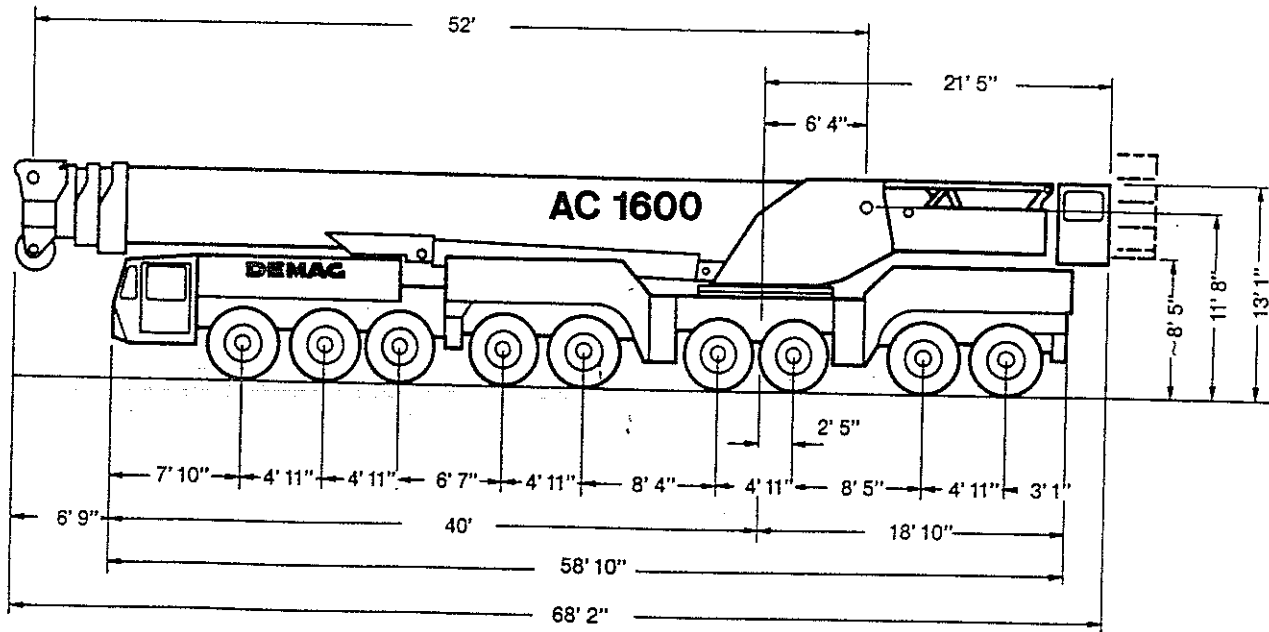


**MANNESMANN
DEMAG**

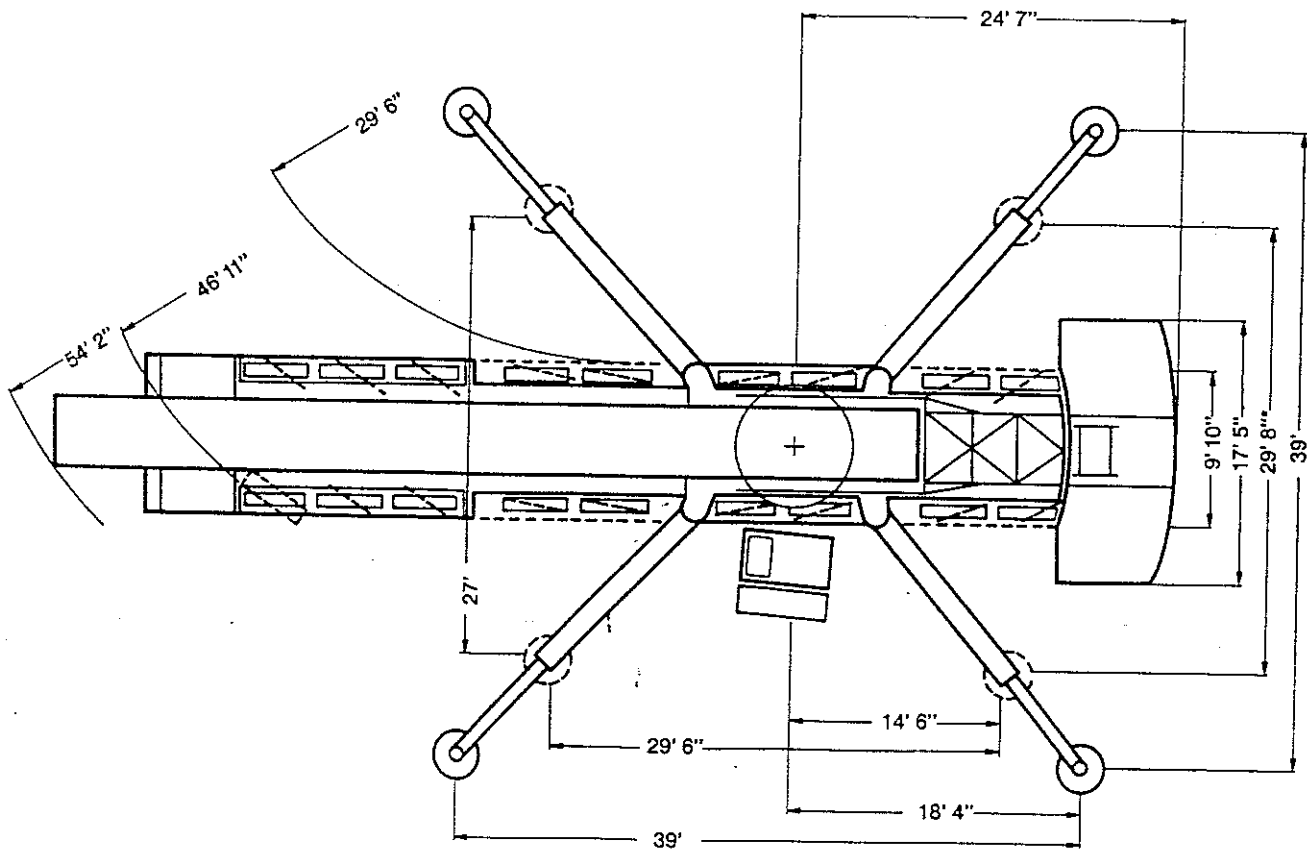
Demag AC 1600



Dimensions



Dimensions



*) Duties with reduced outrigger base upon request

Specifications

Axle Loads and Weights

| | |
|---|---------------|
| Crane with Main Boom, Outriggers and Hook Block | |
| Axles | 9 x 26,500 lb |
| Total Weight | 238,000 lb |

Working Speeds (infinitely variable)

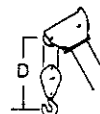
| Units | Line Speed | Rope Pull, Single Line | Length of Hoist Rope |
|-------------------|-----------------|------------------------|-----------------------|
| Main Hoist | max. 426 ft/min | 27,000 lb | 1,476 ft |
| Secondary Hoist | max. 426 ft/min | 27,000 lb | 1,804 ft |
| Swing | | | max. 1.0 rpm |
| Telescoping speed | | | 52 ft - 164 ft: 180 s |
| Boom elevation | | | -2° - +82°: 120 s |

Carrier Performance

| | |
|---------------|-----------|
| Travel speeds | 0..40 mph |
|---------------|-----------|

Hook-Block/Crane Hook

| Type | Capacity | Number of Sheaves | Number of Lines | Weight | "D" |
|-------------------|--------------|-------------------|-----------------|-----------|-----|
| 500 ¹⁾ | 1,102,000 lb | 2 x 13 | 2 x 21 | 19,000 lb | - |
| 320 | 688,000 lb | 13 | 26 | 8,000 lb | 10' |
| 200 | 397,000 lb | 7 | 15 | 6,000 lb | 10' |
| 100 | 185,000 lb | 3 | 7 | 4,000 lb | 10' |
| 40 | 79,000 lb | 1 | 3 | 2,600 lb | 9' |
| 12.5 | 26,000 lb | Crane Hook | 1 | 2,200 lb | 7' |



¹⁾ with heavy-duty attachment

Notes on Capacity Charts

1.0 Duty Charts:

| Configuration | Notes | Counterweight [lb] | No. of Identity | Page |
|--|---|--|-----------------|------|
| Main Boom | | 309,000 216,000 126,000 82,000 0 | 629 610 40 | 1-5 |
| Main Boom with Superlift | | 309,000 216,000 | 629 609 40 | 1+2 |
| Main Boom | red. Outrigger Base | 216,000 0 | 629 611 40 | 1+2 |
| Fixed Jib | Pos. 0° | 216,000 126,000 | 398 768 40 | 1+2 |
| Fixed Jib | Pos. 20° | 216,000 126,000 | 398 769 40 | 1+2 |
| Fixed Jib Main Boom 148.0 ft | Pos. 20° | 216,000 126,000 | 398 770 40 | 1 |
| Fixed Jib Main Boom 132.0 ft | Pos. 20° | 216,000 126,000 | 398 770 40 | 2 |
| Fixed Jib with Superlift | Pos. 0° | 309,000 216,000 | 398 765 40 | 1+2 |
| Fixed Jib with Superlift | Pos. 20° | 216,000 | 398 766 40 | |
| Fixed Jib with Superlift Main Boom 148.0 ft | Pos. 20° | 309,000 216,000 | 398 767 40 | |
| Fixed Jib | Pos. 0° red. Outrigger Base | 216,000 | 398 771 40 | |
| Fixed Jib | Pos. 20° red. Outrigger Base | 216,000 | 398 785 40 | |
| Luffing Fly Jib | Main Boom Pos. 82° | 216,000 | 398 773 40 | 1-7 |
| Luffing Fly Jib | Main Boom Pos. 82° red. Outrigger Base | 216,000 | 398 775 40 | 1-5 |
| Luffing Fly Jib | Main Boom Pos. 70° | 216,000 | 398 774 40 | 1-7 |
| Luffing Fly Jib with Superlift | Main Boom Pos. 70° | 309,000 | 502 733 40 | 2-5 |

Notes on Capacity Charts

2.0 In case of operation observe the following instructions:

- ☞ The crane shall be supported in level position.
- ☞ The supporting surface shall be sufficiently firm (max. outrigger load: 397,000 lb)
- ☞ Slewing is only permitted with outriggers extended.
- ☞ The operational safety of the building material is designed for a surrounding temperature of -20° to +40°. However, you shall observe the instructions concerning the corresponding viscosities of the lubricants in the lubrication and maintenance manual.

3.0 Weights of hook blocks

Weights of hook blocks and lifting tackles shall be subtracted from the listed ratings

| | | | |
|----------|-----------------|----------------|-------------|
| Weights: | hook block | 2 x 13 sheaves | = 17,640 lb |
| | hook block | 13 sheaves | = 7,938 lb |
| | hook block | 7 sheaves | = 5,733 lb |
| | hook block | 3 sheaves | = 3,969 lb |
| | hook block | 1 sheave | = 2,646 lb |
| | hook suspension | 12.5 t | = 1,433 lb |

Max. single line pull

Hoist I: 26,900 lb

Hoist II: 26,900 lb

For operating mode description of runner, shift rope reeving switch to 1, max. load 26,900 lb
All duty charts are valid for pinned telescopes.

4.0 Permissible Sequence (%) of Extending the Telescopes

| Boom Length [ft] | Tele 1 | Tele 2 | Tele 3 |
|---------------------|--------|--------|--------|
| 52.0 | 0 | 0 | 0 |
| 68.0 | 43 | 0 | 0 |
| 84.0 | 43 | 43 | 0 |
| 100.0 | 43 | 43 | 43 |
| 116.0 | 86 | 43 | 43 |
| 132.0 | 86 | 86 | 43 |
| 148.0 | 86 | 86 | 86 |
| 164.0 | 100 | 100 | 100 |

Notes on Capacity Charts

5.0. Wind speeds - dynamic wind pressures

5.1 Crane in wind, with load

For the wind speeds of 22.36 mph (dynamic wind pressure 1.2528 psf) taken into account in the duty charts, the wind area of the load is taken as 5.856×10^{-3} sqft/lb.

With the exception of jib, wind speeds up to 33.53 mph (dynamic wind pressure 3.132 psf) will be permitted if the wind area of the load or the capacity is reduced according to the ratings above mentioned.

for example: load 44100 lb
 wind area of the load with 1.2528 psf = 258 sqft
 wind area of the load with 3.132 psf = 103 sqft

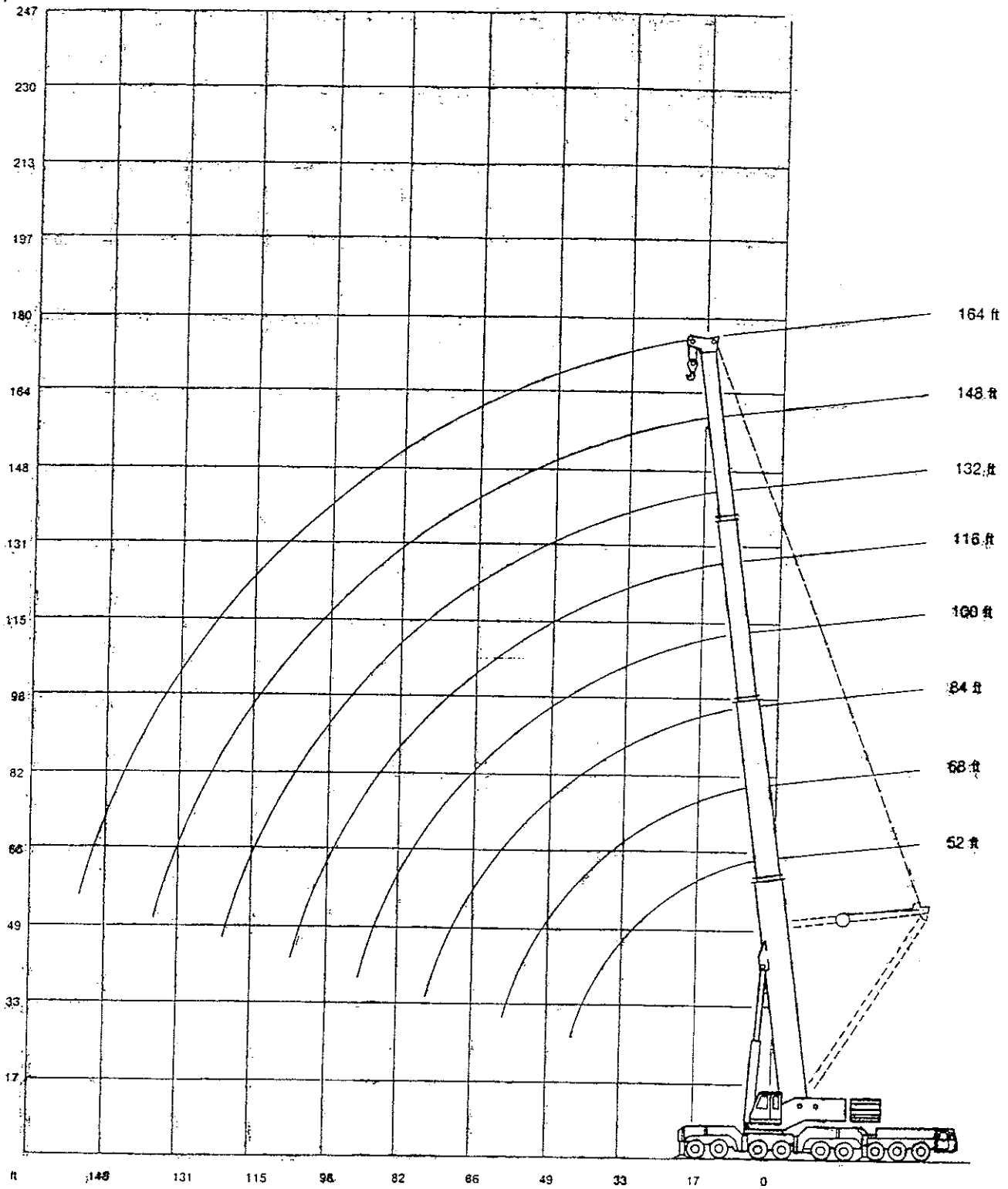
5.2 Crane in wind, without load
 see operation manual

6.0 Loads to be deducted from the rated listings

6.1 Fixed Jib

Loads (lb) to be deducted from the rated listings of main boom in case of fixed jib fitted in working position (including hook block 1 sheave)
 load on main boom

| Boom Length [ft] | Jib 26.2 ft | | Jib 65.6 ft | | Jib 105.0 ft | |
|---------------------|-------------|--------|-------------|--------|--------------|---------|
| | 0° | 20° | 0° | 20° | 0° | 20° |
| 52.0 | 17,287 | 27,099 | 29,768 | 60,197 | 48,510 | 109,441 |
| 68.0 | 16,736 | 23,792 | 26,725 | 49,965 | 42,358 | 89,200 |
| 84.0 | 15,700 | 21,741 | 24,850 | 43,637 | 38,587 | 76,491 |
| 100.0 | 15,280 | 20,374 | 23,593 | 39,359 | 36,007 | 67,847 |
| 116.0 | 14,994 | 19,360 | 22,667 | 36,250 | 34,177 | 61,585 |
| 132.0 | 14,773 | 18,610 | 21,961 | 33,912 | 32,744 | 56,845 |
| 148.0 | 14,597 | 18,014 | 21,410 | 32,060 | 31,642 | 53,140 |
| 164.0 | 14,443 | 17,552 | 20,992 | 30,605 | 30,782 | 50,208 |



AC 1600 Capacities on Main Boom
Telescopes pinned

85%

Capacity (lb x 1000) = Load * Hook Block

360°

| Radius (ft) | Main Boom (ft) | | | | | Counterweight 309 000 lb Outrigger Base 39 x 39 ft |
|----------------|------------------------|---------------------|---------------------|---------------------|---------------------|---|
| | 52.0* | 52.0 | 68.0 | 84.0 | 100.0 | |
| 10 | 1086.0 ¹⁾²⁾ | 737.0 ²⁾ | - | - | - | - |
| 11 | 987.0 ¹⁾²⁾ | 733.0 ²⁾ | 661.0 ²⁾ | - | - | - |
| 13 | 831.0 ²⁾ | 689.0 ²⁾ | 661.0 ²⁾ | - | - | - |
| 15 | 742.0 ²⁾ | 640.0 ²⁾ | 638.0 ²⁾ | 595.0 ²⁾ | - | - |
| 16 | 703.0 ²⁾ | 617.0 | 617.0 ²⁾ | 595.0 ²⁾ | 440.0 ²⁾ | - |
| 19 | 607.0 | 557.0 | 556.0 ³⁾ | 555.0 ²⁾ | 440.0 ²⁾ | - |
| 23 | 504.0 | 493.0 | 488.0 | 493.0 ²⁾ | 438.0 ²⁾ | - |
| 26 | 453.0 | 453.0 | 450.0 | 453.0 ³⁾ | 420.0 ²⁾ | - |
| 29 | 418.0 | 418.0 | 416.0 | 420.0 ³⁾ | 402.0 ³⁾ | - |
| 33 | 377.0 | 377.0 | 375.0 | 377.0 | 377.0 ³⁾ | - |
| 39 | 329.0 | 329.0 | 329.0 | 331.0 | 335.0 ³⁾ | - |
| 46 | - | - | 286.0 | 288.0 | 290.0 | - |
| 52 | - | - | 243.0 | 256.0 | 260.0 | - |
| 59 | - | - | 175.0 | 222.0 | 227.0 | - |
| 65 | - | - | - | 194.5 | 204.0 | - |
| 72 | - | - | - | 152.5 | 182.0 | - |
| 79 | - | - | - | - | 158.0 | - |
| 85 | - | - | - | - | 133.0 | - |

No. of Hoist Lines

| | 2) 2x21 26 | 2) 2x15 26 | 2) 2x14 3) 24/20 | 2) 2x12 3) 20/16 | 2) 2x9 3) 16/13 |
|-------------------------------|---------------|---------------|---------------------|---------------------|--------------------|
| Sequence of Extended Boom (%) | | | | | |
| 1.Tel. | 0 | 0 | 43 | 43 | 43 |
| 2.Tel. | 0 | 0 | 0 | 43 | 43 |
| 3.Tel. | 0 | 0 | 0 | 0 | 43 |
| DS | 011 | 001 | 001 | 001 | 001 |

DS = operating mode switch on PAT-console

* with add. outrigger (special equipment)

1) over rear / to side

2) with special equipment and double hook block

3) hoist rope reeved over hoist II

AC 1600 Capacities on Main Boom
Telescopes pinned

85*

360°

Capacity (lb x 1000) = Load + Hook Block

Counterweight 216 000 lb
Outrigger Base 39 x 39 ft

| Radius (ft) | Main Boom (ft) | | | | | | | |
|----------------|---------------------|---------------------|---------------------|---------------------|---------------------|---------------------|---------------------|---------------------|
| | 52.0 | 68.0 | 84.0 | 100.0 | 116.0 | 132.0 | 148.0 | 164.0 |
| 10 | 726.0 ¹⁾ | - | - | - | - | - | - | - |
| 11 | 722.0 ¹⁾ | 661.0 ¹⁾ | - | - | - | - | - | - |
| 13 | 678.0 ¹⁾ | 661.0 ¹⁾ | - | - | - | - | - | - |
| 15 | 629.0 ¹⁾ | 625.0 ¹⁾ | 595.0 ¹⁾ | - | - | - | - | - |
| 16 | 608.0 | 603.0 ¹⁾ | 595.0 ¹⁾ | 440.0 ¹⁾ | - | - | - | - |
| 19 | 550.0 | 548.0 ²⁾ | 549.0 ¹⁾ | 440.0 ¹⁾ | 363.0 ²⁾ | - | - | - |
| 23 | 486.0 | 484.0 | 484.0 ²⁾ | 438.0 ¹⁾ | 363.0 ²⁾ | 297.0 ²⁾ | - | - |
| 26 | 446.0 | 444.0 | 446.0 ²⁾ | 420.0 ¹⁾ | 339.0 ²⁾ | 293.0 ²⁾ | 231.0 ²⁾ | - |
| 29 | 413.0 | 411.0 | 411.0 ²⁾ | 402.0 ²⁾ | 313.0 ²⁾ | 274.0 ²⁾ | 231.0 ²⁾ | 198.0 ²⁾ |
| 33 | 375.0 | 373.0 | 373.0 | 375.0 ²⁾ | 283.0 ²⁾ | 252.0 | 219.0 ²⁾ | 197.5 ²⁾ |
| 39 | 324.0 | 320.0 | 322.0 | 324.0 | 249.0 | 220.0 | 198.5 | 181.5 |
| 46 | - | 268.0 | 268.0 | 270.0 | 213.0 | 192.5 | 178.5 | 162.0 |
| 52 | - | 236.0 | 236.0 | 238.0 | 190.0 | 173.0 | 159.0 | 146.5 |
| 59 | - | 175.0 | 206.0 | 208.0 | 169.0 | 152.5 | 143.5 | 131.5 |
| 65 | - | - | 182.5 | 186.5 | 154.0 | 140.0 | 130.5 | 121.0 |
| 72 | - | - | 152.0 | 159.0 | 134.5 | 124.5 | 120.0 | 108.5 |
| 79 | - | - | - | 137.0 | 121.5 | 112.5 | 110.0 | 98.0 |
| 85 | - | - | - | 122.0 | 111.0 | 103.5 | 101.5 | 92.0 |
| 92 | - | - | - | - | 101.0 | 94.0 | 93.5 | 84.5 |
| 98 | - | - | - | - | 94.5 | 89.5 | 87.5 | 78.0 |
| 105 | - | - | - | - | 84.5 | 82.0 | 80.0 | 72.5 |
| 111 | - | - | - | - | - | 75.5 | 75.5 | 68.5 |
| 118 | - | - | - | - | - | 70.0 | 68.0 | 63.5 |
| 124 | - | - | - | - | - | - | 63.5 | 59.3 |
| 131 | - | - | - | - | - | - | 59.0 | 54.1 |
| 138 | - | - | - | - | - | - | - | 51.6 |
| 144 | - | - | - | - | - | - | - | 47.2 |
| 151 | - | - | - | - | - | - | - | 42.2 |

No. of Hoist Lines

| 1) 2x15 | 1) 2x14 | 1) 2x12 | 1) 2x9 | 2) 15/11 | 2) 12/10 | 2) 9/8 | 2) 8/7 |
|---------|----------|----------|----------|----------|----------|--------|--------|
| 26 | 2) 24/20 | 2) 20/16 | 2) 16/13 | | | | |

Sequence of Extended Boom (%)

| | | | | | | | | |
|--------|---|----|----|----|----|----|----|-----|
| 1.Tel. | 0 | 43 | 43 | 43 | 86 | 86 | 86 | 100 |
| 2.Tel. | 0 | 0 | 43 | 43 | 43 | 86 | 86 | 100 |
| 3.Tel. | 0 | 0 | 0 | 43 | 43 | 43 | 86 | 100 |

DS

003

DS = operating mode switch on PAT-console

1) with special equipment and double hook block

2) hoist rope reeved over hoist II

Unpinned capacities: according above chart, but max. 88 200 lb

AC 1600 Capacities on Main Boom
Telescopes pinned

85%

Capacity (lb x 1000) = Load + Hook Block

360°

Counterweight 126 000 lb
Outrigger Base 39 x 39 ft

| Radius (ft) | Main Boom (ft) | | | | | | | |
|----------------|---------------------|---------------------|---------------------|---------------------|---------------------|---------------------|---------------------|---------------------|
| | 52.0 | 68.0 | 84.0 | 100.0 | 116.0 | 132.0 | 148.0 | 164.0 |
| 10 | 705.0 ¹⁾ | - | - | - | - | - | - | - |
| 11 | 702.0 ¹⁾ | 639.0 ¹⁾ | - | - | - | - | - | - |
| 13 | 658.0 ¹⁾ | 639.0 ¹⁾ | - | - | - | - | - | - |
| 15 | 610.0 | 610.0 ¹⁾ | 573.0 ¹⁾ | - | - | - | - | - |
| 16 | 590.0 | 588.0 ¹⁾ | 573.0 ¹⁾ | 440.0 ¹⁾ | - | - | - | - |
| 19 | 534.0 | 532.0 ²⁾ | 531.0 ¹⁾ | 440.0 ¹⁾ | 363.0 ²⁾ | - | - | - |
| 23 | 471.0 | 469.0 | 471.0 ²⁾ | 438.0 ¹⁾ | 363.0 ²⁾ | 297.0 ²⁾ | - | - |
| 26 | 435.0 | 432.0 | 435.0 ²⁾ | 420.0 ¹⁾ | 339.0 ²⁾ | 293.0 ²⁾ | 231.0 ²⁾ | - |
| 29 | 395.0 | 391.0 | 395.0 | 394.0 ²⁾ | 313.0 ²⁾ | 274.0 ²⁾ | 231.0 ²⁾ | 198.0 ²⁾ |
| 33 | 346.0 | 342.0 | 344.0 | 346.0 ²⁾ | 283.0 ²⁾ | 252.0 | 219.0 ²⁾ | 197.5 ²⁾ |
| 39 | 292.0 | 287.0 | 289.0 | 292.0 | 249.0 | 220.0 | 198.5 | 181.5 |
| 46 | - | 224.0 | 228.0 | 233.0 | 213.0 | 192.5 | 178.5 | 162.0 |
| 52 | - | 180.0 | 182.5 | 187.0 | 183.0 | 173.0 | 159.0 | 146.5 |
| 59 | - | 142.5 | 144.0 | 149.0 | 146.0 | 147.0 | 143.5 | 131.5 |
| 65 | - | - | 120.0 | 124.5 | 121.5 | 122.5 | 125.5 | 121.0 |
| 72 | - | - | 99.0 | 103.0 | 100.0 | 101.5 | 104.0 | 104.5 |
| 79 | - | - | - | 87.0 | 84.0 | 85.0 | 88.0 | 88.5 |
| 85 | - | - | - | 76.5 | 73.0 | 74.0 | 77.0 | 77.5 |
| 92 | - | - | - | - | 63.0 | 63.5 | 66.0 | 66.5 |
| 98 | - | - | - | - | 55.8 | 56.2 | 58.9 | 59.3 |
| 105 | - | - | - | - | 48.4 | 48.7 | 51.5 | 51.8 |
| 111 | - | - | - | - | - | 43.0 | 45.7 | 45.9 |
| 118 | - | - | - | - | - | 37.7 | 39.9 | 40.0 |
| 124 | - | - | - | - | - | - | 35.7 | 35.9 |
| 131 | - | - | - | - | - | - | 31.6 | 31.4 |
| 138 | - | - | - | - | - | - | - | 27.6 |
| 144 | - | - | - | - | - | - | - | 24.6 |
| 151 | - | - | - | - | - | - | - | 21.7 |

No. of Hoist Lines

| 1) 2x14 | 1) 2x13 | 1) 2x12 | 1) 2x9 | 2) 15/11 | 2) 12/10 | 2) 9/8 | 2) 8/7 |
|---------|----------|----------|----------|----------|----------|--------|--------|
| 26 | 2) 24/20 | 2) 20/16 | 2) 16/13 | | | | |

Sequence of Extended Boom (%)

| | | | | | | | | |
|--------|---|----|----|----|----|----|----|-----|
| 1.Tel. | 0 | 43 | 43 | 43 | 86 | 86 | 86 | 100 |
| 2.Tel. | 0 | 0 | 43 | 43 | 43 | 86 | 86 | 100 |
| 3.Tel. | 0 | 0 | 0 | 43 | 43 | 43 | 86 | 100 |

DS

005

DS = operating mode switch on PAT-console

1) with special equipment and double hook block

2) hoist rope reeved over hoist II

Unpinned capacities: according above chart, but max. 88 200 lb

AC 1600 Capacities on Main Boom
Telescopes pinned

85%

360°

Capacity (lb x 1000) = Load + Hook Block

Counterweight 82 000 lb
Outrigger Base 39 x 39 ft

| Radius (ft) | Main Boom (ft) | | | | | | | |
|-------------|---------------------|---------------------|---------------------|---------------------|---------------------|-------|-------|-------|
| | 52.0 | 68.0 | 84.0 | 100.0 | 116.0 | 132.0 | 148.0 | 164.0 |
| 10 | 659.0 ¹⁾ | - | - | - | - | - | - | - |
| 11 | 648.0 ¹⁾ | 553.0 ²⁾ | - | - | - | - | - | - |
| 13 | 596.0 | 545.0 ²⁾ | - | - | - | - | - | - |
| 15 | 541.0 | 511.0 ²⁾ | 440.0 ²⁾ | - | - | - | - | - |
| 16 | 516.0 | 490.0 | 440.0 ²⁾ | 375.0 ²⁾ | - | - | - | - |
| 19 | 454.0 | 435.0 | 407.0 | 369.0 ²⁾ | 287.0 ²⁾ | - | - | - |
| 23 | 389.0 | 374.0 | 359.0 | 334.0 ²⁾ | 281.0 | 242.0 | - | - |
| 26 | 349.0 | 336.0 | 328.0 | 308.0 | 259.0 | 238.0 | 198.0 | - |
| 29 | 307.0 | 301.0 | 296.0 | 286.0 | 241.0 | 225.0 | 197.5 | 176.0 |
| 33 | 265.0 | 260.0 | 256.0 | 256.0 | 219.0 | 206.0 | 185.0 | 175.5 |
| 39 | 210.0 | 210.0 | 203.0 | 208.0 | 189.5 | 178.0 | 165.5 | 154.0 |
| 46 | - | 159.0 | 152.0 | 160.5 | 157.0 | 150.0 | 143.0 | 131.0 |
| 52 | - | 120.5 | 122.0 | 127.0 | 131.5 | 128.5 | 125.5 | 118.5 |
| 59 | - | 96.5 | 98.5 | 103.5 | 105.5 | 107.0 | 105.5 | 103.5 |
| 65 | - | - | 84.5 | 89.0 | 87.0 | 88.0 | 91.0 | 91.5 |
| 72 | - | - | 68.5 | 73.0 | 70.0 | 71.0 | 74.5 | 75.0 |
| 79 | - | - | - | 60.5 | 58.0 | 58.9 | 62.0 | 62.0 |
| 85 | - | - | - | 52.4 | 48.9 | 49.8 | 53.3 | 53.7 |
| 92 | - | - | - | - | 40.6 | 41.3 | 44.6 | 45.0 |
| 98 | - | - | - | - | 34.8 | 35.2 | 38.3 | 38.8 |
| 105 | - | - | - | - | 29.0 | 29.3 | 32.1 | 32.6 |
| 111 | - | - | - | - | - | 25.0 | 27.9 | 28.1 |
| 118 | - | - | - | - | - | 21.0 | 23.4 | 23.6 |
| 124 | - | - | - | - | - | - | 20.2 | 20.4 |
| 131 | - | - | - | - | - | - | 16.8 | 16.8 |
| 138 | - | - | - | - | - | - | - | 13.8 |
| 144 | - | - | - | - | - | - | - | 11.5 |
| 151 | - | - | - | - | - | - | - | 9.6 |

No. of Hoist Lines

| | | | | | | | |
|---------|----------|----------|----------|----------|----|---|---|
| 1) 2x14 | 2) 23/20 | 2) 18/16 | 2) 15/13 | 2) 12/11 | 10 | 8 | 7 |
| 26 | | | | | | | |

Sequence of Extended Boom (%)

| | | | | | | | | |
|--------|---|----|----|----|----|----|----|-----|
| 1.Tel. | 0 | 43 | 43 | 43 | 86 | 86 | 86 | 100 |
| 2.Tel. | 0 | 0 | 43 | 43 | 43 | 86 | 86 | 100 |
| 3.Tel. | 0 | 0 | 0 | 43 | 43 | 43 | 86 | 100 |

DS 006

DS = operating mode switch on PAT-console

2) hoist rope reeved over hoist II

Unpinned capacities; according above chart, but max. 88 200 lb

Mannesmann
DEMAG Fördertechnik

AC 1600 Capacities on Main Boom Telescopes pinned 85%

Capacity (lb x 1000) = Load + Hook Block 360°

Radius (ft) Main Boom (ft) Counterweight 0 lb
Outrigger Base 39 x 39 ft

| Radius (ft) | 52.0 | 68.0 | 84.0 | 100.0 | 116.0 | 132.0 | 148.0 | 164.0 |
|-------------|-------|-------|-------|-------|-------|-------|-------|-------|
| 10 | 614.0 | - | - | - | - | - | - | - |
| 11 | 597.0 | 476.0 | - | - | - | - | - | - |
| 13 | 527.0 | 465.0 | - | - | - | - | - | - |
| 15 | 469.0 | 419.0 | 352.0 | - | - | - | - | - |
| 16 | 441.0 | 392.0 | 349.0 | 300.0 | - | - | - | - |
| 19 | 372.0 | 334.0 | 304.0 | 278.0 | 233.0 | - | - | - |
| 23 | 303.0 | 275.0 | 257.0 | 246.0 | 222.0 | 189.5 | - | - |
| 26 | 265.0 | 245.0 | 225.0 | 220.0 | 201.0 | 186.0 | 165.5 | - |
| 29 | 234.0 | 220.0 | 201.0 | 200.0 | 184.0 | 171.5 | 162.5 | 144.0 |
| 33 | 168.0 | 160.5 | 165.0 | 174.0 | 162.5 | 151.0 | 144.5 | 135.5 |
| 39 | 103.0 | 96.5 | 100.0 | 107.0 | 103.0 | 104.0 | 108.0 | 108.0 |
| 46 | - | 59.7 | 62.0 | 67.5 | 64.5 | 66.0 | 70.0 | 71.0 |
| 52 | - | 42.6 | 44.4 | 49.5 | 46.6 | 48.0 | 51.5 | 52.0 |
| 59 | - | 28.9 | 30.5 | 34.9 | 32.3 | 33.4 | 36.4 | 37.3 |
| 65 | - | - | 22.4 | 26.4 | 24.0 | 24.9 | 27.9 | 28.4 |
| 72 | - | - | 14.9 | 18.9 | 15.8 | 17.1 | 20.2 | 20.6 |
| 79 | - | - | - | 12.8 | 9.5 | 10.6 | 13.9 | 14.3 |
| 85 | - | - | - | 8.5 | 4.8 | 5.9 | 9.2 | 9.7 |
| 92 | - | - | - | - | - | - | 4.7 | 5.4 |

| No. of Hoist Lines | Sequence of Extended Boom (%) | | | | | | | |
|--------------------|-------------------------------|----|----|----|----|----|----|-----|
| | 26 | 20 | 14 | 12 | 9 | 8 | 7 | 6 |
| 1.Tel. | 0 | 43 | 43 | 43 | 86 | 86 | 86 | 100 |
| 2.Tel. | 0 | 0 | 43 | 43 | 43 | 86 | 86 | 100 |
| 3.Tel. | 0 | 0 | 0 | 43 | 43 | 43 | 86 | 100 |

DS 008

DS = operating mode switch on PAT-console

Unpinned capacities: according above chart, but max. 88 200 lb

AC 1600-SL

Capacities on Main Boom
(with Superlift-Suspension)
Telescopes pinned

85%

360°

Capacity (lb x 1000) = Load + Hook Block

Counterweight 309 000 lb
Outrigger Base 39 x 39 ft

| Radius (ft) | Main Boom (ft) | | | |
|----------------|---------------------|---------------------|---------------------|---------------------|
| | 116.0 | 132.0 | 148.0 | 164.0 |
| 19 | 374.0 ³⁾ | - | - | - |
| 23 | 374.0 ³⁾ | 308.0 ³⁾ | - | - |
| 26 | 374.0 ³⁾ | 308.0 ³⁾ | - | - |
| 29 | 365.0 ³⁾ | 308.0 ³⁾ | 242.0 ³⁾ | - |
| 33 | 347.0 ³⁾ | 308.0 ³⁾ | 242.0 ³⁾ | 198.0 ³⁾ |
| 39 | 325.0 ³⁾ | 296.0 ³⁾ | 238.0 ³⁾ | 197.0 ³⁾ |
| 46 | 284.0 ³⁾ | 273.0 ³⁾ | 226.0 ³⁾ | 187.0 ³⁾ |
| 52 | 253.0 | 250.0 | 212.0 ³⁾ | 177.0 |
| 59 | 222.0 | 222.0 | 197.5 | 164.5 |
| 65 | 202.0 | 202.0 | 182.5 | 153.5 |
| 72 | 180.0 | 181.0 | 165.0 | 141.0 |
| 79 | 161.0 | 162.5 | 152.0 | 131.0 |
| 85 | 145.0 | 149.0 | 143.5 | 122.5 |
| 92 | 126.0 | 134.0 | 131.0 | 112.5 |
| 98 | 108.0 | 121.5 | 122.5 | 106.0 |
| 105 | 81.0 | 107.0 | 112.5 | 98.5 |
| 111 | - | 93.5 | 105.5 | 94.5 |
| 118 | - | 74.5 | 94.0 | 89.0 |
| 124 | - | - | 83.0 | 82.5 |
| 131 | - | - | 69.0 | 77.5 |
| 138 | - | - | - | 71.5 |
| 144 | - | - | - | 61.5 |
| 151 | - | - | - | 47.0 |

No. of Hoist Lines

| | ³⁾ 15/10 | ³⁾ 13/10 | ³⁾ 10/8 | ³⁾ 8/7 |
|-------------------------------|---------------------|---------------------|--------------------|-------------------|
| Sequence of Extended Boom (%) | | | | |
| 1.Tel. | 86 | 86 | 86 | 100 |
| 2.Tel. | 43 | 86 | 86 | 100 |
| 3.Tel. | 43 | 43 | 86 | 100 |

DS

080

DS = operating mode switch on PAT-console

³⁾ Hoist rope reeved over Hoist II

Mannesmann
DEMAG Fördertechnik

AC 1600-SL

Capacities on Main Boom
(with Superlift-Suspension)
Telescopes pinned

85%

360°

Capacity (lb x 1000) = Load + Hook Block

Counterweight 216 000 lb
Outrigger Base 39 x 39 ft

| Radius (ft) | Main Boom (ft) | | | |
|----------------|---------------------|---------------------|---------------------|---------------------|
| | 116.0 | 132.0 | 148.0 | 164.0 |
| 19 | 374.0 ³⁾ | - | - | - |
| 23 | 374.0 ³⁾ | 308.0 ³⁾ | - | - |
| 26 | 374.0 ³⁾ | 308.0 ³⁾ | 242.0 ³⁾ | - |
| 29 | 365.0 ³⁾ | 308.0 ³⁾ | 242.0 ³⁾ | 198.0 ³⁾ |
| 33 | 347.0 ³⁾ | 308.0 ³⁾ | 242.0 ³⁾ | 198.0 ³⁾ |
| 39 | 319.0 ³⁾ | 296.0 ³⁾ | 238.0 ³⁾ | 197.0 ³⁾ |
| 46 | 266.0 | 268.0 ³⁾ | 226.0 ³⁾ | 187.0 ³⁾ |
| 52 | 234.0 | 236.0 | 212.0 ³⁾ | 177.0 |
| 59 | 203.0 | 205.0 | 197.5 | 164.5 |
| 65 | 182.5 | 184.0 | 182.5 | 153.5 |
| 72 | 156.0 | 157.0 | 160.0 | 141.0 |
| 79 | 134.0 | 135.0 | 138.0 | 131.0 |
| 85 | 118.5 | 120.0 | 122.5 | 122.5 |
| 92 | 104.0 | 105.0 | 108.0 | 108.5 |
| 98 | 94.0 | 94.5 | 97.0 | 98.0 |
| 105 | 81.0 | 84.0 | 87.0 | 87.5 |
| 111 | - | 77.0 | 79.0 | 79.5 |
| 118 | - | 69.5 | 71.5 | 71.5 |
| 124 | - | - | 65.5 | 66.0 |
| 131 | - | - | 59.9 | 60.0 |
| 138 | - | - | - | 54.7 |
| 144 | - | - | - | 50.5 |
| 151 | - | - | - | 46.0 |

No. of Hoist Lines

| | ³⁾ 15/12 | ³⁾ 13/10 | ³⁾ 10/8 | ³⁾ 8/7 |
|-------------------------------|---------------------|---------------------|--------------------|-------------------|
| Sequence of Extended Boom (%) | | | | |
| 1. Tel. | 86 | 86 | 86 | 100 |
| 2. Tel. | 43 | 86 | 86 | 100 |
| 3. Tel. | 43 | 43 | 86 | 100 |

DS 082

DS = operating mode switch on PAT-console

³⁾ Hoist rope reeved over hoist II

AC 1600 Capacities on Main Boom
Telescopes pinned

DIN 15019.2
360°

Capacity (lb x 1000) = Load + Hook Block

Counterweight 216 000 lb
Outrigger Base 29 x 28 ft

| Radius (ft) | Main Boom (ft) | | | | | | | |
|----------------|----------------|---------------------|---------------------|---------------------|---------------------|---------------------|---------------------|---------------------|
| | 52.0 | 68.0 | 84.0 | 100.0 | 116.0 | 132.0 | 148.0 | 164.0 |
| 10 | 586.0 | - | - | - | - | - | - | - |
| 11 | 558.0 | 554.0 ²⁾ | - | - | - | - | - | - |
| 13 | 505.0 | 503.0 ²⁾ | - | - | - | - | - | - |
| 15 | 462.0 | 460.0 | 462.0 ²⁾ | - | - | - | - | - |
| 16 | 444.0 | 441.0 | 442.0 ²⁾ | 445.0 ¹⁾ | - | - | - | - |
| 19 | 394.0 | 392.0 | 394.0 | 396.0 ²⁾ | 368.0 ²⁾ | - | - | - |
| 23 | 341.0 | 339.0 | 341.0 | 343.0 ²⁾ | 341.0 ²⁾ | 297.0 ²⁾ | - | - |
| 26 | 311.0 | 308.0 | 309.0 | 313.0 | 311.0 ²⁾ | 277.0 ²⁾ | 232.0 ²⁾ | - |
| 29 | 284.0 | 282.0 | 284.0 | 286.0 | 284.0 | 258.0 | 222.0 ²⁾ | 200.0 ²⁾ |
| 33 | 249.0 | 247.0 | 249.0 | 252.0 | 249.0 | 237.0 | 206.0 | 186.0 ²⁾ |
| 39 | 202.0 | 197.5 | 199.5 | 204.0 | 202.0 | 202.0 | 186.0 | 170.5 |
| 46 | - | 146.0 | 148.0 | 152.0 | 150.0 | 151.0 | 154.5 | 151.5 |
| 52 | - | 118.0 | 119.5 | 123.5 | 121.0 | 122.5 | 125.0 | 125.5 |
| 59 | - | 94.5 | 95.5 | 99.0 | 97.0 | 98.0 | 100.5 | 101.0 |
| 65 | - | - | 80.5 | 84.0 | 82.0 | 83.0 | 85.5 | 86.0 |
| 72 | - | - | 67.5 | 70.5 | 68.0 | 69.0 | 71.5 | 72.0 |
| 79 | - | - | - | 60.0 | 57.8 | 58.5 | 60.5 | 61.0 |
| 85 | - | - | - | 53.0 | 50.6 | 51.2 | 53.5 | 53.9 |
| 92 | - | - | - | - | 43.5 | 43.9 | 46.4 | 46.6 |
| 98 | - | - | - | - | 38.5 | 38.9 | 41.1 | 41.3 |
| 105 | - | - | - | - | 33.7 | 33.9 | 35.9 | 36.1 |
| 111 | - | - | - | - | - | 30.3 | 32.0 | 32.3 |
| 118 | - | - | - | - | - | 26.5 | 28.2 | 28.5 |
| 124 | - | - | - | - | - | - | 25.4 | 25.4 |
| 131 | - | - | - | - | - | - | 22.5 | 22.3 |
| 138 | - | - | - | - | - | - | - | 19.7 |
| 144 | - | - | - | - | - | - | - | 17.9 |
| 151 | - | - | - | - | - | - | - | 15.8 |

| No. of Hoist Lines | 1) 2x9 | | | | | | | |
|--------------------|--------|----------|----------|----------|----------|----------|--------|--------|
| | 26 | 2) 23/20 | 2) 19/16 | 2) 16/13 | 2) 15/11 | 2) 12/10 | 2) 9/8 | 2) 8/7 |

| Sequence of Extended Boom (%) | | | | | | | | |
|-------------------------------|---|----|----|----|----|----|----|-----|
| 1.Tel. | 0 | 43 | 43 | 43 | 86 | 86 | 86 | 100 |
| 2.Tel. | 0 | 0 | 43 | 43 | 43 | 86 | 86 | 100 |
| 3.Tel. | 0 | 0 | 0 | 43 | 43 | 43 | 86 | 100 |

DS 009

DS = operating mode switch on PAT-console

1) with special equipment and double hook block
2) Hoist rope reeved over hoist II

Maximum load on Runner 26 800 lb

AC 1600

Capacities on Main Boom
Telescopes pinned

DIN 15019.2

Capacity (lb x 1000) = Load + Hook Block

360°

| Radius (ft) | Main Boom (ft) | | | | Counterweight | 0 lb |
|----------------|----------------|-------|-------|-------|---------------------------|-------|
| | 52.0 | 68.0 | 84.0 | 100.0 | Outrigger Base 29 x 28 ft | |
| 10 | 330.0 | - | - | - | - | - |
| 11 | 330.0 | 330.0 | - | - | - | - |
| 13 | 330.0 | 330.0 | - | - | - | - |
| 15 | 330.0 | 330.0 | - | - | - | - |
| 16 | 330.0 | 330.0 | 330.0 | 328.0 | - | - |
| | | | | | | 297.0 |
| 19 | 257.0 | 257.0 | 257.0 | 257.0 | 257.0 | 257.0 |
| 23 | 136.0 | 136.0 | 136.0 | 136.0 | 136.0 | 136.0 |
| 26 | 93.5 | 93.5 | 93.5 | 93.5 | 93.5 | 93.5 |
| 29 | 68.0 | 68.0 | 68.0 | 68.0 | 68.0 | 68.0 |
| 33 | 45.7 | 45.7 | 45.7 | 45.7 | 45.7 | 45.7 |
| 39 | 27.5 | 27.5 | 27.5 | 27.5 | 27.5 | 27.5 |
| 46 | - | 15.3 | 15.3 | 15.3 | 15.3 | 15.3 |
| 52 | - | - | - | - | - | 11.3 |

No. of Hoist Lines

14

Sequence of Extended Boom (*)

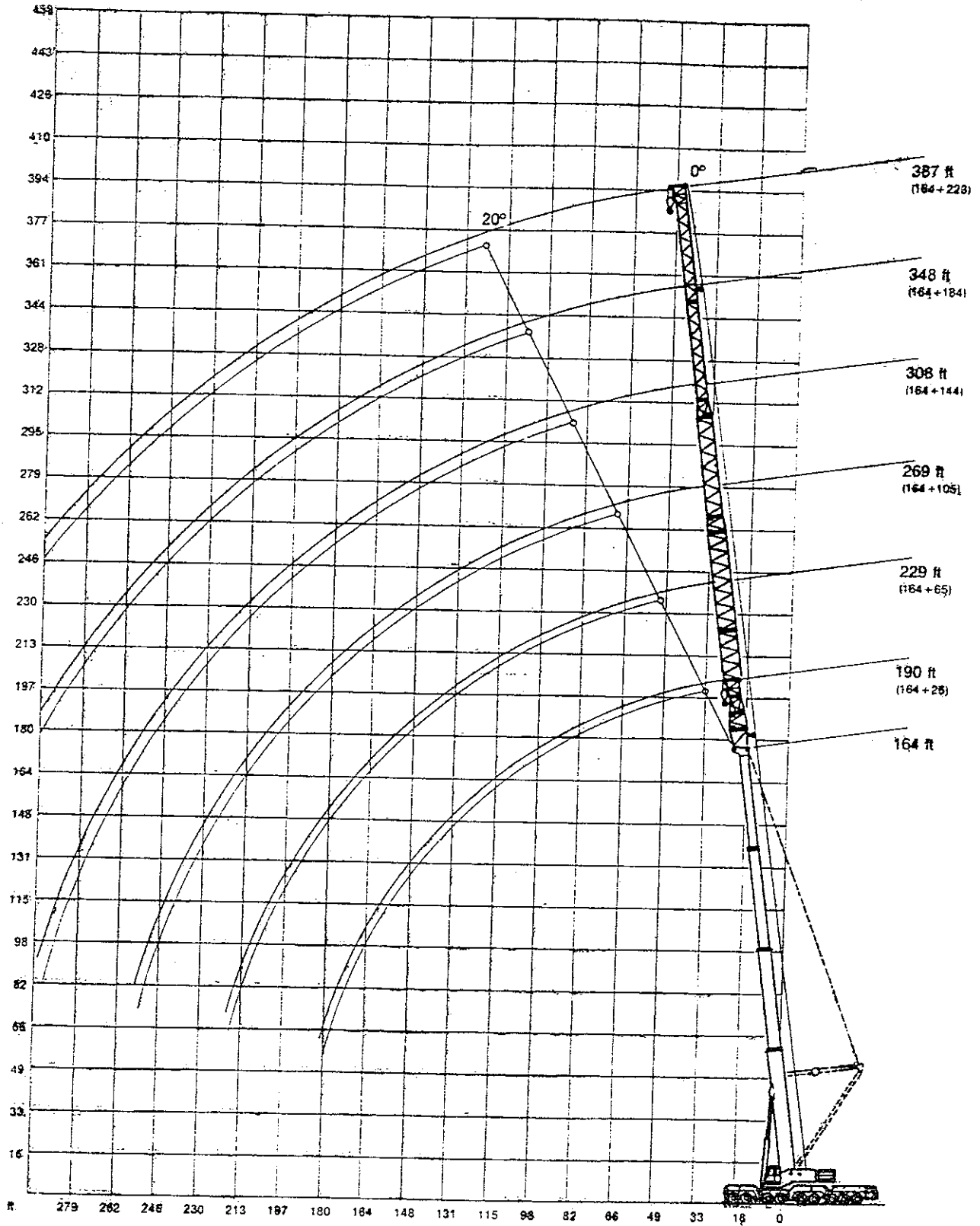
| | | | | |
|--------|---|----|----|----|
| 1.Tel. | 0 | 43 | 43 | 43 |
| 2.Tel. | 0 | 0 | 43 | 43 |
| 3.Tel. | 0 | 0 | 0 | 43 |

DS

012

DS = operating mode switch on PAT-console

Working ranges fixed fly jib



AC 1600

Capacities on Fixed Jib
Telescopes pinned

0° -Pos.

DIN 15019.2

Capacity (lb x 1000) = Load + Hook Block

360°

Main Boom 164.0 ft

Counterweight 216 000 lb
Outrigger Base 39 x 39 ft

| Radius (ft) | Jib (ft) | | | | |
|----------------|----------|------|-------|-------|-------|
| | 26.0 | 65.5 | 105.0 | 144.5 | 184.0 |
| 39 | 121.5 | - | - | - | - |
| 46 | 110.0 | 88.0 | - | - | - |
| 52 | 101.0 | 82.0 | - | - | - |
| 59 | 91.5 | 77.0 | 52.9 | - | - |
| 65 | 84.5 | 70.0 | 50.9 | 34.9 | - |
| 72 | 77.0 | 65.0 | 47.4 | 33.1 | - |
| 79 | 71.0 | 60.0 | 45.1 | 30.7 | 24.6 |
| 85 | 66.0 | 56.4 | 43.0 | 29.1 | 23.2 |
| 92 | 61.5 | 52.1 | 40.6 | 27.5 | 21.5 |
| 98 | 57.6 | 48.7 | 36.6 | 26.1 | 20.3 |
| 111 | 50.9 | 42.1 | 30.6 | 23.2 | 17.9 |
| 124 | 45.4 | 36.8 | 28.7 | 20.8 | 15.7 |
| 138 | 39.6 | 32.5 | 24.6 | 18.7 | 14.0 |
| 151 | 35.2 | 29.3 | 21.5 | 16.9 | 12.5 |
| 164 | 30.8 | 26.4 | 18.7 | 14.1 | 11.4 |
| 177 | - | 23.6 | 16.3 | 12.8 | 9.5 |
| 190 | - | 21.6 | 14.3 | 10.6 | 7.9 |
| 203 | - | 19.8 | 12.1 | 8.8 | 6.6 |
| 216 | - | - | 11.0 | 7.5 | 5.3 |
| 229 | - | - | 9.9 | 6.2 | 4.0 |

No. of Hoist Lines

5 4 2 2 2

DS 220 224 260 264 270

DS = operating mode switch on PAT-console

Mannesmann.
 DEMAG Fördertechnik

AC 1600

Capacities on Fixed Jib
 Telescopes pinned

0° -Pos.

DIN 15019.2

Capacity (lb x 1000) = Load + Hook Block

360°

Main Boom 164.0 ft

Counterweight 126 000 lb
 Outrigger Base 39 x 39 ft

| Radius (ft) | Jib (ft) | | | | |
|--------------------|----------|------|-------|-------|-------|
| | 26.0 | 65.5 | 105.0 | 144.5 | 184.0 |
| 39 | 121.5 | - | - | - | - |
| 46 | 110.0 | 88.0 | - | - | - |
| 52 | 101.0 | 82.0 | - | - | - |
| 59 | 91.5 | 77.0 | 52.9 | - | - |
| 65 | 84.5 | 70.0 | 50.9 | 34.9 | - |
| 72 | 77.0 | 65.0 | 47.4 | 33.1 | - |
| 79 | 71.0 | 60.0 | 45.1 | 30.7 | 24.6 |
| 85 | 66.0 | 56.4 | 43.0 | 29.1 | 23.2 |
| 92 | 61.5 | 52.1 | 40.6 | 27.5 | 21.5 |
| 98 | 55.1 | 48.7 | 36.6 | 26.1 | 20.3 |
| 111 | 42.2 | 42.1 | 30.6 | 23.2 | 17.9 |
| 124 | 32.4 | 36.0 | 28.7 | 20.8 | 15.7 |
| 138 | 24.1 | 27.9 | 24.6 | 18.7 | 14.0 |
| 151 | 18.2 | 21.7 | 21.5 | 16.9 | 12.5 |
| 164 | 13.6 | 16.7 | 17.6 | 14.1 | 11.4 |
| 177 | - | 12.8 | 13.2 | 12.8 | 9.5 |
| 190 | - | 9.3 | 9.9 | 10.2 | 7.9 |
| 203 | - | 6.4 | 6.9 | 7.1 | 6.6 |
| 216 | - | - | 4.2 | 4.5 | 3.8 |
| No. of Hoist Lines | 5 | 4 | 2 | 2 | 2 |
| DS | 222 | 226 | 262 | 266 | 272 |

DS = operating mode switch on PAT-console

AC 1600

Capacities on Fixed Jib
Telescopes pinned

20°-Pos.

DIN 15019.2

Capacity (lb x 1000) = Load + Hook Block

360°

Main Boom 164.0 ft

Counterweight 216 000 lb
Outrigger Base 39 x 39 ft

Radius
(ft)

Jib (ft)

26.0

65.5

105.0

144.5

| | | | | |
|-----|------|------|------|------|
| 52 | 94.0 | - | - | - |
| 59 | 87.0 | - | - | - |
| 65 | 82.0 | - | - | - |
| 72 | 75.0 | 48.5 | - | - |
| 79 | 70.0 | 47.5 | - | - |
| 85 | 65.5 | 46.1 | - | - |
| 92 | 60.0 | 43.1 | - | - |
| 98 | 55.4 | 40.9 | 32.0 | - |
| 111 | 49.2 | 37.6 | 29.2 | - |
| 124 | 43.2 | 34.3 | 26.8 | 21.0 |
| 138 | 37.4 | 31.6 | 24.2 | 18.4 |
| 151 | 33.0 | 28.6 | 22.0 | 16.9 |
| 164 | 29.7 | 25.3 | 19.8 | 15.4 |
| 177 | - | 23.1 | 18.1 | 14.1 |
| 190 | - | 20.7 | 16.1 | 12.8 |
| 203 | - | 18.8 | 14.3 | 11.5 |
| 216 | - | - | 12.6 | 10.4 |
| 229 | - | - | 11.1 | 9.3 |
| 243 | - | - | 9.9 | 7.9 |
| 256 | - | - | - | 6.8 |
| 269 | - | - | - | 5.5 |

No. of Hoist Lines

4

2

2

2

DS

320

324

360

364

DS = operating mode switch on PAT-console

Mannesmann
 DEMAG Fördertechnik

AC 1600

Capacities on Fixed Jib
 Telescopes pinned

20°-Pos.

DIN 15019.2

Capacity (lb x 1000) = Load + Hook Block

360°

Main Boom 164.0 ft

Counterweight 126 000 lb
 Outrigger Base 39 x 39 ft

| Radius (ft) | Jib (ft) | | | |
|---------------------------|----------|------|-------|-------|
| | 26.0 | 65.5 | 105.0 | 144.5 |
| 52 | 94.0 | - | - | - |
| 59 | 87.0 | - | - | - |
| 65 | 82.0 | - | - | - |
| 72 | 75.0 | 48.5 | - | - |
| 79 | 70.0 | 47.5 | - | - |
| 85 | 65.5 | 46.1 | - | - |
| 92 | 60.0 | 43.1 | - | - |
| 98 | 55.4 | 40.9 | 32.0 | - |
| 111 | 44.3 | 37.6 | 29.2 | - |
| 124 | 34.0 | 34.3 | 26.8 | 21.0 |
| 138 | 25.4 | 31.6 | 24.2 | 18.4 |
| 151 | 19.3 | 24.8 | 22.0 | 16.9 |
| 164 | 14.1 | 19.4 | 19.8 | 15.4 |
| 177 | - | 14.8 | 17.4 | 14.1 |
| 190 | - | 10.8 | 13.3 | 12.8 |
| 203 | - | 7.6 | 9.8 | 11.5 |
| 216 | - | - | 6.7 | 8.5 |
| 229 | - | - | 3.8 | 5.6 |
| No. of Hoist Lines | | | | |
| | 4 | 2 | 2 | 2 |
| DS | | | | |
| | 322 | 326 | 362 | 366 |

DS = operating mode switch on PAT-console

AC 1000

Capacities on Fixed Jib
 Telescopes pinned

20° -Pos.

DIN 15019.2

Capacity (lb x 1000) = Load + Hook Block

360°

Outrigger Base 39 x 39 ft

Main Boom 148.0 ft (Sequence (%) 86-86-86)

Counterweight 216 000 lb

Counterweight 126 000 lb

| Radius (ft) | Counterweight 216 000 lb | | Counterweight 126 000 lb | |
|----------------|--------------------------|------|--------------------------|------|
| | Jib (ft) | | Jib (ft) | |
| | 26.0 | 65.5 | 26.0 | 65.5 |
| 52 | 106.0 | - | 106.0 | - |
| 59 | 99.0 | - | 99.0 | - |
| 65 | 93.0 | - | 93.0 | - |
| 72 | 86.0 | 52.9 | 86.0 | 52.9 |
| 79 | 79.0 | 51.7 | 76.5 | 51.7 |
| 85 | 73.0 | 50.1 | 67.0 | 50.1 |
| 92 | 68.0 | 48.4 | 57.6 | 48.4 |
| 98 | 64.0 | 46.8 | 50.9 | 46.8 |
| 111 | 57.5 | 43.5 | 39.5 | 43.5 |
| 124 | 51.0 | 40.2 | 30.8 | 36.3 |
| 138 | 43.9 | 36.9 | 23.7 | 28.5 |
| 151 | 37.4 | 33.9 | 18.4 | 22.6 |
| 164 | - | 30.8 | - | 18.5 |
| 177 | - | 28.4 | - | 14.8 |
| 190 | - | 25.8 | - | 11.1 |

| No. of Hoist Lines | 4 | 2 | 4 | 2 |
|--------------------|---|---|---|---|
|--------------------|---|---|---|---|

| DS | 320 | 324 | 322 | 326 |
|----|-----|-----|-----|-----|
|----|-----|-----|-----|-----|

DS = operating mode switch on PAT-console

AC 1600

Capacities on Fixed Jib
 Telescopes pinned

20° -Pos.

DIN 15019.2

Capacity (lb x 1000) = Load + Hook Block

360°

Outrigger Base 39 x 39 ft

Main Boom 132.0 ft (Sequence (%) 86-86-43)

Counterweight 216 000 lb

Counterweight 126 000 lb

| Radius (ft) | Jib (ft) | | Jib (ft) | |
|--------------------|----------|------|----------|------|
| | 26.0 | 65.5 | 26.0 | 65.5 |
| 52 | 124.0 | - | 124.0 | - |
| 59 | 114.5 | - | 114.5 | - |
| 65 | 106.5 | - | 106.5 | - |
| 72 | 97.0 | 58.4 | 90.0 | 58.4 |
| 79 | 90.0 | 56.1 | 75.5 | 56.1 |
| 85 | 84.0 | 54.5 | 65.5 | 54.5 |
| 92 | 77.0 | 52.8 | 56.2 | 52.8 |
| 98 | 70.5 | 51.0 | 49.6 | 51.0 |
| 111 | 62.0 | 47.5 | 38.1 | 44.8 |
| 124 | 54.4 | 44.2 | 29.5 | 35.9 |
| 138 | 43.9 | 40.5 | 22.3 | 28.3 |
| 151 | - | 37.0 | - | 22.6 |
| 164 | - | 33.9 | - | 18.0 |
| 177 | - | 30.4 | - | 14.1 |
| No. of Hoist Lines | 5 | 3 | 5 | 3 |
| DS | 320 | 324 | 322 | 326 |

DS = operating mode switch on PAT-console

AC 1600-SL Capacities on Fixed Jib
with Superlift
Telescopes pinned

0°-Pos.

DIN 15019.2

Capacity (lb x 1000) = Load + Hook Block

360°

Main Boom 164.0 ft

Counterweight 309 000 lb
Outrigger Base 39 x 39 ft

| Radius (ft) | Jib (ft) | | | | | |
|--------------------|----------|------|-------|-------|-------|-------|
| | 26.0 | 65.5 | 105.0 | 144.5 | 184.0 | 223.5 |
| 39 | 121.5 | - | - | - | - | - |
| 46 | 115.5 | 88.0 | - | - | - | - |
| 52 | 112.5 | 86.0 | 55.1 | - | - | - |
| 59 | 108.0 | 82.5 | 54.0 | - | - | - |
| 65 | 106.0 | 80.5 | 52.0 | 35.3 | - | - |
| 72 | 102.5 | 77.0 | 50.7 | 34.6 | 26.4 | - |
| 79 | 99.0 | 74.5 | 49.5 | 33.9 | 25.7 | - |
| 85 | 96.0 | 72.5 | 48.5 | 33.1 | 25.3 | 13.2 |
| 92 | 92.5 | 70.5 | 47.3 | 32.3 | 24.6 | 13.0 |
| 98 | 89.5 | 68.0 | 46.3 | 31.7 | 24.2 | 12.8 |
| 111 | 82.5 | 63.0 | 44.1 | 30.2 | 23.1 | 12.5 |
| 124 | 77.0 | 58.6 | 40.9 | 28.7 | 22.1 | 12.1 |
| 138 | 69.0 | 53.9 | 38.5 | 27.3 | 20.9 | 11.9 |
| 151 | 61.5 | 49.5 | 36.3 | 25.7 | 19.8 | 11.6 |
| 164 | 54.2 | 45.2 | 34.1 | 24.4 | 18.7 | 11.2 |
| 177 | - | 40.8 | 31.9 | 23.1 | 17.6 | 11.0 |
| 190 | - | 36.4 | 29.8 | 21.6 | 16.5 | 10.5 |
| 203 | - | 33.1 | 27.6 | 20.3 | 15.4 | 9.9 |
| 216 | - | - | 24.3 | 18.8 | 14.3 | 9.4 |
| 229 | - | - | 22.1 | 17.4 | 13.2 | 8.8 |
| 243 | - | - | - | 16.0 | 12.1 | 8.1 |
| 256 | - | - | - | 14.5 | 11.0 | 7.7 |
| 269 | - | - | - | 13.2 | 9.9 | 7.0 |
| 282 | - | - | - | - | 8.8 | 6.6 |
| 295 | - | - | - | - | 7.7 | 5.9 |
| 308 | - | - | - | - | - | 5.3 |
| 321 | - | - | - | - | - | 4.6 |
| No. of Hoist Lines | 5 | 4 | 2 | 2 | 2 | 2 |
| DS | 284 | 290 | 294 | 296 | 218 | 288 |

DS = operating mode switch on PAT-console

AC 1600-SL Capacities on Fixed Jib
with Superlift
Telescopes pinned

0°-Pos.

DIN 15019.2

Capacity (lb x 1000) = Load + Hook Block

360°

Main Boom 164.0 ft

Counterweight 216 000 lb
Outrigger Base 39 x 39 ft

| Radius (ft) | Jib (ft) | | | | | |
|--------------------|----------|------|-------|-------|-------|-------|
| | 26.0 | 65.5 | 105.0 | 144.5 | 184.0 | 223.5 |
| 39 | 121.5 | - | - | - | - | - |
| 46 | 115.5 | 88.0 | - | - | - | - |
| 52 | 112.5 | 86.0 | 55.1 | - | - | - |
| 59 | 108.0 | 82.5 | 54.0 | - | - | - |
| 65 | 106.0 | 80.5 | 52.0 | 35.3 | - | - |
| 72 | 102.5 | 77.0 | 50.7 | 34.6 | 26.4 | - |
| 79 | 99.0 | 74.5 | 49.5 | 33.9 | 25.7 | - |
| 85 | 96.0 | 72.5 | 48.5 | 33.1 | 25.3 | 13.2 |
| 92 | 92.5 | 70.5 | 47.3 | 32.3 | 24.6 | 13.0 |
| 98 | 89.5 | 68.0 | 46.3 | 31.7 | 24.2 | 12.8 |
| 111 | 74.5 | 63.0 | 44.1 | 30.2 | 23.1 | 12.5 |
| 124 | 61.5 | 58.6 | 40.9 | 28.7 | 22.1 | 12.1 |
| 138 | 50.3 | 53.8 | 38.5 | 27.3 | 20.9 | 11.9 |
| 151 | 41.6 | 45.3 | 36.3 | 25.7 | 19.8 | 11.6 |
| 164 | 34.6 | 38.1 | 34.1 | 24.4 | 18.7 | 11.2 |
| 177 | - | 32.2 | 31.9 | 23.1 | 17.6 | 11.0 |
| 190 | - | 27.2 | 28.0 | 21.6 | 16.5 | 10.5 |
| 203 | - | 23.0 | 23.7 | 20.3 | 15.4 | 9.9 |
| 216 | - | - | 19.7 | 18.8 | 14.3 | 9.4 |
| 229 | - | - | 16.6 | 16.8 | 13.2 | 8.8 |
| 243 | - | - | - | 13.8 | 12.1 | 8.1 |
| 256 | - | - | - | 11.2 | 10.5 | 7.7 |
| 269 | - | - | - | 8.8 | 8.1 | 7.0 |
| 282 | - | - | - | - | 6.1 | 6.1 |
| 295 | - | - | - | - | 4.2 | 4.2 |
| No. of Hoist Lines | 5 | 4 | 2 | 2 | 2 | 2 |
| DS | 286 | 292 | 295 | 297 | 219 | 289 |

DS = operating mode switch on PAT-console

AC 1600-SL Capacities on Fixed Jib
 with Superlift
 Telescopes pinned

20° -Pos.

DIN 15019.2

Capacity (lb x 1000) = Load + Hook Block

360°

Main Boom 164.0 ft

Counterweight 216 000 lb
 Outrigger Base 39 x 39 ft

| Radius (ft) | Jib (ft) | | | | |
|--------------------|----------|------|-------|-------|-------|
| | 26.0 | 65.5 | 105.0 | 144.5 | 184.0 |
| 52 | 95.0 | - | - | - | - |
| 59 | 91.5 | - | - | - | - |
| 65 | 88.0 | - | - | - | - |
| 72 | 83.5 | 50.7 | - | - | - |
| 79 | 80.0 | 49.5 | - | - | - |
| 85 | 77.0 | 48.5 | - | - | - |
| 92 | 74.5 | 47.3 | 35.2 | - | - |
| 98 | 71.5 | 46.3 | 34.2 | - | - |
| 111 | 66.0 | 45.2 | 33.1 | 23.2 | - |
| 124 | 60.5 | 44.1 | 30.9 | 21.6 | - |
| 138 | 51.6 | 40.7 | 28.6 | 20.7 | 16.5 |
| 151 | 42.7 | 38.5 | 26.4 | 19.8 | 15.4 |
| 164 | 35.3 | 35.2 | 25.3 | 18.7 | 14.3 |
| 177 | - | 32.0 | 24.2 | 17.6 | 13.6 |
| 190 | - | 28.7 | 22.0 | 16.5 | 12.8 |
| 203 | - | 24.1 | 20.9 | 15.4 | 11.9 |
| 216 | - | - | 18.8 | 14.3 | 11.0 |
| 229 | - | - | 17.6 | 13.2 | 10.3 |
| 243 | - | - | 14.9 | 11.8 | 9.6 |
| 256 | - | - | - | 10.5 | 9.0 |
| 269 | - | - | - | 9.4 | 8.5 |
| 282 | - | - | - | 8.1 | 7.9 |
| 295 | - | - | - | - | 6.8 |
| 308 | - | - | - | - | 4.6 |
| No. of Hoist Lines | 4 | 2 | 2 | 2 | 2 |
| DS | 386 | 392 | 395 | 397 | 319 |

DS = operating mode switch on PAT-console

AC 1600-SL Capacities on Fixed Jib
with Superlift
Telescopes pinned

20° -Pos.

DEN 15019.2

Capacity (lb x 1000) = Load + Hook Block

360°

Outrigger Base 39 x 39 ft

Main Boom 148.0 ft (Sequence (%) 86-86-86)

Counterweight 309 000 lb

Counterweight 216 000 lb

| Radius (ft) | Jib (ft) | | Jib (ft) | |
|---------------------------|----------|------|----------|------|
| | 26.0 | 65.5 | 26.0 | 65.5 |
| 52 | 114.5 | - | 114.5 | - |
| 59 | 110.0 | - | 110.0 | - |
| 65 | 107.0 | - | 107.0 | - |
| 72 | 103.5 | 58.4 | 103.5 | 58.4 |
| 79 | 99.0 | 57.2 | 99.0 | 57.2 |
| 85 | 95.0 | 56.2 | 95.0 | 56.2 |
| 92 | 90.0 | 55.0 | 90.0 | 55.0 |
| 98 | 84.0 | 54.0 | 83.5 | 54.0 |
| 111 | 75.0 | 52.7 | 67.5 | 52.7 |
| 124 | 64.5 | 50.8 | 55.7 | 50.8 |
| 138 | 53.8 | 48.9 | 45.5 | 48.8 |
| 151 | 45.1 | 47.3 | 37.8 | 42.9 |
| 164 | - | 45.8 | - | 36.6 |
| 177 | - | 44.1 | - | 31.1 |
| 190 | - | 42.3 | - | 26.5 |
| No. of Hoist Lines | | | | |
| | 5 | 3 | 5 | 3 |
| DS | | | | |
| | 384 | 390 | 386 | 392 |

DS = operating mode switch on PAT-console

AC 1600

Capacities on Fixed Jib
Telescopes pinned

0°-Pos.

DIN 15019.2

Capacity (lb x 1000) = Load + Hook Block

360°

Main Boom 164.0 ft

Counterweight 216 000 lb
Outrigger Base 29 x 28 ft

Radius
(ft)

Jib (ft)

26.0 65.5

| | | |
|-----|-------|------|
| 39 | 121.5 | - |
| 46 | 110.0 | 88.0 |
| 52 | 101.0 | 82.0 |
| 59 | 91.5 | 77.0 |
| 65 | 84.5 | 70.0 |
| 72 | 77.0 | 65.0 |
| 79 | 66.5 | 60.0 |
| 85 | 58.6 | 56.4 |
| 92 | 50.5 | 51.7 |
| 98 | 44.9 | 47.6 |
| 111 | 35.0 | 37.8 |
| 124 | 27.5 | 30.1 |
| 138 | 20.8 | 23.7 |
| 151 | 15.6 | 18.7 |
| 164 | 11.2 | 14.3 |
| 177 | - | 10.6 |
| 190 | - | 7.3 |
| 203 | - | 4.7 |

No. of Hoist Lines

5

4

DS

223

227

DS = operating mode switch on PAT-console

AC 1600

Capacities on Fixed Jib
Telescopes pinned

20°-Pos.

DIN 15019.2

Capacity (lb x 1000) = Load + Hook Block

360°

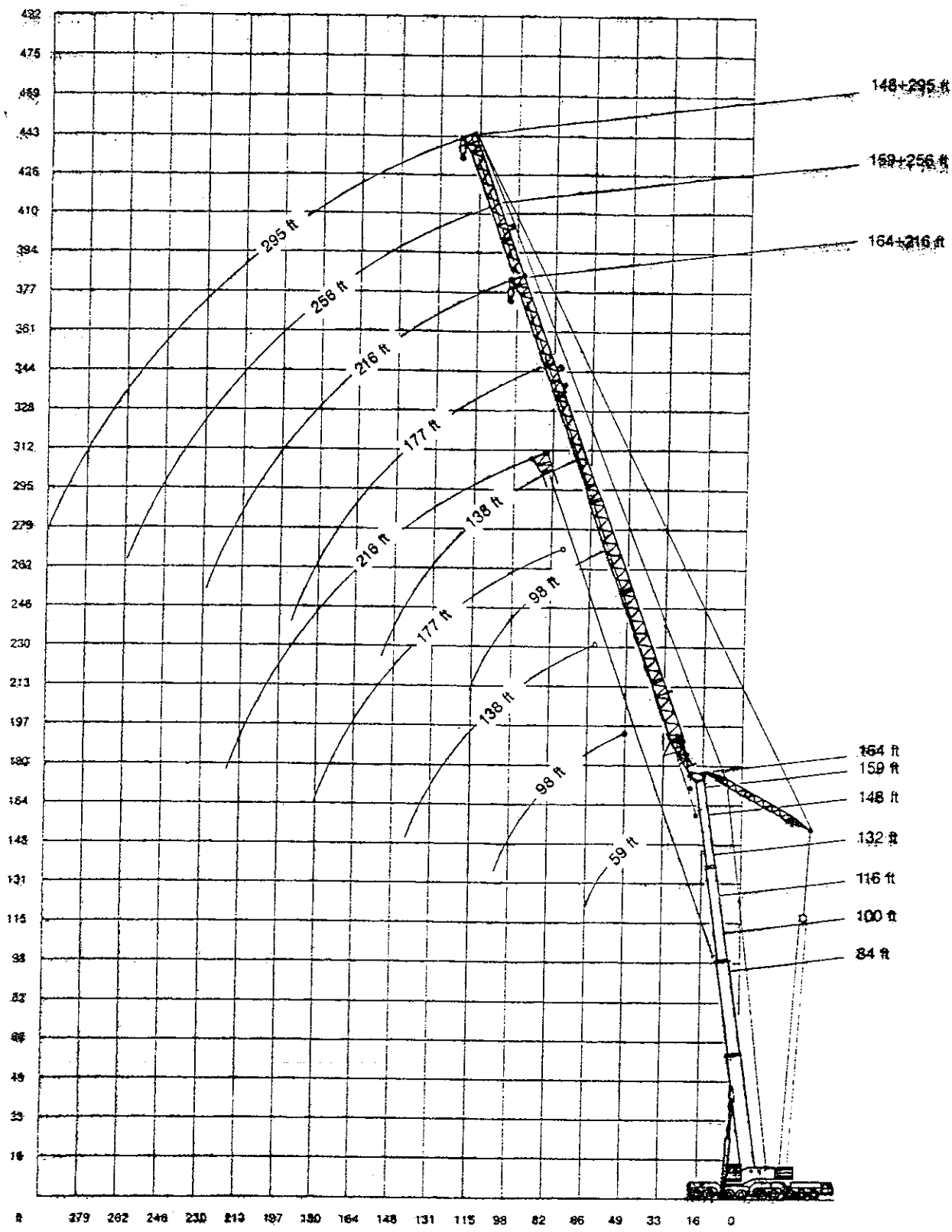
Main Boom 164.0 ft

Counterweight 216 000 lb
Outrigger Base 29 x 28 ft

| Radius (ft) | Jib (ft) | |
|---------------------------|----------|------|
| | 26.0 | 65.5 |
| 52 | 94.0 | - |
| 59 | 87.0 | - |
| 65 | 82.0 | - |
| 72 | 75.0 | 48.5 |
| 79 | 70.0 | 47.5 |
| 85 | 60.5 | 46.1 |
| 92 | 52.9 | 43.1 |
| 98 | 46.9 | 40.9 |
| 111 | 36.5 | 37.6 |
| 124 | 28.8 | 33.2 |
| 138 | 21.9 | 26.5 |
| 151 | 16.5 | 21.3 |
| 164 | 11.9 | 16.7 |
| 177 | - | 12.6 |
| 190 | - | 8.9 |
| 203 | - | 5.8 |
| No. of Hoist Lines | | |
| | 4 | 2 |
| DS | | |
| | 323 | 327 |

DS = operating mode switch on PAT-console

Lifting capacities during fly jib, main boom 82°



Mannesmann
DEMAG Fördertechnik

AC 1600

Capacities on Luffing Fly Jib
Telescopes pinned

DIN 15019.2

Capacity (lb x 1000) = Load + Hook Block

360°

Main Boom 84.0 ft (Sequence (%) 43-43-0)

Main Boom Position 82°

Counterweight 216 000 lb
Outrigger Base 39 x 39 ft

| Radius (ft) | Jib (ft) | | | | |
|--------------------|--------------------|--------------------|-------|-------|-------|
| | 59.0 ¹⁾ | 98.5 ²⁾ | 138.0 | 177.5 | 217.0 |
| 39 | 277.0 | - | - | - | - |
| 46 | 248.0 | - | - | - | - |
| 52 | 213.0 | 187.0 | - | - | - |
| 59 | 181.0 | 187.0 | 121.0 | - | - |
| 65 | 142.0 | 176.5 | 121.0 | - | - |
| 72 | - | 157.5 | 121.0 | 81.5 | - |
| 79 | - | 141.5 | 121.0 | 81.5 | - |
| 85 | - | 130.0 | 121.0 | 81.5 | 55.1 |
| 92 | - | 118.0 | 121.0 | 81.5 | 53.9 |
| 98 | - | 106.0 | 112.0 | 81.5 | 52.9 |
| 111 | - | - | 96.5 | 81.5 | 50.7 |
| 124 | - | - | 83.5 | 80.5 | 48.6 |
| 138 | - | - | 70.5 | 70.5 | 46.2 |
| 151 | - | - | - | 62.5 | 44.0 |
| 164 | - | - | - | 56.0 | 41.8 |
| 177 | - | - | - | 46.6 | 39.7 |
| 190 | - | - | - | - | 37.5 |
| 203 | - | - | - | - | 35.3 |
| No. of Hoist Lines | 11/6* | 8/4* | 5 | 4 | 3 |
| DS | 430 | 431 | 432 | 433 | 634 |

DS = operating mode switch on PAT-console

EE = 10

Luffing mast 49.0 ft

1) hook block and add. ballast on jib head must be at least 13 400 lb

2) min. weight of hook block 4000 lb (3 sheaves)

* minimum no. of hoist lines

single line pull = 24 800 lb

8316, 24.09.1991 18,5,16

398 773 40 - 1 US

AC 1600

Capacities on Luffing Fly Jib
Telescopes pinned

DIN 15019.2

Capacity (lb x 1000) = Load + Hook Block

360°

Main Boom 100.0 ft (Sequence (%) 43-43-43)

Main Boom Position 82°

Counterweight 216 000 lb
Outrigger Base 39 x 39 ft

| Radius (ft) | Jib (ft) | | | | |
|--------------------|--------------------|-------|-------|-------|---------------------|
| | 98.5 ²⁾ | 138.0 | 177.5 | 217.0 | 256.5 ³⁾ |
| 52 | 154.0 | - | - | - | - |
| 59 | 153.0 | 99.0 | - | - | - |
| 65 | 152.0 | 99.0 | - | - | - |
| 72 | 151.0 | 99.0 | 66.0 | - | - |
| 79 | 148.0 | 99.0 | 66.0 | - | - |
| 85 | 135.5 | 99.0 | 66.0 | 50.7 | - |
| 92 | 123.0 | 99.0 | 66.0 | 50.7 | 33.0 |
| 98 | 113.0 | 99.0 | 66.0 | 50.7 | 33.0 |
| 111 | - | 95.5 | 66.0 | 50.7 | 33.0 |
| 124 | - | 83.0 | 66.0 | 48.6 | 33.0 |
| 138 | - | 72.0 | 66.0 | 46.2 | 33.0 |
| 151 | - | - | 62.0 | 42.9 | 33.0 |
| 164 | - | - | 55.5 | 40.7 | 30.8 |
| 177 | - | - | 50.1 | 38.6 | 28.6 |
| 190 | - | - | - | 36.4 | 27.5 |
| 203 | - | - | - | 35.3 | 26.4 |
| 216 | - | - | - | 34.2 | 25.3 |
| 229 | - | - | - | - | 24.3 |
| 243 | - | - | - | - | 23.1 |
| No. of Hoist Lines | 6/4* | 4 | 3 | 2 | 2 |
| DS | 431 | 432 | 433 | 634 | 635 |

DS = operating mode switch on PAT-console

EE = 10

Luffing mast 49.0 ft

2) min. weight of hook block 4000 lb (3 sheaves)

3) max. wind speed 13.3 m/h

* minimum No. of Hoist Lines

single line pull = 24 800 lb

AS 1600

Capacities on Luffing Fly Jib
Telescopes pinned

DIN 15019.2

Capacity (lb x 1000) = Load + Hook Block

360°

Main Boom 116.0 ft (Sequence (%) 86-43-43)

Main Boom Position 82°

Counterweight 216 000 lb
Outrigger Base 39 x 39 ft

| Radius (ft) | Jib (ft) | | | | |
|---------------------------|--------------------|-------|-------|-------|---------------------|
| | 98.5 ²⁾ | 138.0 | 177.5 | 217.0 | 256.5 ³⁾ |
| 52 | 132.0 | - | - | - | - |
| 59 | 132.0 | - | - | - | - |
| 65 | 132.0 | 88.0 | - | - | - |
| 72 | 132.0 | 88.0 | - | - | - |
| 79 | 129.5 | 88.0 | 61.5 | - | - |
| 85 | 127.5 | 88.0 | 61.5 | - | - |
| 92 | 121.0 | 88.0 | 61.5 | 44.0 | - |
| 98 | 111.0 | 88.0 | 61.5 | 44.0 | - |
| 111 | - | 88.0 | 61.5 | 44.0 | 28.6 |
| 124 | - | 81.0 | 61.5 | 44.0 | 28.6 |
| 138 | - | 71.0 | 61.5 | 44.0 | 28.6 |
| 151 | - | - | 61.0 | 44.0 | 28.6 |
| 164 | - | - | 54.4 | 41.8 | 28.6 |
| 177 | - | - | 49.2 | 39.7 | 28.6 |
| 190 | - | - | - | 37.5 | 28.6 |
| 203 | - | - | - | 35.3 | 27.5 |
| 216 | - | - | - | 33.1 | 26.5 |
| 229 | - | - | - | - | 25.4 |
| 243 | - | - | - | - | 24.2 |
| No. of Hoist Lines | | | | | |
| | 6/4* | 4 | 3 | 2 | 2 |
| DS | | | | | |
| | 431 | 432 | 433 | 634 | 635 |

DS = operating mode switch on PAT-console

EE = 10'

Luffing mast 49.0 ft

2) min. weight of hook block 4000 lb (3 sheaves)

3) max. wind speed 13.3 m/h

* minimum No. of Hoist Lines

single line pull = 24 800 lb

AC 1600

Capacities on Luffing Fly Jib
Telescopes pinned

DIN 15019.2

Capacity (lb x 1000) = Load + Hook Block

360°

Main Boom 132.0 ft (Sequence (%) 86-86-43)

Main Boom Position 82°

Counterweight 216 000 lb
Outrigger Base 39 x 39 ft

| Radius (ft) | Jib (ft) | | | | |
|--------------------|--------------------|-------|-------|-------|---------------------|
| | 98.5 ²⁾ | 138.0 | 177.5 | 217.0 | 256.5 ³⁾ |
| 59 | 110.0 | - | - | - | - |
| 65 | 110.0 | - | - | - | - |
| 72 | 109.0 | 74.5 | - | - | - |
| 79 | 107.5 | 74.5 | 52.9 | - | - |
| 85 | 105.5 | 74.5 | 52.9 | - | - |
| 92 | 103.5 | 74.5 | 52.9 | 37.4 | - |
| 98 | 101.5 | 74.5 | 52.9 | 37.4 | - |
| 111 | - | 74.5 | 52.9 | 37.4 | 26.4 |
| 124 | - | 74.5 | 52.9 | 37.4 | 26.4 |
| 138 | - | 70.0 | 52.9 | 37.4 | 26.4 |
| 151 | - | - | 52.9 | 37.4 | 26.4 |
| 164 | - | - | 52.9 | 37.4 | 26.4 |
| 177 | - | - | 48.5 | 37.4 | 26.4 |
| 190 | - | - | - | 37.4 | 26.4 |
| 203 | - | - | - | 37.4 | 26.4 |
| 216 | - | - | - | 37.4 | 26.4 |
| 229 | - | - | - | 35.1 | 26.4 |
| 243 | - | - | - | - | 25.3 |
| 256 | - | - | - | - | 24.2 |
| No. of Hoist Lines | 5/4* | 3 | 2 | 2 | 2 |
| DS | 431 | 432 | 433 | 634 | 635 |

DS = operating mode switch on PAT-console

EE = 10

Luffing mast 49.0 ft

2) min. weight of hook block 4000 lb (3 sheaves)

3) max. wind speed 13.3 m/h

* minimum No. of Hoist Lines

single line pull = 24 800 lb

AC 1600

Capacities on Luffing Fly Jib
 Telescopes pinned

DIN 15019.2

Capacity (lb x 1000) = Load + Hook Block

360°

Main Boom 148.0 ft (Sequence (%) 86-86-86)

Main Boom Position 82°

Counterweight 216 000 lb
 Outrigger Base 39 x 39 ft

| Radius (ft) | Jib (ft) | | | | |
|--------------------|--------------------|-------|-------|-------|---------------------|
| | 98.5 ²⁾ | 138.0 | 177.5 | 217.0 | 256.5 ³⁾ |
| 59 | 90.0 | - | - | - | - |
| 65 | 90.0 | - | - | - | - |
| 72 | 89.0 | 61.5 | - | - | - |
| 79 | 88.0 | 61.5 | - | - | - |
| 85 | 86.0 | 61.5 | 44.0 | - | - |
| 92 | 84.5 | 61.5 | 44.0 | - | - |
| 98 | 83.5 | 61.5 | 44.0 | 31.9 | - |
| 111 | 80.5 | 61.5 | 44.0 | 31.9 | 22.0 |
| 124 | - | 61.5 | 44.0 | 31.9 | 22.0 |
| 138 | - | 61.5 | 44.0 | 31.9 | 22.0 |
| 151 | - | - | 44.0 | 31.9 | 22.0 |
| 164 | - | - | 44.0 | 31.9 | 22.0 |
| 177 | - | - | 44.0 | 31.9 | 22.0 |
| 190 | - | - | - | 31.9 | 22.0 |
| 203 | - | - | - | 31.9 | 22.0 |
| 216 | - | - | - | 31.9 | 22.0 |
| 229 | - | - | - | - | 22.0 |
| 243 | - | - | - | - | 22.0 |
| 256 | - | - | - | - | 22.0 |
| No. of Hoist Lines | 4 | 3 | 2 | 2 | 2 |
| DS | 431 | 432 | 433 | 634 | 635 |

DS = operating mode switch on PAT-console

EE = 10

Luffing mast 49.0 ft

²⁾ min. weight of hook block 4000 lb (3 sheaves)

³⁾ max. wind speed 13.3 m/h

single line pull = 24 800 lb

AC 1600 Capacities on Luffing Fly Jib
Telescopes pinned

DIN 15019.2

Capacity (lb x 1000) = Load + Hook Block

360°

Main Boom Position 82°

Counterweight 216 000 lb
Outrigger Base 39 x 39 ft

Main Boom 164.0 ft
(Sequence (%) 100-100-100)

Main Boom 159.0 ft
(Sequence (%) 100-100-86)

| Radius (ft) | Main Boom 164.0 ft (Sequence (%) 100-100-100) | | | | Main Boom 159.0 ft (Sequence (%) 100-100-86) |
|---------------------------|--|--------------------|-------|-------|---|
| | Jib (ft) | 98.5 ²⁾ | 138.0 | 177.5 | |
| | | | | | 256.5 ³⁾ |
| 65 | 72.5 | - | - | - | - |
| 72 | 72.5 | - | - | - | - |
| 79 | 72.5 | 48.5 | - | - | - |
| 85 | 72.5 | 48.5 | - | - | - |
| 92 | 70.0 | 48.5 | 35.2 | - | - |
| 98 | 68.0 | 48.5 | 35.2 | 23.1 | - |
| 111 | 64.0 | 48.5 | 35.2 | 23.1 | - |
| 124 | - | 48.5 | 35.2 | 23.1 | 17.6 |
| 138 | - | 46.2 | 35.2 | 23.1 | 17.6 |
| 151 | - | 44.0 | 35.2 | 23.1 | 17.6 |
| 164 | - | - | 34.1 | 23.1 | 17.6 |
| 177 | - | - | 33.0 | 23.1 | 17.6 |
| 190 | - | - | - | 23.1 | 17.6 |
| 203 | - | - | - | 23.1 | 17.6 |
| 216 | - | - | - | 23.1 | 17.6 |
| 229 | - | - | - | - | 17.6 |
| 243 | - | - | - | - | 17.6 |
| 256 | - | - | - | - | 17.6 |
| No. of Hoist Lines | | | | | |
| | 3 | 2 | 2 | 2 | 2 |
| DS | | | | | |
| | 431 | 432 | 433 | 634 | 635 |

DS = operating mode switch on PAT-console

EE = 10

Luffing mast 49.0 ft

2) min. weight of hook block 4000 lb (3 sheaves)

3) max. wind speed 13.3 m/h

single line pull = 24 800 lb

AC 1600

Capacities on Luffing Fly Jib
 Telescopes pinned

DIN 15019.2

Capacity (lb x 1000) = Load + Hook Block

360°

Jib 295.0 ft³⁾

Main Boom Position 82°

Counterweight 216 000 lb
 Outrigger Base 39 x 39 ft

| Radius (ft) | Main Boom (ft) | | | |
|----------------|----------------|-------|-------|-------|
| | 100.0 | 116.0 | 132.0 | 148.0 |
| 111 | 22.0 | 17.6 | - | - |
| 124 | 21.5 | 17.4 | 13.2 | 8.8 |
| 138 | 20.9 | 17.1 | 13.2 | 8.8 |
| 151 | 20.3 | 16.9 | 13.2 | 8.8 |
| 164 | 19.8 | 16.9 | 13.2 | 8.8 |
| 177 | 19.1 | 16.7 | 13.2 | 8.8 |
| 190 | 18.5 | 16.5 | 13.2 | 8.8 |
| 203 | 17.8 | 16.3 | 13.2 | 8.8 |
| 216 | 17.2 | 16.3 | 13.2 | 8.8 |
| 229 | 16.7 | 16.1 | 13.2 | 8.8 |
| 243 | 16.3 | 15.8 | 13.2 | 8.8 |
| 256 | 15.8 | 15.6 | 13.2 | 8.8 |
| 269 | 15.6 | 15.4 | 13.2 | 8.8 |
| 282 | 15.4 | 14.9 | 13.2 | 8.8 |
| 295 | 15.2 | 14.3 | 13.2 | 8.8 |

| No. of Hoist Lines | 1 | 1 | 1 | 1 |
|--------------------|---|---|---|---|
|--------------------|---|---|---|---|

| Sequence of Extended Boom (%) | 43 | 86 | 86 | 86 |
|-------------------------------|----|----|----|----|
| | 43 | 43 | 86 | 86 |
| | 43 | 43 | 43 | 86 |

DS 636

DS = operating mode switch on PAT-console

EE = 10
 Luffing mast 49.0 ft

³⁾ max. wind speed 11.1 m/h

Mannesmann
DEMAG Fördertechnik

AC 1600

Capacities on Luffing Fly Jib
Telescopes pinned

DIN 15019.2

Capacity (lb x 1000) = Load + Hook Block

360°

Main Boom 100.0 ft (Sequence (%) 43-43-43)

Main Boom Position 82°

| Radius (ft) | Jib (ft) | Counterweight | |
|--------------------|--------------------|--------------------------------|-------|
| | | 216 000 lb | |
| | | red. Outrigger Base 29 x 28 ft | |
| | 98.5 ²⁾ | 138.0 | 177.5 |
| 52 | 155.0 | - | - |
| 59 | 129.0 | 99.0 | - |
| 65 | 112.5 | 99.0 | - |
| 72 | 97.0 | 95.5 | 66.0 |
| 79 | 85.5 | 84.0 | 66.0 |
| 85 | 77.0 | 76.0 | 66.0 |
| 92 | 69.5 | 67.5 | 66.0 |
| 98 | 63.5 | 62.0 | 60.0 |
| 111 | - | 52.2 | 50.2 |
| 124 | - | 44.6 | 42.7 |
| 138 | - | 38.4 | 36.3 |
| 151 | - | - | 31.5 |
| 164 | - | - | 27.7 |
| 177 | - | - | 24.5 |
| No. of Hoist Lines | 6/4* | 4 | 3 |
| DS | 451 | 452 | 453 |

DS = operating mode switch on PAT-console

EE = 10

Luffing mast 49.0 ft

2) Min. weight of hook block 4000 lb (3 sheaves)

* Minimum No. of Hoist Lines

Single line pull = 26 800 lb

AC 1600

Capacities on Luffing Fly Jib
 Telescopes pinned

DIN 15019.2

Capacity (lb x 1000) = Load + Hook Block

360°

Main Boom 116.0 ft (Sequence (%) 86-43-43)

Main Boom Position 82°

| Radius (ft) | Jib (ft) | | Counterweight red. Outrigger Base | 216 000 lb 29 x 28 ft |
|--------------------|--------------------|-------|--------------------------------------|--------------------------|
| | 98.5 ²⁾ | 138.0 | 177.5 | |
| 52 | 132.5 | - | - | |
| 59 | 126.0 | - | - | |
| 65 | 110.0 | 88.0 | - | |
| 72 | 95.0 | 88.0 | - | |
| 79 | 83.5 | 82.0 | 61.5 | |
| 85 | 75.5 | 74.0 | 61.5 | |
| 92 | 67.5 | 66.0 | 61.5 | |
| 98 | 62.0 | 60.5 | 58.4 | |
| 111 | - | 50.8 | 48.9 | |
| 124 | - | 43.5 | 41.3 | |
| 138 | - | 37.3 | 35.2 | |
| 151 | - | - | 30.6 | |
| 164 | - | - | 26.6 | |
| 177 | - | - | 23.6 | |
| <hr/> | | | | |
| No. of Hoist Lines | 6/4* | 4 | 3 | |
| <hr/> | | | | |
| DS | 451 | 452 | 453 | |

DS = operating mode switch on PAT-console

EE = 10

Luffing mast 49.0 ft

2) Min. weight of hook block 4000 lb (3 sheaves)

* Minimum No. of Hoist Lines

Single line pull = 26 800 lb

AC 1600

Capacities on Luffing Fly Jib
 Telescopes pinned

DIN 15019.2

Capacity (lb x 1000) = Load + Hook Block

360°

Main Boom 132.0 ft (Sequence (%) 86-86-43)

Main Boom Position 82°

| Radius (ft) | Jib (ft) | | Counterweight red. Outrigger Base | 216 000 lb 29 x 28 ft |
|--------------------|--------------------|-------|--------------------------------------|--------------------------|
| | 98.5 ²⁾ | 138.0 | 177.5 | |
| 59 | 110.0 | - | - | |
| 65 | 107.0 | - | - | |
| 72 | 93.5 | 74.5 | - | |
| 79 | 82.0 | 74.5 | 52.9 | |
| 85 | 74.0 | 72.5 | 52.9 | |
| 92 | 66.5 | 65.0 | 52.9 | |
| 98 | 61.0 | 59.4 | 52.9 | |
| 111 | - | 50.0 | 47.6 | |
| 124 | - | 42.7 | 40.4 | |
| 138 | - | 36.5 | 34.3 | |
| 151 | - | - | 29.7 | |
| 164 | - | - | 26.0 | |
| 177 | - | - | 22.9 | |
| <hr/> | | | | |
| No. of Hoist Lines | 5/4 [*] | 3 | 2 | |
| <hr/> | | | | |
| DS | 451 | 452 | 453 | |

DS = operating mode switch on PAT-console

EE = 10
 Luffing mast 49.0 ft

2) Min. weight of hook block 4000 lb (3 sheaves)

* Minimum No. of Hoist Lines

Single line pull = 26 800 lb

AC 1600

Capacities on Luffing Fly Jib
 Telescopes pinned

DIN 15019.2

Capacity (lb x 1000) = Load + Hook Block

360°

Main Boom 148.0 ft (Sequence (%) 86-86-86)

Main Boom Position 82°

| Radius (ft) | Jib (ft) | Counterweight red. Outrigger Base 216 000 lb 29 x 28 ft | |
|--------------------|--------------------|---|-------|
| | 98.5 ²⁾ | 138.0 | 177.5 |
| 59 | 90.0 | - | - |
| 65 | 90.0 | - | - |
| 72 | 89.0 | 61.5 | - |
| 79 | 81.0 | 61.5 | - |
| 85 | 73.0 | 61.5 | 44.0 |
| 92 | 65.5 | 61.5 | 44.0 |
| 98 | 60.0 | 58.6 | 44.0 |
| 111 | 51.0 | 49.3 | 44.0 |
| 124 | - | 42.0 | 39.7 |
| 138 | - | 36.0 | 33.8 |
| 151 | - | - | 29.3 |
| 164 | - | - | 25.5 |
| 177 | - | - | 22.5 |
| <hr/> | | | |
| No. of Hoist Lines | 4 | 3 | 2 |
| <hr/> | | | |
| DS | 451 | 452 | 453 |

DS = operating mode switch on PAT-console

EE = 10

Luffing mast 49.0 ft

2) Min. weight of hook block 4000 lb (3 sheaves)

single line pull = 26 800 lb

Mannesmann
DEMAG Fördertechnik

AC 1600

Capacities on Luffing Fly Jib
Telescopes pinned

DIN 15019.2

Capacity (lb x 1000) = Load + Hook Block

360°

Main Boom 164.0 ft (Sequence (%) 100-100-100)

Main Boom Position 82°

| Radius (ft) | Jib (ft) | Counterweight | |
|---------------------------|--------------------|--|-------|
| | | 216 000 lb red. Outrigger Base 29 x 28 ft | |
| | 98.5 ²⁾ | 138.0 | 177.5 |
| 65 | 72.5 | - | - |
| 72 | 72.5 | - | - |
| 79 | 72.5 | 48.5 | - |
| 85 | 71.5 | 48.5 | - |
| 92 | 64.5 | 48.5 | 35.2 |
| 98 | 59.2 | 48.5 | 35.2 |
| 111 | 49.9 | 47.8 | 35.2 |
| 124 | - | 41.1 | 35.2 |
| 138 | - | 35.2 | 32.9 |
| 151 | - | 30.8 | 28.4 |
| 164 | - | - | 24.9 |
| 177 | - | - | 21.8 |
| No. of Hoist Lines | | | |
| | 3 | 2 | 2 |
| DS | | | |
| | 451 | 452 | 453 |

DS = operating mode switch on PAT-console

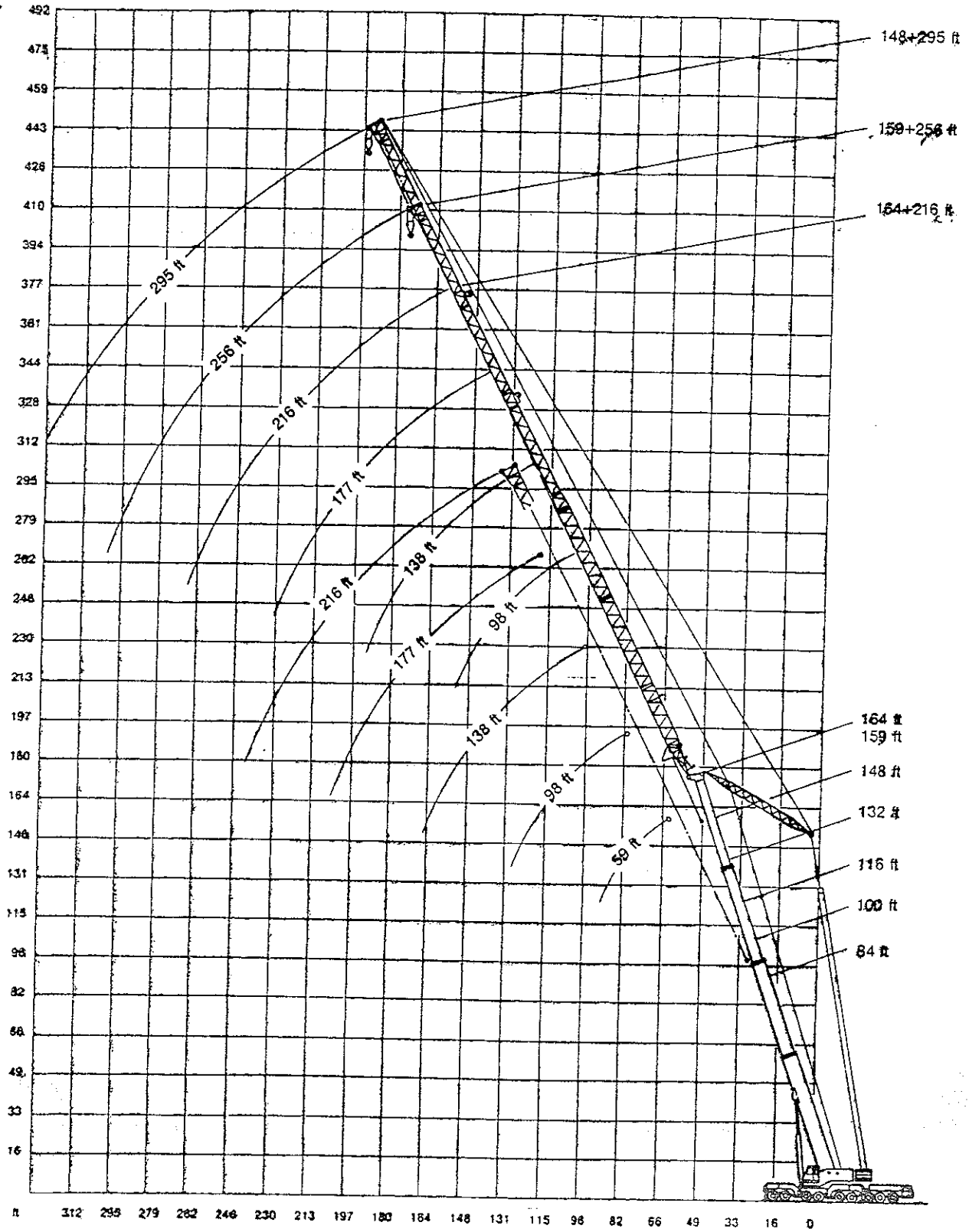
EE = 10

Luffing mast 49.0 ft

2) Min. weight of hook block 4000 lb (3 sheaves)

Single line pull = 26 800 lb

Lifting capacities luffing fly jib, main boom 70°



AC 1600

Capacities on Luffing Fly Jib
 Telescopes pinned

DIN 15019.2

Capacity (lb x 1000) = Load + Hook Block

360°

Main Boom 84.0 ft (Sequence (%) 43-43-0)

Main Boom Position 70°

Counterweight 216 000 lb
 Outrigger Base 39 x 39 ft

| Radius (ft) | Jib (ft) | | | | |
|----------------|--------------------|--------------------|-------|-------|-------|
| | 59.0 ¹⁾ | 98.5 ²⁾ | 138.0 | 177.5 | 217.0 |
| 59 | 176.5 | - | - | - | - |
| 65 | 127.0 | - | - | - | - |
| 72 | 86.5 | - | - | - | - |
| 79 | 60.5 | - | - | - | - |
| 85 | - | 118.0 | - | - | - |
| 92 | - | 106.0 | - | - | - |
| 98 | - | 97.5 | 95.5 | - | - |
| 111 | - | 82.5 | 80.5 | - | - |
| 118 | - | 73.5 | 74.5 | - | - |
| 124 | - | - | 69.0 | 66.5 | - |
| 138 | - | - | 59.8 | 57.6 | 44.0 |
| 151 | - | - | 53.0 | 50.6 | 42.9 |
| 157 | - | - | 49.0 | 48.0 | 42.3 |
| 164 | - | - | - | 44.9 | 41.8 |
| 177 | - | - | - | 40.4 | 39.0 |
| 190 | - | - | - | 36.4 | 35.1 |
| 197 | - | - | - | 33.6 | 33.2 |
| 203 | - | - | - | - | 31.6 |
| 216 | - | - | - | - | 28.5 |
| 229 | - | - | - | - | 26.1 |
| 236 | - | - | - | - | 24.3 |

| No. of Hoist Lines | DS | | | | |
|--------------------|-------|------|-----|-----|-----|
| | 11/6* | 8/4* | 5 | 4 | 3 |
| DS | 430 | 431 | 432 | 433 | 634 |

DS = operating mode switch on PAT-console

EE = 10

Luffing mast 49.0 ft

1) Hook Block and add. Ballast on Jib Head must be at least 13 400 lb

2) Min. weight of hook block 4000 lb (3 sheaves)

* Minimum No. of Hoist Lines

AC 1600

Capacities on Luffing Fly Jib
Telescopes pinned

DIN 15019.2

Capacity (lb x 1000) = Load + Hook Block

360°

Main Boom 100.0 ft (Sequence (%) 43-43-43)

Main Boom Position 70°

Counterweight 216 000 lb
Outrigger Base 39 x 39 ft

| Radius (ft) | Jib (ft) | | | | |
|--------------------|--------------------|-------|-------|-------|---------------------|
| | 98.5 ²⁾ | 138.0 | 177.5 | 217.0 | 256.5 ³⁾ |
| 85 | 116.0 | - | - | - | - |
| 92 | 104.5 | - | - | - | - |
| 98 | 95.5 | - | - | - | - |
| 111 | 81.0 | 78.5 | - | - | - |
| 124 | 70.0 | 68.0 | 64.0 | - | - |
| 138 | - | 58.7 | 56.3 | 46.2 | - |
| 151 | - | 51.9 | 49.5 | 42.9 | - |
| 164 | - | 46.3 | 43.8 | 40.7 | 29.9 |
| 177 | - | - | 39.3 | 37.9 | 28.6 |
| 190 | - | - | 35.3 | 34.0 | 27.5 |
| 203 | - | - | 32.0 | 30.7 | 26.4 |
| 216 | - | - | - | 27.8 | 25.3 |
| 229 | - | - | - | 25.2 | 23.4 |
| 243 | - | - | - | 22.8 | 21.1 |
| 256 | - | - | - | - | 19.1 |
| 269 | - | - | - | - | 17.4 |
| 282 | - | - | - | - | 15.6 |
| <hr/> | | | | | |
| No. of Hoist Lines | 6/4* | 4 | 3 | 2 | 2 |
| <hr/> | | | | | |
| DS | 431 | 432 | 433 | 634 | 635 |

DS = operating mode switch on PAT-console

EE = 10

Luffing mast 49.0 ft

2) min. weight of hook block 4000 lb (3 sheaves)

3) max. wind speed 13.3 m/h

* minimum No. of Hoist Lines

AC 1600

Capacities on Luffing Fly Jib
 Telescopes pinned

DIN 15019.2

Capacity (lb x 1000) = Load + Hook Block

360°

Main Boom 116.0 ft (Sequence (%) 86-43-43)

Main Boom Position 70°

Counterweight 216 000 lb
 Outrigger Base 39 x 39 ft

| Radius (ft) | Jib (ft) | | | | |
|--------------------|--------------------|-------|-------|-------|---------------------|
| | 98.5 ²⁾ | 138.0 | 177.5 | 217.0 | 256.5 ³⁾ |
| 98 | 91.5 | - | - | - | - |
| 111 | 77.5 | 75.5 | - | - | - |
| 124 | 67.0 | 64.5 | - | - | - |
| 131 | 61.5 | 60.0 | - | - | - |
| 138 | - | 55.8 | 53.4 | - | - |
| 151 | - | 49.3 | 46.9 | 40.1 | - |
| 164 | - | 44.1 | 41.6 | 38.5 | - |
| 170 | - | 42.0 | 39.6 | 37.3 | - |
| 177 | - | - | 37.1 | 35.9 | - |
| 190 | - | - | 33.3 | 32.0 | 26.2 |
| 203 | - | - | 30.0 | 28.7 | 25.5 |
| 210 | - | - | 28.6 | 27.1 | 24.6 |
| 216 | - | - | - | 25.9 | 24.0 |
| 229 | - | - | - | 23.4 | 21.7 |
| 243 | - | - | - | 21.1 | 19.5 |
| 256 | - | - | - | - | 17.6 |
| 269 | - | - | - | - | 15.8 |
| 282 | - | - | - | - | 14.3 |
| <hr/> | | | | | |
| No. of Hoist Lines | 6/4* | 4 | 3 | 2 | 2 |
| <hr/> | | | | | |
| DS | 431 | 432 | 433 | 634 | 635 |

DS = operating mode switch on PAT-console

EE = 10

Luffing mast 49.0 ft

2) min. weight of hook block 4000 lb (3 sheaves)

3) max. wind speed 13.3 m/h

* minimum No. of Hoist Lines

Mannesmann
DEMAG Fördertechnik

AC 1600

Capacities on Luffing Fly Jib
Telescopes pinned

DIN 15019.2

Capacity (lb x 1000) = Load + Hook Block

360°

Main Boom 132.0 ft (Sequence (%) 86-86-43)

Main Boom Position 70°

Counterweight 216 000 lb
Outrigger Base 39 x 39 ft

| Radius (ft) | Jib (ft) | | | | |
|--------------------|--------------------|-------|-------|-------|---------------------|
| | 98.5 ²⁾ | 138.0 | 177.5 | 217.0 | 256.5 ³⁾ |
| 98 | 81.5 | - | - | - | - |
| 111 | 75.0 | - | - | - | - |
| 124 | 64.5 | 60.5 | - | - | - |
| 138 | 56.0 | 54.1 | - | - | - |
| 151 | - | 47.5 | 44.0 | - | - |
| 164 | - | 42.5 | 39.9 | 35.0 | - |
| 177 | - | 38.1 | 35.5 | 34.1 | - |
| 190 | - | - | 31.8 | 30.7 | 26.4 |
| 203 | - | - | 28.7 | 27.4 | 25.6 |
| 216 | - | - | 26.1 | 24.8 | 23.0 |
| 229 | - | - | - | 22.3 | 20.6 |
| 243 | - | - | - | 20.0 | 18.2 |
| 256 | - | - | - | 18.2 | 16.5 |
| 269 | - | - | - | - | 14.7 |
| 282 | - | - | - | - | 13.0 |
| 295 | - | - | - | - | 11.7 |
| No. of Hoist Lines | 5/4* | 3 | 2 | 2 | 2 |
| DS | 431 | 432 | 433 | 634 | 635 |

DS = operating mode switch on PAT-console

EE = 10

Luffing mast 49.0 ft

2) min. weight of hook block 4000 lb (3 sheaves)

3) max. wind speed 13.3 m/h

* minimum No. of Hoist Lines

Mannesmann
DEMAG Fördertechnik

AC 1500

Capacities on Luffing Fly Jib
Telescopes pinned

DIN 15019.2

Capacity (lb x 1000) = Load + Hook Block

360°

Main Boom 148,0 ft (Sequence (%) 86-86-86)

Main Boom Position 70°

Counterweight 216 000 lb
Outrigger Base 39 x 39 ft

| Radius (ft) | Jib (ft) | | | | |
|--------------------|--------------------|-------|-------|-------|---------------------|
| | 98.5 ²⁾ | 138.0 | 177.5 | 217.0 | 256.5 ³⁾ |
| 111 | 63.0 | - | - | - | - |
| 124 | 57.6 | 50.8 | - | - | - |
| 138 | 53.9 | 47.3 | - | - | - |
| 151 | - | 44.0 | 35.2 | - | - |
| 164 | - | 41.4 | 33.0 | 29.7 | - |
| 177 | - | 37.0 | 31.9 | 28.6 | - |
| 190 | - | - | 30.8 | 27.5 | - |
| 203 | - | - | 27.8 | 26.4 | 19.8 |
| 216 | - | - | 25.0 | 23.9 | 19.2 |
| 229 | - | - | - | 21.5 | 18.5 |
| 243 | - | - | - | 19.3 | 17.3 |
| 256 | - | - | - | 17.4 | 15.4 |
| 269 | - | - | - | - | 13.6 |
| 282 | - | - | - | - | 12.1 |
| 295 | - | - | - | - | 10.6 |
| No. of Hoist Lines | 4 | 3 | 2 | 2 | 2 |
| DS | 431 | 432 | 433 | 634 | 635 |

DS = operating mode switch on PAT-console

EE = 10

Luffing mast 49.0 ft

2) min. weight of hook block 4000 lb (3 sheaves)

3) max. wind speed 13.3 m/h

AC 1600 Capacities on Luffing Fly Jib
Telescopes pinned

DIN 15019.2

Capacity (lb x 1000) = Load + Hook Block

360°

Main Boom Position 70°

Counterweight 216 000 lb
Outrigger Base 39 x 39 ft

Main Boom 164.0 ft
(Sequence (%) 100-100-100)

Main Boom 159.0 ft
(Sequence (%) 100-100-86)

| Radius (ft) | Jib (ft) | | | | 256.5 ³⁾ |
|--------------------|----------|-------|-------|-------|---------------------|
| | 98.52) | 138.0 | 177.5 | 217.0 | |
| 124 | 47.6 | - | - | - | - |
| 138 | 42.8 | 35.2 | - | - | - |
| 144 | 38.8 | 34.2 | - | - | - |
| 151 | - | 33.0 | - | - | - |
| 164 | - | 30.8 | 22.0 | - | - |
| 177 | - | 29.7 | 22.0 | 18.7 | - |
| 184 | - | 27.4 | 21.5 | 18.2 | - |
| 190 | - | - | 21.1 | 17.8 | - |
| 203 | - | - | 20.9 | 17.2 | 12.1 |
| 216 | - | - | 20.5 | 16.1 | 11.4 |
| 223 | - | - | 19.6 | 15.6 | 11.0 |
| 229 | - | - | - | 15.2 | 10.6 |
| 243 | - | - | - | 14.7 | 9.9 |
| 256 | - | - | - | 14.3 | 8.8 |
| 262 | - | - | - | 13.9 | 8.6 |
| 269 | - | - | - | - | 8.3 |
| 282 | - | - | - | - | 7.9 |
| 295 | - | - | - | - | 7.5 |
| 302 | - | - | - | - | 7.0 |
| No. of Hoist Lines | | | | | |
| | 3 | 2 | 2 | 2 | 2 |
| DS | 431 | 432 | 433 | 634 | 635 |

DS = operating mode switch on PAT-console

EE = 10

Luffing mast 49.0 ft

2) min. weight of hook block 4000 lb (3 sheaves)

3) max. wind speed 13.3 m/h

Mannesmann
DEMAG Fördertechnik

AC 1600

Capacities on Luffing Fly Jib
Telescopes pinned

DIN 15019.2

Capacity (lb x 1000) = Load + Hook Block

360°

Jib 295.0 ft³⁾

Main Boom Position

70°

Counterweight 216 000 lb
Outrigger Base 39 x 39 ft

Radius
(ft)

Main Boom (ft)

132.0 148.0

| | | |
|-----|------|-----|
| 203 | 13.2 | - |
| 216 | 13.2 | 8.8 |
| 229 | 13.2 | 8.8 |
| 243 | 13.2 | 8.8 |
| 256 | 13.2 | 8.8 |
| 269 | 13.2 | 8.8 |
| 282 | 13.0 | 8.8 |
| 295 | 12.5 | 8.8 |
| 308 | 11.7 | 8.8 |
| 321 | 10.6 | 8.3 |
| 328 | 9.9 | 8.1 |

No. of Hoist Lines

1 1

Sequence of Extended Boom (%)

86 86
86 86
43 86

DS

636

DS = operating mode switch on PAT-console

EE = 10

Luffing mast 49.0 ft

3) max. wind speed 11.1 m/h

Mannesmann
DEMAG Fördertechnik

AC 1600-SL Capacities on Luffing Fly Jib
(with Superlift-Suspension)
Telescopes pinned

DIN 15019.2

Capacity (lb x 1000) = Load + Hook Block

360°

Main Boom 116.0 ft (Sequence (%) 86-43-43)

Main Boom Position 70°

Counterweight 309,000 lb
Outrigger Base 39 x 39 ft

| Radius (ft) | Jib (ft) | | | |
|--------------------|--------------------|-------|-------|-------|
| | 98.5 ²⁾ | 138.0 | 177.5 | 217.0 |
| 92 | 102.4 | - | - | - |
| 98 | 101.4 | - | - | - |
| 105 | 100.3 | 84.8 | - | - |
| 111 | 99.3 | 82.8 | - | - |
| 118 | 97.0 | 80.5 | - | - |
| 124 | 93.0 | 78.4 | 59.5 | - |
| 131 | 88.3 | 76.1 | 59.5 | - |
| 138 | - | 74.9 | 59.5 | - |
| 144 | - | 73.9 | 59.5 | - |
| 151 | - | 72.7 | 59.5 | 39.9 |
| 157 | - | 68.6 | 59.5 | 39.9 |
| 164 | - | 65.0 | 59.5 | 39.6 |
| 170 | - | 62.0 | 58.3 | 39.4 |
| 177 | - | - | 57.1 | 39.0 |
| 190 | - | - | 51.9 | 37.9 |
| 203 | - | - | 47.5 | 36.4 |
| 210 | - | - | 42.9 | 35.7 |
| 216 | - | - | - | 35.1 |
| 229 | - | - | - | 34.0 |
| 243 | - | - | - | 33.2 |
| <hr/> | | | | |
| No. of Hoist Lines | 6/4* | 4 | 3 | 2 |
| DS | 831 | 832 | 833 | 834 |

DS = operating mode switch on PAT-console

Luffing mast 49.0 ft

EE = 10

2) min. weight of hook block 4000 lb (3 sheaves)

* min. no. of hoist lines

AC 1600-SL Capacities on Luffing Fly Jib
 (with Superlift-Suspension)
 Telescopes pinned

DIN 15019.2

Capacity (lb x 1000) = Load + Hook Block

360°

Main Boom 132.0 ft (Sequence (%) 86-86-43)

Main Boom Position 70°

Counterweight 309,000 lb
 Outrigger Base 39 x 39 ft

| Radius (ft) | Jib (ft) | | | |
|--------------------|--------------------|-------|-------|-------|
| | 98.5 ²⁾ | 138.0 | 177.5 | 217.0 |
| 98 | 94.0 | - | - | - |
| 105 | 88.1 | - | - | - |
| 111 | 85.1 | 72.7 | - | - |
| 118 | 81.6 | 72.7 | - | - |
| 124 | 78.6 | 72.7 | - | - |
| 131 | 77.2 | 72.7 | - | - |
| 138 | 74.8 | 71.6 | 48.5 | - |
| 144 | - | 71.6 | 48.5 | - |
| 151 | - | 70.5 | 48.2 | - |
| 157 | - | 67.4 | 47.8 | 34.1 |
| 164 | - | 63.5 | 47.1 | 34.1 |
| 177 | - | 55.2 | 45.6 | 34.1 |
| 190 | - | - | 44.1 | 34.1 |
| 203 | - | - | 42.8 | 34.1 |
| 216 | - | - | 41.9 | 34.1 |
| 229 | - | - | - | 34.1 |
| 243 | - | - | - | 34.1 |
| 256 | - | - | - | 34.1 |
| No. of Hoist Lines | 5/4* | 3 | 2 | 2 |
| DS | 831 | 832 | 833 | 834 |

DS = operating mode switch on PAT-console

Luffing mast 49.0 ft
 EE = 10

2) min. weight of hook block 4000 lb (3 sheaves)

* min. no. of hoist lines

Mannesmann
 DEMAG Fördertechnik

AC 1600-SL Capacities on Luffing Fly Jib
 (with Superlift-Suspension)
 Telescopes pinned

DIN 15019.2

Capacity (lb x 1000) = Load + Hook Block

360°

Main Boom 148.0 ft (Sequence (%) 86-86-86)

Main Boom Position 70°

Counterweight 309,000 lb
 Outrigger Base 39 x 39 ft

| Radius (ft) | Jib (ft) | | | |
|--------------------|--------------------|-------|-------|-------|
| | 98.5 ²⁾ | 138.0 | 177.5 | 217.0 |
| 105 | 77.1 | - | - | - |
| 111 | 73.1 | - | - | - |
| 118 | 70.5 | 54.6 | - | - |
| 124 | 67.5 | 53.4 | - | - |
| 131 | 65.7 | 52.2 | - | - |
| 138 | 63.8 | 51.3 | 38.5 | - |
| 144 | - | 50.7 | 38.5 | - |
| 151 | - | 50.0 | 38.5 | - |
| 157 | - | 49.4 | 38.5 | - |
| 164 | - | 48.9 | 38.5 | 22.0 |
| 177 | - | 48.0 | 38.5 | 22.0 |
| 190 | - | - | 38.5 | 22.0 |
| 203 | - | - | 38.5 | 22.0 |
| 216 | - | - | 38.5 | 22.0 |
| 229 | - | - | - | 22.0 |
| 243 | - | - | - | 22.0 |
| 256 | - | - | - | 22.0 |
| No. of Hoist Lines | 4 | 3 | 2 | 2 |
| DS | 831 | 832 | 833 | 834 |

DS = operating mode switch on PAT-console

Luffing mast 49.0 ft
 EE = 10

2) min. weight of hook block 4000 lb (3 sheaves)

Mannesmann
 DEMAG Fördertechnik

AC 1500-SL Capacities on Luffing Fly Jib
 (with Superlift-Suspension)
 Telescopes pinned

DIN 15019.2

Capacity (lb x 1000) = Load + Hook Block

360°

Main Boom 164.0 ft (Sequence (%) 100-100-100)

Main Boom Position 70°

Counterweight 309,000 lb
 Outrigger Base 39 x 39 ft

| Radius (ft) | Jib (ft) | | | |
|--------------------|--------------------|-------|-------|-------|
| | 98.5 ²⁾ | 138.0 | 177.5 | 217.0 |
| 111 | 61.4 | - | - | - |
| 118 | 59.1 | - | - | - |
| 124 | 57.5 | 44.8 | - | - |
| 131 | 56.2 | 44.1 | - | - |
| 138 | 55.3 | 42.9 | 28.6 | - |
| 144 | 55.1 | 42.1 | 28.6 | - |
| 151 | - | 41.4 | 27.3 | - |
| 157 | - | 40.8 | 26.9 | - |
| 164 | - | 40.5 | 26.6 | - |
| 177 | - | 40.1 | 26.4 | 15.4 |
| 184 | - | 39.6 | 26.4 | 15.4 |
| 190 | - | - | 26.4 | 15.4 |
| 203 | - | - | 26.4 | 15.4 |
| 216 | - | - | 26.4 | 15.4 |
| 223 | - | - | 26.4 | 15.4 |
| 229 | - | - | - | 15.4 |
| 243 | - | - | - | 15.4 |
| 256 | - | - | - | 15.4 |
| 262 | - | - | - | 15.4 |
| No. of Hoist Lines | 3 | 2 | 2 | 2 |
| DS | 831 | 832 | 833 | 834 |

DS = operating mode switch on PAT-console

Luffing mast 49.0 ft
 EE = 10

²⁾ min. weight of hook block 4000 lb (3 sheaves)