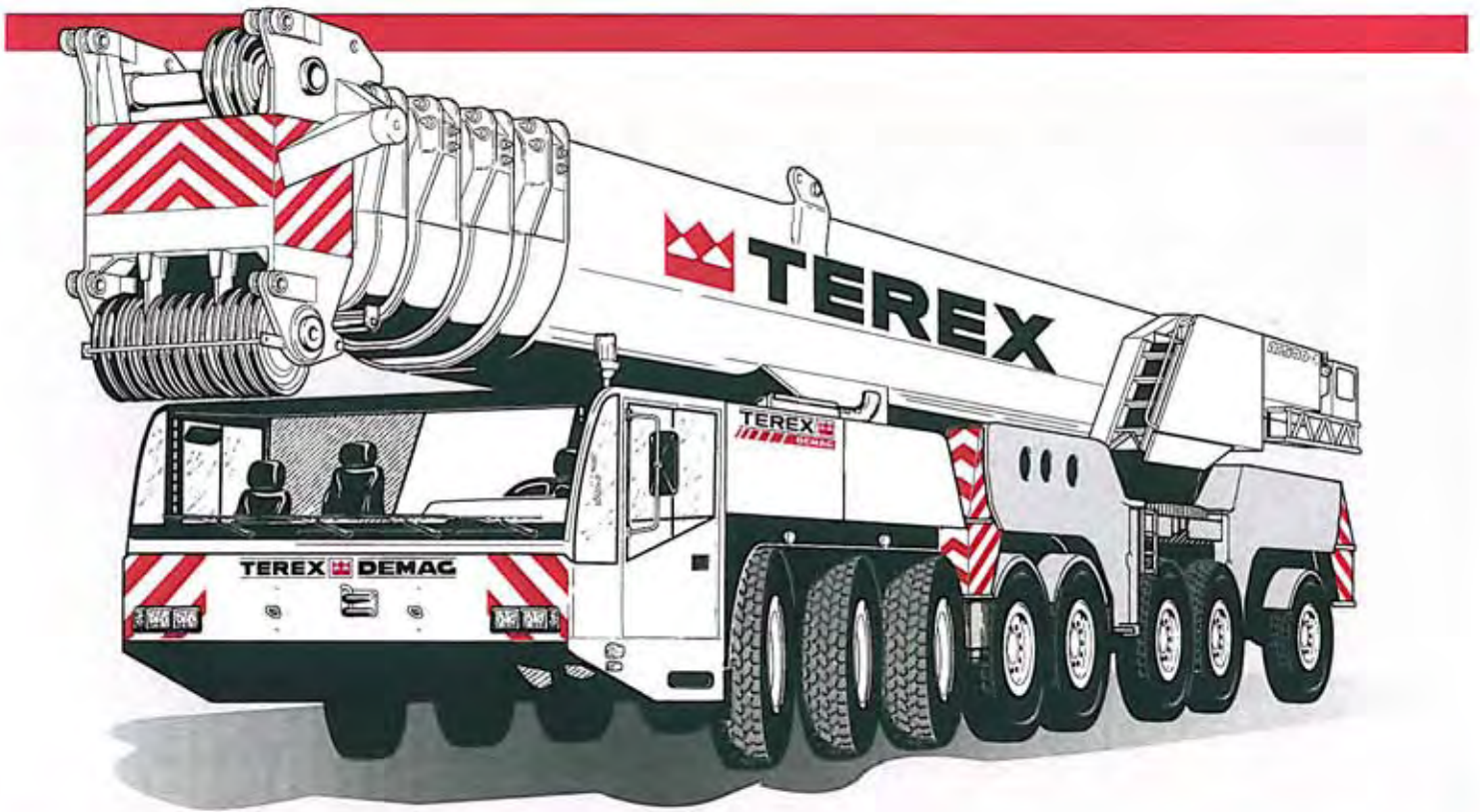


AC 500-1



**CAL CRANE &
EQUIPMENT**

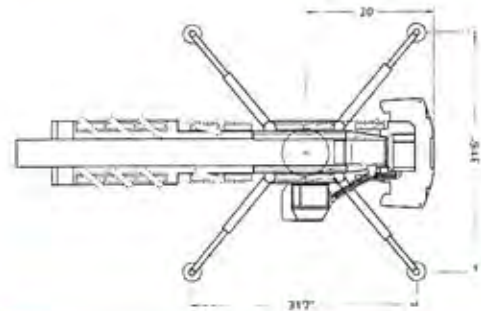
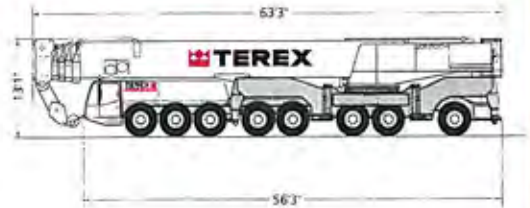
Tel: 1 (844) 882-2415 • Fax: 1 (510) 639-4053
crane-sales@calcrane.com • www.calcrane.com

600t

HIGHLIGHTS

Demag AC 500-1

- ▶ Enhanced Demag ovaloid boom design ensures excellent lifting capacities
- ▶ Exceptional capacity enhancements due to new Sideways Superlift
- ▶ The shortest 8-axle crane with a carrier length of just 56.3 ft
- ▶ Star-type outriggers giving enhanced stability
- ▶ Short rigging time and optimal transport weights for all configurations
- ▶ Innovative crane control provides high operating comfort



WWW.

Specifications

Dimensions	4
Specifications	6

1

Main boom

Working ranges	7
Lifting capacities	8
Lifting capacities with SSL 0°	11

2

Main boom extension

Working ranges	13
Lifting capacities	14
Lifting capacities with SSL 0° + 30°	15

3

Fixed fly jib

Working ranges	16
Lifting capacities	17
Lifting capacities with SSL 0° + 30°	19
Working ranges	20

4

Luffing fly jib

Working ranges	21
Lifting capacities	22
Working ranges with SSL 0° + 60°	31
Lifting capacities with SSL 0° + 60°	32

5

Technical description

Carrier · Superstructure · Optional equipment	39
---	----

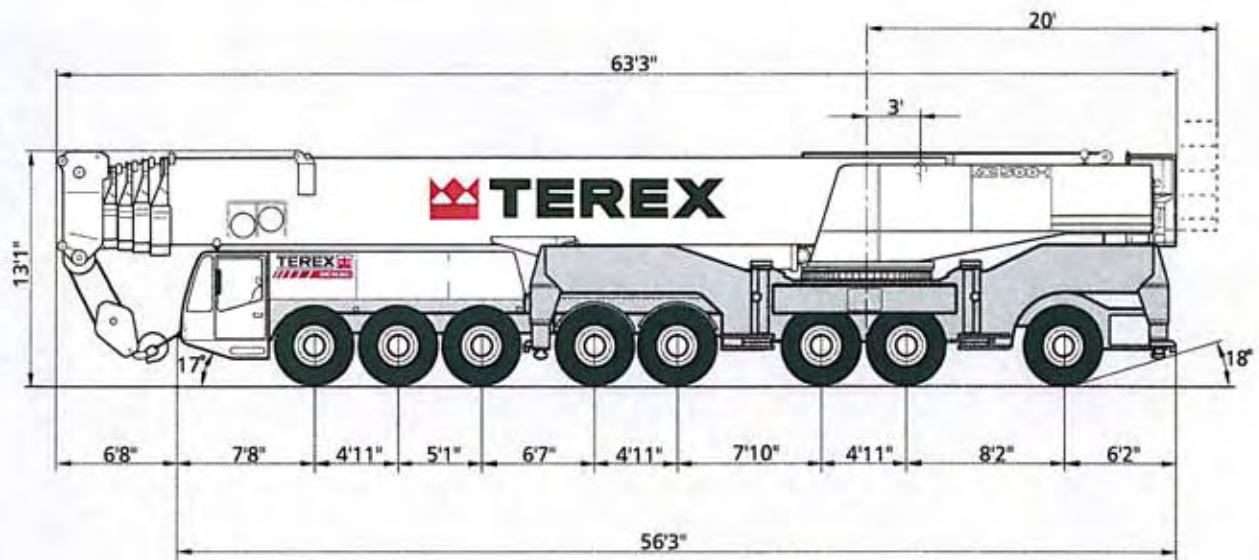
6

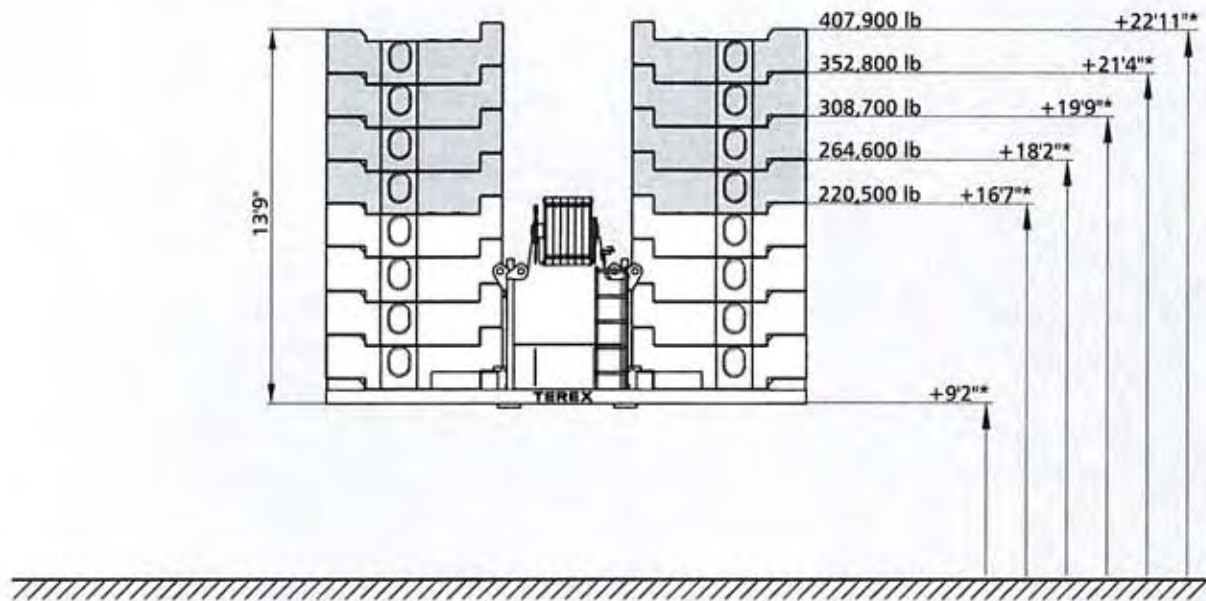
Overview

Standard duty charts	40
----------------------------	----

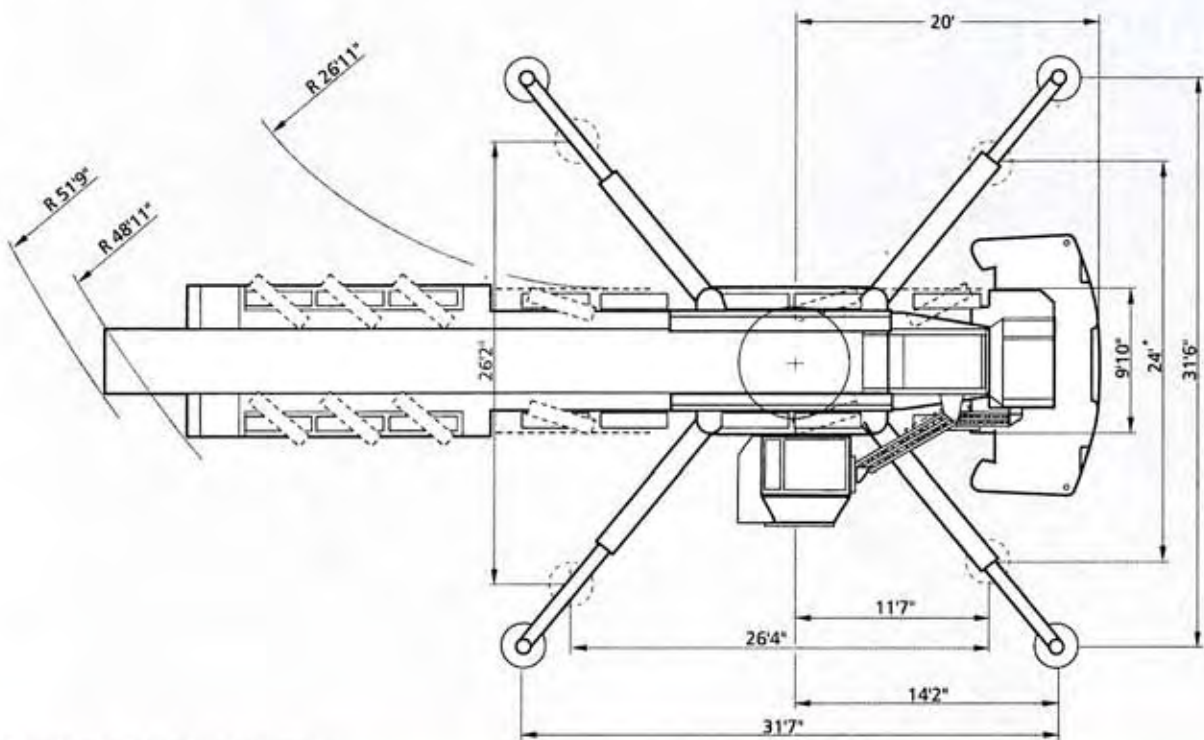
7

Dimensions





* Tail swing above ground



*) Duties with reduced outrigger base on request

Specifications

Axle loads and weights

Crane with main boom, outriggers and hook block	
Axles	8 x 26,500 lb
Total weight	212,000 lb

Working speeds (infinitely variable)

Mechanisms	Line speed	Max. permissible line pull	Rope length
Hoist I	max. 446.2 ft/min	28,100 lb	1,548 ft
Hoist II	max. 505.2 ft/min	28,100 lb	2,362 ft
Slewing			max. 0.8 rpm
Telescoping speed			48.2 – 183.7 ft: approx. 420 sec.
Boom elevation			-0,5° – +83°: 85 sec.

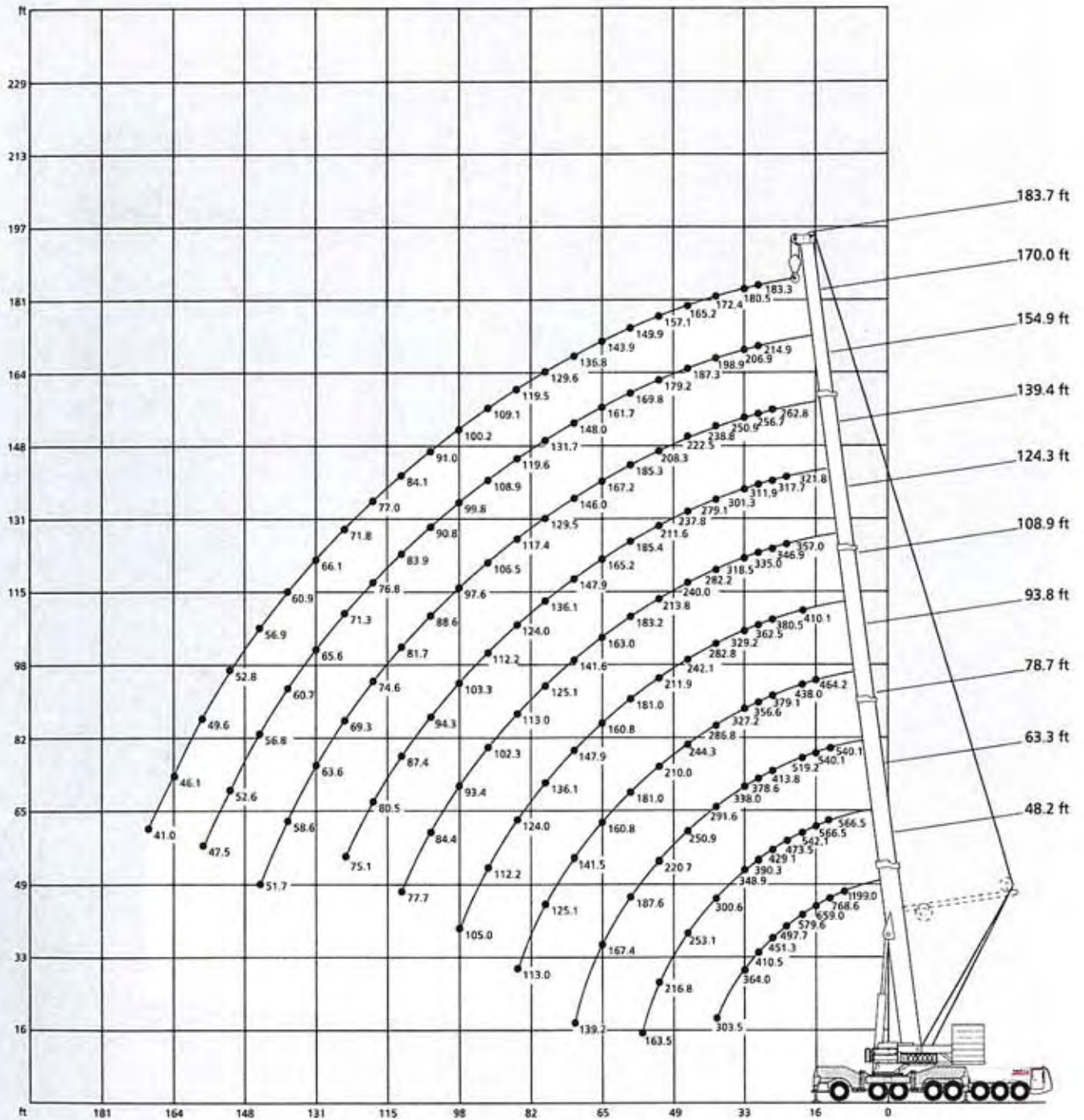
Carrier performance

Travel speed	0 .. 40 mph
--------------	-------------

Hook block / Heavy-lift attachment

Type	Possible load	Number of sheaves	Weight	„D“	max. reeving	Heavy-lift attachment
320	566,600 lb	11	7,100 lb	13 ft	23	4 add. sheaves
250	476,200 lb	9	5,700 lb	13 ft	18	2 add. sheaves
200	397,000 lb	7	5,100 lb	10 ft	15	
160	291,000 lb	5	4,200 lb	10 ft	11	
100	185,200 lb	3	4,000 lb	10 ft	7	
40	79,400 lb	1	1,700 lb	9 ft	3	
12.5	26,500 lb	Single line hook	1,100 lb	7 ft	1	

Working ranges main boom



Lifting capacities main boom

352,800 lb



360°

85%

Main boom

Radius ft	ft	48.2 ³⁾	48.2	63.3 ³⁾	63.3	78.7 ³⁾	78.7	93.8	108.9	124.3	139.4	154.9	170.0	183.7	Radius ft	
		1,000 lb														
10	1199.0 ¹⁾	566.5	-	-	-	-	-	-	-	-	-	-	-	-	10	
11	917.2 ²⁾	566.5	566.5	566.5	-	-	-	-	-	-	-	-	-	-	11	
13	768.6 ²⁾	566.5	566.5	566.5	540.1	540.1	-	-	-	-	-	-	-	-	13	
15	691.2 ²⁾	565.3	566.5	564.9	540.1	540.1	-	-	-	-	-	-	-	-	15	
16	659.0 ²⁾	559.9	566.5	558.2	540.1	540.1	464.2	-	-	-	-	-	-	-	16	
19	579.6	507.1	542.1	506.7	519.2	503.5	438.0	370.5	-	-	-	-	-	-	19	
23	497.7	442.7	473.5	442.7	460.2	440.4	405.3	343.6	312.8	-	-	-	-	-	23	
26	451.3	404.4	429.1	404.4	413.8	402.1	379.1	323.5	296.7	259.1	-	-	-	-	26	
29	410.5	369.8	390.3	371.6	378.6	369.4	356.6	307.0	278.7	244.9	211.5	182.1	-	-	29	
33	364.0	333.6	348.9	333.6	338.0	331.4	327.2	285.6	259.1	228.5	195.6	171.5	145.1	-	33	
39	303.5	289.3	300.6	289.3	291.6	287.1	286.8	255.4	228.9	206.4	177.4	157.4	135.1	-	39	
46	-	-	253.1	244.3	250.9	242.1	244.3	224.6	200.3	184.9	158.5	140.9	123.3	-	46	
52	-	-	216.8	212.1	220.7	207.8	210.0	200.4	178.2	166.8	144.4	128.8	113.2	-	52	
59	-	-	159.2	163.5	187.6	178.8	181.0	176.5	158.8	150.0	132.3	116.9	103.4	-	59	
65	-	-	-	-	167.4	158.6	160.8	160.3	146.7	137.9	122.2	109.6	95.8	-	65	
72	-	-	-	-	135.3	139.2	141.5	143.7	132.6	123.8	110.5	100.5	87.7	-	72	
79	-	-	-	-	-	-	125.1	127.4	120.8	112.1	102.6	92.5	80.6	-	79	
85	-	-	-	-	-	-	113.0	117.3	110.7	104.6	95.5	86.5	75.4	-	85	
92	-	-	-	-	-	-	-	106.0	101.6	95.9	88.5	80.1	70.0	-	92	
98	-	-	-	-	-	-	-	97.8	94.2	89.5	83.2	75.3	65.9	-	98	
105	-	-	-	-	-	-	-	-	86.8	83.3	78.0	70.5	61.9	-	105	
111	-	-	-	-	-	-	-	-	79.9	78.0	73.8	66.5	58.3	-	111	
118	-	-	-	-	-	-	-	-	-	72.6	69.7	62.8	54.7	-	118	
124	-	-	-	-	-	-	-	-	-	67.3	66.1	59.6	51.7	-	124	
131	-	-	-	-	-	-	-	-	-	58.5	62.2	56.5	48.8	-	131	
138	-	-	-	-	-	-	-	-	-	-	57.8	53.4	45.7	-	138	
144	-	-	-	-	-	-	-	-	-	-	52.9	51.0	43.7	-	144	
151	-	-	-	-	-	-	-	-	-	-	-	48.4	41.2	-	151	
157	-	-	-	-	-	-	-	-	-	-	-	46.2	39.3	-	157	
164	-	-	-	-	-	-	-	-	-	-	-	-	37.4	-	164	
170	-	-	-	-	-	-	-	-	-	-	-	-	-	-	170	

Remarks

- 1) over rear, special attachment required, on request
- 2) over rear, heavy-lift attachment required
- 3) central jack leg

Main boom

Radius ft	ft	48.2	63.3	78.7	93.8	108.9	124.3	139.4	154.9	170.0	183.7	Radius ft
						1,000 lb						
10		566.5	-	-	-	-	-	-	-	-	-	10
11		566.5	566.5	-	-	-	-	-	-	-	-	11
13		566.5	566.5	540.1	-	-	-	-	-	-	-	13
15		562.1	561.8	539.1	-	-	-	-	-	-	-	15
16		543.3	541.6	535.1	464.2	-	-	-	-	-	-	16
19		486.8	485.5	484.6	438.0	370.5	-	-	-	-	-	19
23		422.8	425.0	422.8	405.3	343.6	312.8	-	-	-	-	23
26		386.5	386.7	384.5	379.1	323.5	296.7	259.1	-	-	-	26
29		344.7	344.7	340.7	343.7	307.0	278.7	244.9	211.5	182.1	-	29
33		295.8	295.8	298.1	295.8	285.3	259.1	228.5	195.6	171.5	145.1	33
39		241.4	241.4	243.6	241.4	245.0	228.9	206.4	177.4	157.4	135.1	39
46		-	195.8	198.0	193.6	198.0	195.8	184.9	158.5	140.9	123.3	46
52		-	159.5	161.7	164.8	163.7	161.5	160.7	144.4	128.8	113.2	52
59		-	128.1	130.3	134.7	132.5	130.3	130.3	130.1	116.9	103.4	59
65		-	-	112.1	114.5	112.3	111.2	110.7	112.1	109.6	95.8	65
72		-	-	99.5	98.2	98.0	96.7	92.8	94.3	96.2	87.7	72
79		-	-	-	84.4	87.5	83.1	79.3	80.5	82.7	80.5	79
85		-	-	-	75.2	77.8	75.2	73.9	73.0	73.0	73.1	85
92		-	-	-	-	68.6	66.2	66.4	65.7	63.7	64.0	92
98		-	-	-	-	61.9	59.5	59.7	59.1	57.1	57.3	98
105		-	-	-	-	-	53.1	54.6	52.4	50.6	50.9	105
111		-	-	-	-	-	48.5	49.8	47.6	45.8	46.0	111
118		-	-	-	-	-	45.6	45.0	42.8	40.8	41.0	118
124		-	-	-	-	-	-	41.4	40.5**	37.0	37.2	124
131		-	-	-	-	-	-	37.6	37.7**	32.9	33.2	131
138		-	-	-	-	-	-	-	34.5**	29.4	29.6	138
144		-	-	-	-	-	-	-	29.0	26.8	26.8	144
151		-	-	-	-	-	-	-	-	24.0	24.0	151
157		-	-	-	-	-	-	-	-	21.9	21.7	157
164		-	-	-	-	-	-	-	-	-	19.6	164
170		-	-	-	-	-	-	-	-	-	-	170

Remarks

** Length of main boom 149.6 ft

Lifting capacities main boom

132,300 lb   360° 85 %

		Main boom											
Radius	ft	48.2	63.3	78.7	93.8	108.9	124.3	139.4	154.9	170.0	183.7	Radius	ft
		1,000 lb											
10		566.5	-	-	-	-	-	-	-	-	-	10	
11		566.5	566.5	-	-	-	-	-	-	-	-	11	
13		566.5	566.5	540.1	-	-	-	-	-	-	-	13	
15		550.4	548.2	536.9	-	-	-	-	-	-	-	15	
16		528.9	526.7	523.5	464.2	-	-	-	-	-	-	16	
19		471.4	473.2	471.0	438.0	370.5	-	-	-	-	-	19	
23		391.8	391.8	394.0	391.8	343.6	312.8	-	-	-	-	23	
26		339.4	339.4	341.6	339.4	323.5	296.7	259.1	-	-	-	26	
29		298.1	298.1	300.3	298.1	292.2	271.3	244.9	211.5	182.1	-	29	
33		244.6	244.6	249.0	244.6	242.6	227.6	216.7	195.2	171.5	145.1	33	
39		172.0	174.1	180.6	181.9	178.1	175.2	170.4	165.0	157.4	135.1	39	
46		-	129.7	131.9	131.9	134.2	129.8	125.3	127.5	127.6	123.2	46	
52		-	104.8	106.5	107.5	109.0	107.0	107.5	105.2	103.4	103.2	52	
59		-	83.2	84.6	88.1	86.8	87.4	86.3	86.7**	81.5	81.9	59	
65		-	-	73.5	74.7	74.7	73.9	72.8	73.2**	68.1	68.6	65	
72		-	-	61.8	62.4	62.9	61.5	60.4	60.9**	56.0	56.3	72	
79		-	-	-	53.0	53.5	53.9*	51.0	51.5**	46.8	47.1	79	
85		-	-	-	46.6	47.0	47.5*	44.6	45.0**	40.2	40.6	85	
92		-	-	-	-	40.9	41.3*	38.4	38.9**	33.8	34.0	92	
98		-	-	-	-	36.4	36.7*	33.8	34.2**	29.0	29.4	98	
105		-	-	-	-	-	32.4*	29.0	29.5**	24.4	24.6	105	
111		-	-	-	-	-	26.9	25.6	26.1**	21.0	21.2	111	
118		-	-	-	-	-	23.6	22.3	22.5**	17.4	17.6	118	
124		-	-	-	-	-	-	19.6	19.9**	15.0	15.0	124	
131		-	-	-	-	-	-	17.2	17.2**	12.4	12.4	131	
138		-	-	-	-	-	-	-	14.9**	10.0	10.0	138	
144		-	-	-	-	-	-	-	10.4	8.2	8.2	144	
151		-	-	-	-	-	-	-	-	6.3	6.3	151	
157		-	-	-	-	-	-	-	-	5.1	4.9	157	


0 lb   360° 85 %

		Main boom											
Radius	ft	48.2	63.3	78.7	93.8	108.9	124.3	139.4	149.6	170.0	183.7	Radius	ft
		1,000 lb											
10		566.5	-	-	-	-	-	-	-	-	-	10	
11		566.5	566.5	-	-	-	-	-	-	-	-	11	
13		566.5	566.5	544.6	-	-	-	-	-	-	-	13	
15		505.4	506.6	465.0	-	-	-	-	-	-	-	15	
16		470.5	467.7	402.7	330.7	-	-	-	-	-	-	16	
19		344.7	301.9	264.6	232.0	188.7	176.7	-	-	-	-	19	
23		193.2	184.6	169.3	156.1	140.7	129.7	116.6	-	-	-	23	
26		126.7	138.3	133.0	121.8	114.2	111.3*	95.4	91.1	-	-	26	
29		88.8	100.2	105.6	100.0	94.3	92.2*	79.0	76.2	62.5	-	29	
33		58.7	68.2	74.8	75.8	73.9	72.9*	62.7	60.7	49.5	47.1	33	
39		35.6	43.4	48.9	49.8	50.6	51.1*	46.0	44.8	35.4	33.8	39	
46		-	27.2	32.0	32.7	33.6	34.0*	30.9	31.4	23.2	21.9	46	
52		-	18.9	23.2	24.0	24.7	25.2*	22.3	22.7	14.6	13.6	52	
59		-	12.3	16.1	16.8	17.4	17.9*	15.0	15.2	7.5	6.6	59	
65		-	-	11.9	12.5	13.0	13.4*	10.3	10.4	-	-	65	
72		-	-	7.3	8.0	8.7	9.1*	5.8	6.0	-	-	72	
79		-	-	-	4.5	5.1	5.6*	-	-	-	-	79	

Remarks

- * Length of main boom 115.8 ft
- ** Length of main boom 149.6 ft

Lifting capacities main boom with SSL 0°

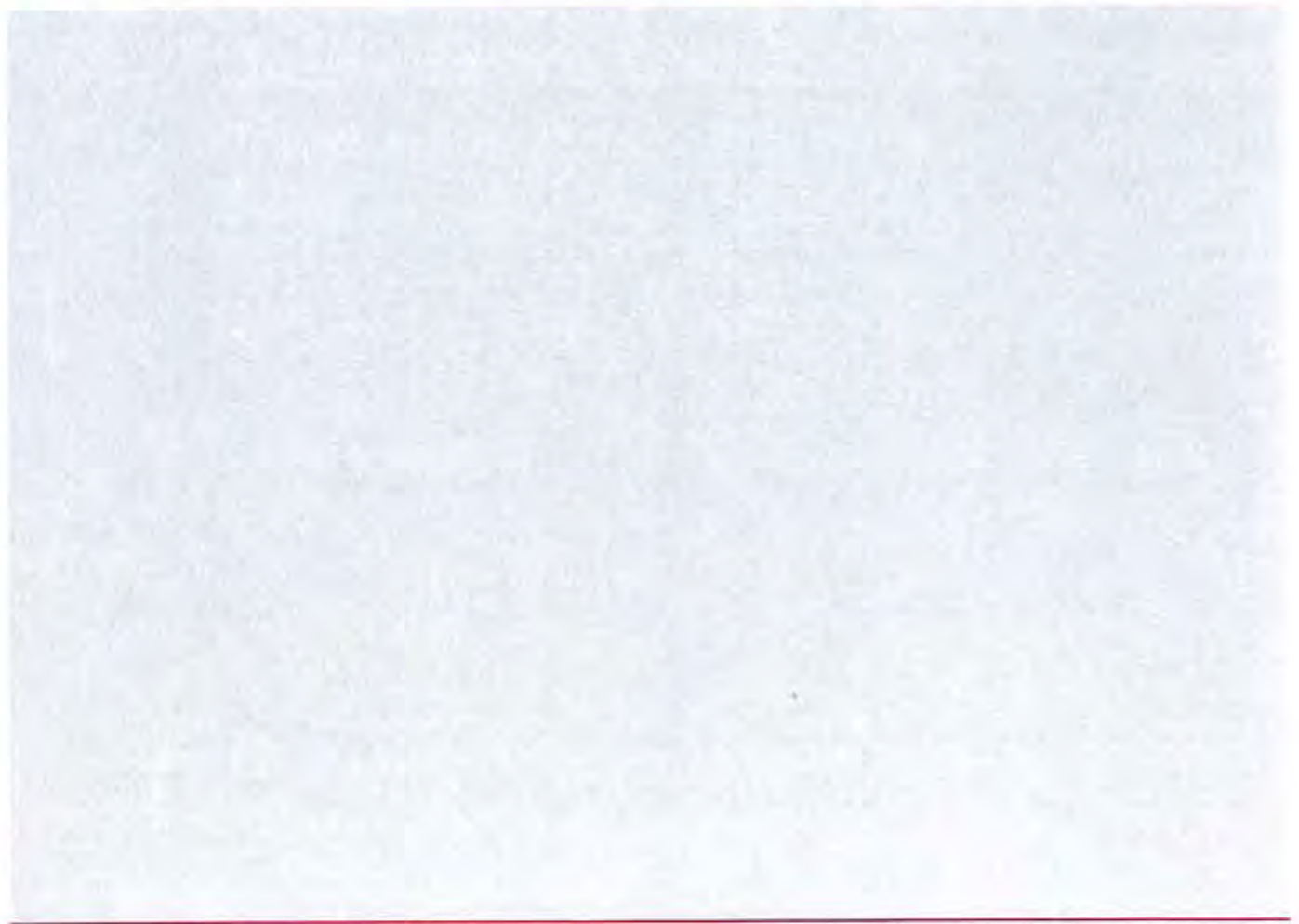
220,500 lb 

 360°


85%

Main boom

Radius ft	ft	108.9	124.3	139.4	154.9	170.0	183.7	Radius ft
		1,000 lb						
19		410.1	-	-	-	-	-	19
23		396.5	357.0	321.8	-	-	-	23
26		372.3	346.9	317.7	262.8	-	-	26
29		333.3	331.3	311.9	256.7	214.9	183.3	29
33		284.8	287.1	289.3	250.8	206.9	180.5	33
39		230.4	234.7	236.9	236.7	198.9	172.4	39
46		187.2	189.2	191.4	193.7	187.1	165.2	46
52		173.1	161.0	171.0	167.5	169.0	157.1	52
59		147.9	136.8	145.7	141.3	143.5	143.4	59
65		129.7	116.7	127.5	121.1	125.3	125.3	65
72		110.2	96.6	109.1	102.3	105.4	105.8	72
79		94.5	81.1	93.2	86.6	89.4	89.9	79
85		83.4	70.4	82.3	75.7	78.5	79.0	85
92		73.0	59.5	71.7	65.3	67.9	68.3	92
98		65.5	51.9	64.0	57.6	60.4	60.9	98
105		-	44.0	56.6	49.8	52.6	53.1	105
111		-	38.6	51.0	43.9	46.8	47.2	111
118		-	-	45.0	38.0	40.8	41.3	118
124		-	-	40.6	33.7	36.4	36.8	124
131		-	-	-	29.2	31.8	32.1	131
138		-	-	-	25.4	27.8	28.1	138
144		-	-	-	22.4	24.6	25.0	144
151		-	-	-	-	21.5	21.7	151
157		-	-	-	-	19.1	19.3	157
164		-	-	-	-	-	16.7	164
170		-	-	-	-	-	14.7	170
177		-	-	-	-	-	-	177



Lifting capacities main boom with SSL 0°

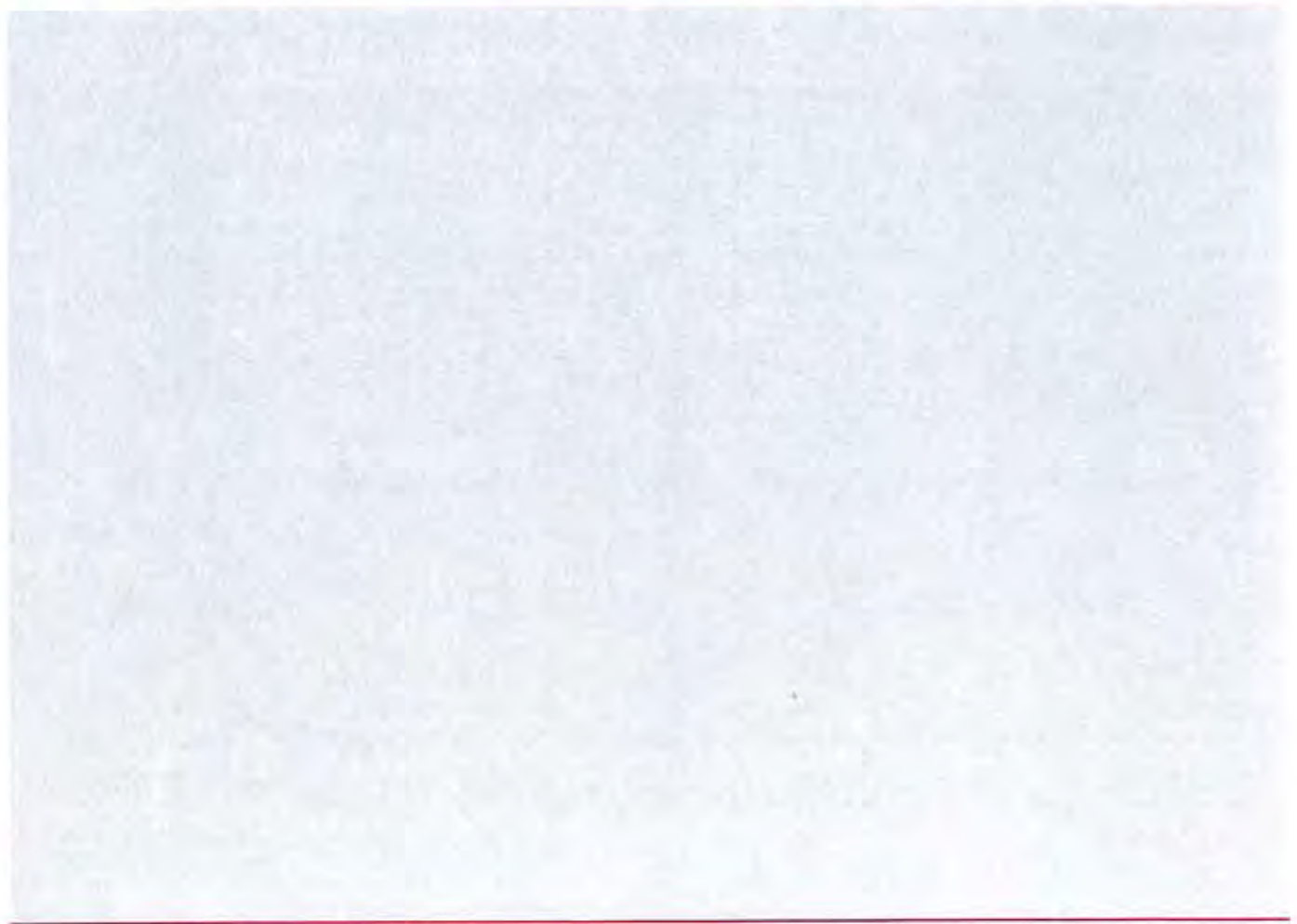
220,500 lb 

 360°

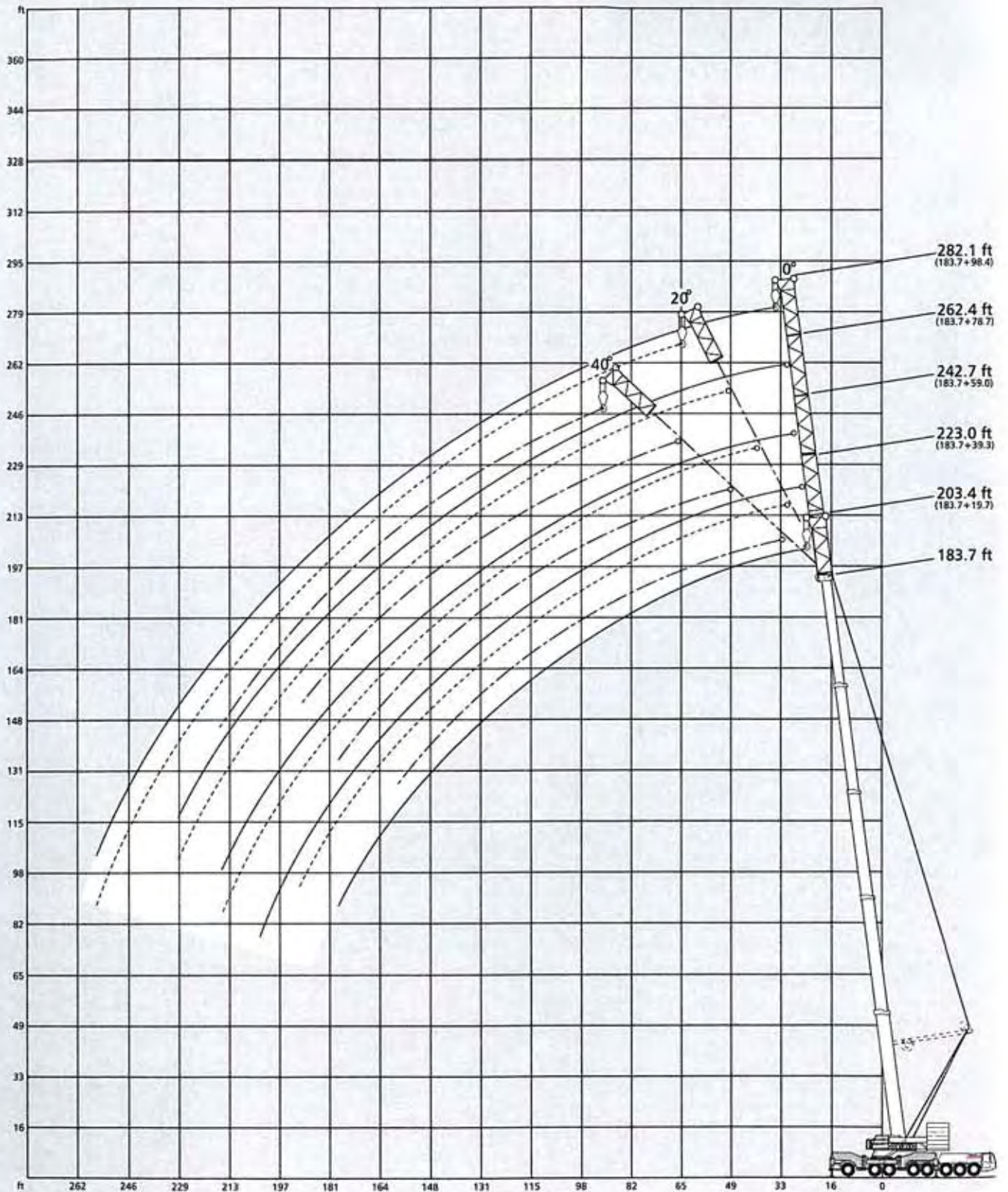
85%

Main boom


Radius ft	ft	108.9	124.3	139.4	154.9	170.0	183.7	Radius ft
		1,000 lb						
19		410.1	-	-	-	-	-	19
23		396.5	357.0	321.8	-	-	-	23
26		372.3	346.9	317.7	262.8	-	-	26
29		333.3	331.3	311.9	256.7	214.9	183.3	29
33		284.8	287.1	289.3	250.8	206.9	180.5	33
39		230.4	234.7	236.9	236.7	198.9	172.4	39
46		187.2	189.2	191.4	193.7	187.1	165.2	46
52		173.1	161.0	171.0	167.5	169.0	157.1	52
59		147.9	136.8	145.7	141.3	143.5	143.4	59
65		129.7	116.7	127.5	121.1	125.3	125.3	65
72		110.2	96.6	109.1	102.3	105.4	105.8	72
79		94.5	81.1	93.2	86.6	89.4	89.9	79
85		83.4	70.4	82.3	75.7	78.5	79.0	85
92		73.0	59.5	71.7	65.3	67.9	68.3	92
98		65.5	51.9	64.0	57.6	60.4	60.9	98
105		-	44.0	56.6	49.8	52.6	53.1	105
111		-	38.6	51.0	43.9	46.8	47.2	111
118		-	-	45.0	38.0	40.8	41.3	118
124		-	-	40.6	33.7	36.4	36.8	124
131		-	-	-	29.2	31.8	32.1	131
138		-	-	-	25.4	27.8	28.1	138
144		-	-	-	22.4	24.6	25.0	144
151		-	-	-	-	21.5	21.7	151
157		-	-	-	-	19.1	19.3	157
164		-	-	-	-	-	16.7	164
170		-	-	-	-	-	14.7	170
177		-	-	-	-	-	-	177



Working ranges main boom extension



Lifting capacities main boom extension


308,700 lb 

 360°

85%

183.7 ft Main boom

Radius ft	Extension												Radius ft				
	19.7 ft			39.3 ft			59.0 ft			78.7 ft				98.4 ft			
	0°	0°	20°	40°*	0°	20°	40°*	0°	20°	40°*	0°	20°	40°*	0°	20°	40°*	
	1,000 lb																
39	107.2	-	-	-	-	-	-	-	-	-	-	-	-	-	-	-	39
46	97.3	82.6	-	-	68.5	-	-	-	-	-	-	-	-	-	-	-	46
52	89.6	76.1	-	-	63.8	-	-	55.6	-	-	-	-	-	-	-	-	52
59	82.0	69.4	59.7	-	59.1	-	-	51.6	-	-	45.0	-	-	-	-	-	59
65	76.2	64.4	56.7	49.5	55.2	43.8	-	48.3	-	-	42.1	-	-	-	-	-	65
72	70.0	59.2	53.2	47.2	51.2	41.7	-	45.0	-	-	39.3	-	-	-	-	-	72
79	64.8	54.7	49.9	45.1	47.7	39.6	34.1	42.0	33.2	-	36.7	-	-	-	-	-	79
85	60.8	51.3	47.3	43.3	44.8	38.0	33.1	39.5	31.8	-	34.7	-	-	-	-	-	85
92	56.8	48.0	44.4	41.1	42.0	36.1	31.9	37.2	30.1	-	32.5	25.5	-	-	-	-	92
98	53.5	45.3	42.2	39.3	39.6	34.7	30.9	35.1	28.9	24.9	30.7	24.5	-	-	-	-	98
105	50.0	42.5	39.9	37.2	37.4	33.0	29.7	33.2	27.7	24.0	29.0	23.3	-	-	-	-	105
111	47.2	40.3	38.0	35.6	35.4	31.6	28.7	31.4	26.5	23.4	27.6	22.5	19.4	-	-	-	111
118	44.3	37.9	35.9	33.9	33.5	30.0	27.5	29.7	25.3	22.7	26.0	21.6	18.7	-	-	-	118
124	41.9	35.9	34.3	32.3	31.9	28.7	26.7	28.3	24.5	22.1	24.8	20.8	18.1	-	-	-	124
131	39.3	34.0	32.4	30.7	30.0	27.5	25.8	26.9	23.4	21.4	23.6	19.8	17.4	-	-	-	131
138	36.9	31.9	30.8	29.0	28.3	26.2	24.8	25.5	22.4	20.4	22.2	18.9	16.7	-	-	-	138
144	35.1	30.3	29.6	28.0	27.1	25.1	24.0	24.3	21.6	19.8	21.2	18.3	16.3	-	-	-	144
151	33.0	28.6	28.2	26.6	25.5	24.0	23.1	22.9	20.7	19.1	20.2	17.4	15.6	-	-	-	151
157	31.6	27.4	26.9	25.6	24.5	23.2	22.5	21.9	20.1	18.7	19.2	16.8	15.2	-	-	-	157
164	29.9	25.8	25.5	-	23.1	22.0	21.6	20.7	19.1	18.0	18.3	16.0	14.7	-	-	-	164
177	27.3	23.6	23.3	-	20.9	20.3	20.0	18.5	17.8	16.7	16.5	14.7	13.9	-	-	-	177
190	-	21.6	21.4	-	19.0	18.5	-	16.7	16.3	15.6	14.8	13.4	13.0	-	-	-	190
203	-	19.8	-	-	17.2	16.8	-	15.0	15.0	-	13.2	12.1	12.1	-	-	-	203
216	-	-	-	-	15.7	15.2	-	13.5	13.5	-	11.9	11.0	11.2	-	-	-	216
229	-	-	-	-	-	-	-	12.1	12.1	-	10.4	9.9	-	-	-	-	229
243	-	-	-	-	-	-	-	10.7	-	-	9.0	8.5	-	-	-	-	243
256	-	-	-	-	-	-	-	-	-	-	7.7	7.4	-	-	-	-	256

88,200 lb 

 360°

85%

183.7 ft Main boom

Radius ft	Extension												Radius ft				
	19.7 ft			39.3 ft			59.0 ft			78.7 ft				98.4 ft			
	0°	0°	20°	40°	0°	20°	40°	0°	20°	40°	0°	20°	40°	0°	20°	40°	
	1,000 lb																
39	107.2	-	-	-	-	-	-	-	-	-	-	-	-	-	-	-	39
46	97.2	82.6	-	-	68.5	-	-	-	-	-	-	-	-	-	-	-	46
52	82.7	76.1	-	-	63.8	-	-	55.6	-	-	-	-	-	-	-	-	52
59	65.1	63.8	59.7	-	59.1	-	-	51.6	-	-	45.0	-	-	-	-	-	59
65	53.8	52.5	56.7	49.5	51.6	43.8	-	48.3	-	-	42.1	-	-	-	-	-	65
72	43.2	42.1	47.8	47.2	41.9	41.7	-	41.6	-	-	39.3	-	-	-	-	-	72
79	35.0	33.9	39.1	43.5	33.9	39.5	34.1	33.9	33.2	-	34.1	-	-	-	-	-	79
85	29.1	28.2	32.9	36.9	28.2	35.2	33.1	28.2	31.8	-	28.7	-	-	-	-	-	85
92	23.4	22.8	27.0	30.3	22.8	29.0	31.9	23.0	30.1	-	23.5	25.5	-	-	-	-	92
98	19.2	18.8	22.5	25.6	19.0	24.5	29.4	19.2	26.4	24.9	19.6	24.5	-	-	-	-	98
105	15.2	14.9	18.2	20.9	14.9	20.2	24.6	15.2	22.0	24.0	15.8	23.3	-	-	-	-	105
111	12.1	11.9	15.0	17.3	12.1	16.8	21.0	12.3	18.8	23.4	13.0	20.7	19.4	-	-	-	111
118	9.0	8.6	11.5	13.5	9.3	13.5	17.2	9.5	15.2	20.5	10.1	17.2	18.7	-	-	-	118
124	6.6	6.4	8.8	10.6	7.0	11.0	14.4	7.3	12.6	17.5	7.9	14.6	18.1	-	-	-	124
131	-	-	6.2	7.8	4.7	8.4	11.1	5.1	10.0	14.4	5.8	11.9	17.4	-	-	-	131
138	-	-	-	5.2	-	6.1	8.5	-	7.6	11.6	-	9.4	14.6	-	-	-	138
144	-	-	-	-	-	-	6.3	-	5.8	9.3	-	7.6	12.4	-	-	-	144
151	-	-	-	-	-	-	-	-	-	7.2	-	5.7	10.1	-	-	-	151
157	-	-	-	-	-	-	-	-	-	5.4	-	-	8.1	-	-	-	157
164	-	-	-	-	-	-	-	-	-	-	-	-	6.1	-	-	-	164
177	-	-	-	-	-	-	-	-	-	-	-	-	-	-	-	-	177

Remarks

Remarks page 15

- * 264,600 lb counterweight
- ** 352,800 lb counterweight

- * 407,900 lb counterweight
- ** SSL 30°



Lifting capacities main boom extension with SSL 0°

352,800 lb   360° 85%

183.7 ft Main boom

Radius ft	Extension																Radius ft					
	19.6 ft				39.3 ft				59.0 ft				78.7 ft					98.4 ft				
	0°	0°***	0°	20°	40°	0°***	0°	20°	40°	0°***	0°	20°	40°	0°***	0°	20°	40°	0°***	0°	20°	40°	
29	110.2	-	-	-	-	-	-	-	-	-	-	-	-	-	-	-	-	-	-	-	-	29
33	110.2	-	-	-	-	-	-	-	-	-	-	-	-	-	-	-	-	-	-	-	-	33
39	110.2	108.1	100.8	-	-	92.5	82.4	-	-	-	-	-	-	-	-	-	-	-	-	-	-	39
46	110.2	104.6	99.4	-	-	88.1	81.7	-	-	72.6	66.7	-	-	63.0	55.3	-	-	-	-	-	-	46
52	110.2	101.4	97.7	85.2	-	84.5	80.7	-	-	67.8	64.1	-	-	58.7	53.2	-	-	-	-	-	-	52
59	110.2	97.2	95.4	82.2	67.9	80.2	79.1	59.1	-	62.8	61.0	-	-	54.2	50.9	-	-	-	-	-	-	59
65	107.8	93.4	93.0	79.4	65.9	76.6	77.5	56.6	-	59.0	58.6	-	-	50.8	49.1	-	-	-	-	-	-	65
72	104.7	88.7	90.2	76.3	63.5	72.6	75.2	54.0	-	54.9	55.8	39.2	-	47.2	46.7	-	-	-	-	-	-	72
79	101.7	84.0	86.9	73.0	61.4	68.8	72.6	51.7	41.1	51.4	53.0	37.8	-	44.2	44.6	-	-	-	-	-	-	79
85	98.9	80.0	83.9	70.2	59.6	65.6	70.2	49.9	40.1	48.8	50.8	36.4	-	41.7	43.0	30.9	-	-	-	-	-	85
92	95.6	75.3	80.6	66.9	57.7	62.1	67.1	47.8	39.2	46.0	48.4	35.2	28.8	39.2	40.9	29.7	-	-	-	-	-	92
98	92.5	71.4	77.5	64.3	56.3	59.2	64.7	46.1	38.2	43.8	46.2	34.0	28.2	37.3	39.3	28.7	-	-	-	-	-	98
105	89.0*	67.2	74.2	61.2	54.6	56.2	61.7	44.5	37.4	41.8	44.0	33.0	27.5	35.4	37.4	27.5	22.2	-	-	-	-	105
111	84.6*	63.6	71.2	58.8	53.2	53.5	59.3	43.1	36.6	40.0	42.2	32.0	27.1	33.8	36.0	26.7	21.8	-	-	-	-	111
118	77.5*	60.0	68.1	56.4	51.8	50.7	56.7	41.6	35.9	38.3	40.3	31.1	26.6	32.4	34.4	25.8	21.1	-	-	-	-	118
124	72.0*	56.9	65.5	54.4	50.6	48.5	54.2	40.4	35.1	36.9	38.7	30.2	26.0	31.2	33.0	25.0	20.7	-	-	-	-	124
131	66.3*	53.8*	62.7	52.5	49.2	46.1	51.8	39.2	34.4	35.3	37.0	29.5	25.5	29.8	31.5	24.2	20.2	-	-	-	-	131
138	60.9*	50.8*	59.8	50.6	48.0	44.0	49.5	38.1	33.9	33.9	35.4	28.6	25.3	28.6	30.1	23.5	19.8	-	-	-	-	138
144	56.9*	48.6*	56.8	49.4	47.2	42.2	47.5	37.3	33.3	32.9	34.4	28.0	24.9	27.6	29.1	22.9	19.4	-	-	-	-	144
151	52.6*	45.8*	52.6	47.8	46.2	40.3	45.3	36.3	32.8	31.5	33.0	27.3	24.4	26.4	27.9	22.2	18.9	-	-	-	-	151
157	49.4*	43.8*	49.2	46.8*	45.4	38.7	43.9	35.5	32.6	30.7	32.2	26.7	24.2	25.6	26.9	21.6	18.7	-	-	-	-	157
164	45.6*	41.4*	45.6	45.6*	-	37.0	42.1	34.6	32.1	29.5	31.0	26.2	23.8	24.6	26.0	21.1	18.3	-	-	-	-	164
177	38.0*	37.3*	39.7	40.6*	-	33.9*	39.0	33.3	31.7	27.5	29.5	25.1	23.3	22.9	24.4	20.0	17.8	-	-	-	-	177
190	-	33.3*	33.4	35.1*	-	31.1*	35.3	32.4	-	25.8	28.0	24.2	22.9	21.6	23.1	19.2	17.2	-	-	-	-	190
203	-	-	25.6	-	-	28.1*	30.1	31.7*	-	24.3	26.9	23.3	-	20.3	22.0	18.3	16.9	-	-	-	-	203
216	-	-	-	-	-	23.9*	24.0	26.4*	-	22.5*	25.8	22.7	-	19.0	20.9	17.6	16.7	-	-	-	-	216
229	-	-	-	-	-	-	-	-	-	21.0*	22.4	22.2	-	17.9	19.9	17.0	-	-	-	-	-	229
243	-	-	-	-	-	-	-	-	-	-	-	-	-	16.7	18.9	16.7	-	-	-	-	-	243
256	-	-	-	-	-	-	-	-	-	-	-	-	-	15.2	15.1	16.5	-	-	-	-	-	256

220,500 lb   360° 85%

183.7 ft Main boom

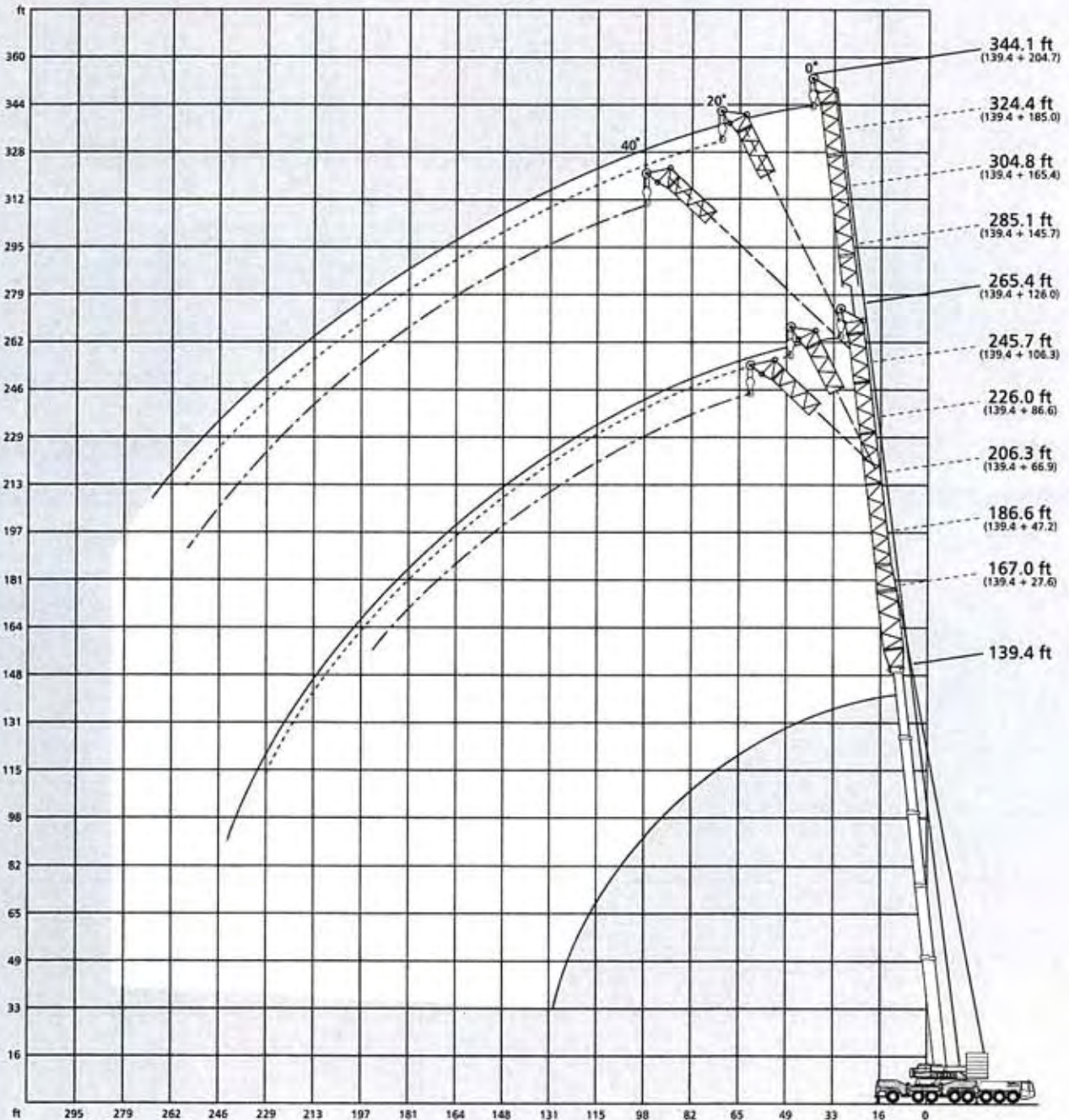
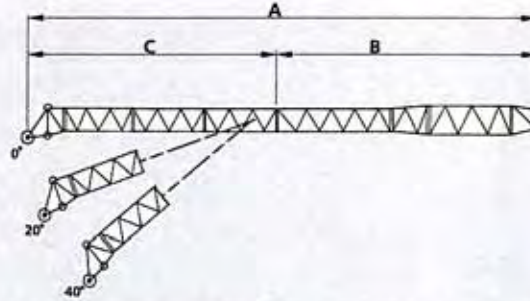
Radius ft	Extension																Radius ft					
	19.6 ft				39.3 ft				59.0 ft				78.7 ft					98.4 ft				
	0°	0°***	0°	20°	40°	0°***	0°	20°	40°	0°***	0°	20°	40°	0°***	0°	20°	40°	0°***	0°	20°	40°	
29	110.2	-	-	-	-	-	-	-	-	-	-	-	-	-	-	-	-	-	-	-	-	29
33	110.2	-	-	-	-	-	-	-	-	-	-	-	-	-	-	-	-	-	-	-	-	33
39	110.2	108.1	100.8	-	-	92.5	82.4	-	-	-	-	-	-	-	-	-	-	-	-	-	-	39
46	110.2	104.6	99.4	-	-	88.1	81.7	-	-	72.6	66.7	-	-	63.0	55.3	-	-	-	-	-	-	46
52	110.2	101.4	97.7	85.2	-	84.5	80.7	-	-	67.8	64.1	-	-	58.7	53.2	-	-	-	-	-	-	52
59	110.2	97.2	95.4	82.2	67.9	80.2	79.1	59.1	-	62.8	61.0	-	-	54.2	50.9	-	-	-	-	-	-	59
65	107.8	93.4	93.0	79.4	65.9	76.6	77.5	56.6	-	59.0	58.6	-	-	50.8	49.1	-	-	-	-	-	-	65
72	104.7	88.7	90.2	76.3	63.5	72.6	75.2	54.0	-	54.9	55.8	39.2	-	47.2	46.7	-	-	-	-	-	-	72
79	93.0	84.0	86.8	73.0	61.4	68.8	72.6	51.7	41.1	51.4	53.0	37.8	-	44.2	44.6	-	-	-	-	-	-	79
85	81.9	80.0	82.0	70.2	59.6	65.6	70.2	49.9	40.1	48.8	50.8	36.4	-	41.7	43.0	30.9	-	-	-	-	-	85
92	71.0	71.4	71.4	66.9	57.7	62.1	67.1	47.8	39.2	46.0	48.4	35.2	28.8	39.2	40.9	29.7	-	-	-	-	-	92
98	63.3	63.8	63.8	64.3	56.3	59.2	64.7	46.1	38.2	43.8	46.2	34.0	28.2	37.3	39.3	28.7	-	-	-	-	-	98
105	55.5	55.9	55.9	59.5	54.6	56.2	57.3	44.5	37.4	41.8	44.0	33.0	27.5	35.4	37.4	27.5	22.2	-	-	-	-	105
111	49.7	50.1	50.1	53.4	53.2	51.3	51.4	43.1	36.6	40.0	42.2	32.0	27.1	33.8	36.0	26.7	21.8	-	-	-	-	111
118	43.5	43.9	43.9	47.2	49.4	45.2	45.2	41.6	35.9	38.3	40.3	31.1	26.6	32.4	34.4	25.8	21.1	-	-	-	-	118
124	39.0	39.3	39.3	42.4	44.6	40.6	40.6	40.4	35.1	36.9	38.7	30.2	26.0	31.2	33.0	25.0	20.7	-	-	-	-	124
131	34.1	34.5	34.5	37.4	39.2	35.8	35.8	39.2	34.4	35.3	37.0	29.5	25.5	29.8	31.5	24.2	20.2	-	-	-	-	131
138	30.0	30.3	30.3	32.7	34.4	31.6	31.6	35.5	33.9	33.1	33.1	28.6	25.3	28.6	30.1	23.5	19.8	-	-	-	-	138
144	26.8	27.0	27.0	29.3	30.6	28.4	28.4	31.9	33.3	29.9	29.9	28.0	24.9	27.6	29.1	22.9	19.4	-	-	-	-	144
151	23.3	23.5	23.5	25.7	26.8	24.8	24.8	28.1	30.6	26.4	26.4	27.3	24.4	26.4	27.9	22.2	18.9	-	-	-	-	151
157	20.7	20.9	20.9	22.9	23.8	22.2	22.2	25.3	27.5	23.8	23.8	26.7	24.2	25.2	25.3	21.6	18.7	-	-	-	-	157
164	17.8	18.0	18.0	19.8	-	19.4	19.4	22.2	24.0	20.9	20.9	24.7	23.8	22.5	22.5	21.1	18.3	-	-	-	-	164
177	13.5	13.7	13.7	14.8	-	14.8	14.8	17.2	18.5	16.1	16.1	19.6	22.0	17.7	17.7	20.0	17.8	-	-	-	-	177
190	-	9.7	9.7	10.6	-	11.1	11.1	12.8	-	12.4	12.4	15.3	17.0	13.7	13.7	17.6	17.2	-	-	-	-	190
203	-	-	6.4	-	-	7.8	7.8	9.1	-	9.1	9.1	11.3	-	10.4	10.4	13.7	15.9	-	-	-	-	203
216	-	-	-	-	-	4.9	4.9	6.0	-	6.2	6.2	8.0	-	7.4	7.4	10.2	12.0	-	-	-	-	216
229	-	-	-	-	-	-	-	-	-	-	-	5.2	-	4.9	4.9	7.2	-	-	-	-	-	229

Working ranges fixed fly jib

Offset fixed fly jib

A	B	C 0° / 20° / 40°
86.6 ft	48.9 ft	37.7 ft
106.3 ft	48.9 ft	57.4 ft
126.0 ft	68.6 ft	57.4 ft
145.7 ft	68.6 ft	77.0 ft
165.4 ft	88.2 ft	77.0 ft
185.0 ft	88.2 ft	96.8 ft
204.7 ft	107.9 ft	96.8 ft

(27.6 ft + 47.2 ft + 66.9 ft only 0°)



Lifting capacities fixed fly jib



360°

85%

139.4 ft Main boom

Radius ft	27.6 ft			47.2 ft			66.9 ft			86.6 ft			106.3 ft			126.0 ft			Radius ft
	0°	0°	0°	0°	20°	40°	0°	20°	40°	0°	20°	40°	0°	20°	40°				
33	172.0	-	-	-	-	-	-	-	-	-	-	-	-	-	-	-	-	33	
39	153.4	138.7	107.9	-	-	-	-	-	-	-	-	-	-	-	-	-	-	39	
46	135.0	122.2	100.9	96.9	-	-	-	-	-	-	-	-	-	-	-	-	-	46	
52	122.0	110.5	95.0	89.2	-	-	-	-	-	77.0	-	-	-	-	-	-	-	52	
59	109.2	98.6	88.2	81.1	68.3	-	-	-	-	72.1	-	-	-	-	-	63.0	-	59	
65	100.1	90.1	82.7	75.1	65.5	56.8	-	-	-	67.8	50.4	-	-	-	-	59.8	-	65	
72	91.2	81.7	76.6	68.7	62.2	54.7	-	-	-	63.1	47.9	-	-	-	-	56.0	46.3	72	
79	83.7	74.9	70.7	63.0	58.9	52.6	-	-	-	58.9	45.5	39.4	-	-	-	52.5	43.7	79	
85	78.1	69.7	66.1	58.8	55.9	51.0	-	-	-	55.3	43.7	38.2	-	-	-	49.7	41.7	85	
92	72.2	64.5	60.9	54.5	52.8	48.6	-	-	-	51.2	41.6	37.0	-	-	-	46.4	39.6	92	
98	67.7	60.4	56.9	51.1	50.0	46.8	-	-	-	48.0	39.7	35.8	-	-	-	43.8	37.8	98	
105	63.0	56.2	49.6	47.8	46.9	44.7	-	-	-	44.7	37.9	34.6	-	-	-	41.2	35.9	105	
111	59.2	52.7	46.5	45.0	44.3	42.9	-	-	-	41.9	36.3	33.4	-	-	-	38.8	34.5	111	
118	55.6	49.2	43.7	42.1	41.7	40.8	-	-	-	39.0	34.6	32.2	-	-	-	36.4	32.8	118	
124	52.3	46.3	41.3	39.7	39.4	38.9	-	-	-	36.6	33.2	31.2	-	-	-	34.2	31.6	124	
131	49.0	43.7	38.9	37.3	37.1	36.8	-	-	-	34.2	31.5	30.0	-	-	-	32.2	30.2	131	
138	45.9	40.9	37.3	34.9	34.7	34.9	-	-	-	32.1	29.9	28.8	-	-	-	30.1	28.8	138	
144	43.5	39.1	35.4	33.3	33.1	33.3	-	-	-	30.5	28.7	27.8	-	-	-	28.5	27.8	144	
151	40.7	37.0	34.0	31.2	31.2	31.5	-	-	-	28.6	27.3	26.6	-	-	-	26.8	26.4	151	
157	38.1	35.4	32.4	29.8	29.8	30.0	-	-	-	27.4	26.1	25.6	-	-	-	25.4	25.2	157	
164	-	33.5	30.0	28.2	28.2	28.4	-	-	-	25.8	24.7	24.6	-	-	-	24.0	24.0	164	
177	-	30.2	27.3	25.8	25.3	-	-	-	-	23.6	22.5	22.5	-	-	-	21.6	21.6	177	
190	-	-	-	23.4	22.7	-	-	-	-	21.8	20.5	-	-	-	-	19.4	19.4	190	
203	-	-	-	21.6	20.1	-	-	-	-	20.1	18.7	-	-	-	-	17.6	17.4	203	
216	-	-	-	-	-	-	-	-	-	18.5	17.4	-	-	-	-	16.1	15.7	216	
229	-	-	-	-	-	-	-	-	-	16.8	-	-	-	-	-	14.8	14.1	229	
243	-	-	-	-	-	-	-	-	-	-	-	-	-	-	-	13.2	-	243	

ft	145.7 ft			165.4 ft			185.0 ft			204.7 ft			ft
	0°	20°	40°	0°	20°	40°	0°	20°	40°	0°	20°	40°	
59	55.8	-	-	48.0	-	-	-	-	-	-	-	-	59
65	52.5	-	-	45.0	-	-	39.9	-	-	-	-	-	65
72	49.0	-	-	41.9	-	-	37.1	-	-	32.2	-	-	72
79	45.7	-	-	38.9	-	-	34.5	-	-	29.9	-	-	79
85	43.3	33.7	-	36.7	31.3	-	32.5	-	-	28.0	-	-	85
92	40.5	32.6	-	34.3	29.7	-	30.3	-	-	25.9	-	-	92
98	38.2	31.3	-	32.3	28.5	-	28.5	23.8	-	24.3	-	-	98
105	35.9	30.2	26.2	30.4	27.3	25.7	26.8	22.7	-	22.7	21.1	-	105
111	34.1	29.3	26.0	29.0	26.1	24.7	25.2	21.8	-	21.2	20.1	-	111
118	32.0	28.2	25.5	27.3	24.9	23.6	23.8	20.9	-	19.8	19.1	-	118
124	30.3	27.4	25.1	25.9	23.9	22.6	22.6	20.1	19.4	18.8	18.1	16.8	124
131	28.7	26.2	24.4	24.7	22.9	21.6	21.2	19.4	18.5	17.6	17.2	16.3	131
138	27.0	25.3	24.0	23.5	21.7	20.4	20.0	18.4	17.8	16.5	16.2	15.6	138
144	25.8	24.5	23.4	22.5	20.9	19.8	19.2	17.8	17.0	15.7	15.6	15.2	144
151	24.2	23.5	22.6	21.3	20.0	18.9	18.0	16.9	16.3	14.5	14.7	14.5	151
157	23.2	22.7	21.8	20.5	19.4	18.1	17.2	16.3	15.7	13.9	14.1	14.1	157
164	21.8	21.6	21.1	19.6	18.5	17.4	16.3	15.6	14.9	13.2	13.4	13.4	164
177	19.6	19.8	19.4	17.8	16.9	15.8	14.7	14.3	13.6	11.9	12.1	12.3	177
190	17.8	18.1	17.8	16.1	15.4	14.5	13.2	13.0	12.5	10.8	11.0	11.2	190
203	16.1	16.3	16.3	14.5	13.9	13.4	11.9	11.9	11.4	9.7	10.1	10.1	203
216	14.4	14.6	14.8	13.0	12.6	12.1	10.8	10.6	10.4	8.8	9.0	9.0	216
229	13.0	12.8	-	11.5	11.0	11.0	9.5	9.3	9.3	7.9	8.2	7.9	229
243	11.4	11.4	-	9.8	9.6	-	8.3	8.1	8.3	7.0	7.2	6.5	243
256	10.1	10.1	-	8.5	8.5	-	7.0	7.0	-	5.7	6.1	5.5	256
269	8.8	-	-	7.0	7.4	-	5.7	6.1	-	4.6	-	-	269
282	-	-	-	5.5	-	-	4.4	-	-	-	-	-	282
295	-	-	-	-	-	-	-	-	-	-	-	-	295

Remarks

Counterweight 132,300 lb 176,400 lb 220,500 lb **264,600 lb** **308,700 lb** **352,800 lb** **407,900 lb**

Max. capacities with minimum counterweight

Further counterweight configurations on request



Lifting capacities fixed fly jib



360°

85%

170.0 ft Main boom

Radius ft	27.6 ft			47.2 ft			66.9 ft			86.6 ft			Fly jib			106.3 ft			126.0 ft			Radius ft
	0°	0°	0°	0°	20°	40°	0°	20°	40°	0°	20°	40°	0°	20°	40°	0°	20°	40°				
39	113.5	-	-	-	-	-	-	-	-	-	-	-	-	-	-	-	-	-	-	-	39	
46	101.5	85.0	72.6	-	-	-	-	-	-	-	-	-	-	-	-	-	-	-	-	-	46	
52	92.6	78.5	67.4	57.4	-	-	-	-	-	-	-	-	50.7	-	-	-	-	-	-	-	52	
59	83.8	71.9	61.9	52.9	-	-	-	-	-	-	-	-	46.7	-	-	-	40.5	-	-	-	59	
65	77.6	66.6	57.7	49.3	43.0	-	-	-	-	-	-	-	43.5	-	-	-	37.9	-	-	-	65	
72	71.3	61.4	53.2	45.5	40.1	37.0	-	-	-	-	-	-	39.9	33.7	-	-	35.1	-	-	-	72	
79	65.9	56.7	49.2	42.2	37.3	34.9	-	-	-	-	-	-	36.9	31.6	-	-	32.5	27.7	-	-	79	
85	62.1	53.3	46.4	39.5	35.3	33.1	-	-	-	-	-	-	34.7	29.8	27.1	-	30.3	26.5	-	-	85	
92	58.1	49.5	43.3	36.9	33.0	31.4	-	-	-	-	-	-	32.1	27.9	25.5	-	28.1	25.1	23.7	-	92	
98	54.9	46.7	40.9	34.7	31.4	29.8	-	-	-	-	-	-	30.3	26.5	24.1	-	26.5	23.8	22.5	-	98	
105	51.5	43.8	38.5	32.6	29.5	28.2	-	-	-	-	-	-	28.2	25.1	22.9	-	24.6	22.4	21.1	-	105	
111	48.5	41.4	36.5	31.0	27.9	26.8	-	-	-	-	-	-	26.6	23.9	21.7	-	23.2	21.2	20.1	-	111	
118	45.4	39.0	34.6	29.1	26.4	25.3	-	-	-	-	-	-	25.1	22.5	20.7	-	21.8	19.8	19.1	-	118	
124	43.0	36.8	33.0	27.7	25.0	24.1	-	-	-	-	-	-	23.7	21.4	19.7	-	20.6	18.8	18.1	-	124	
131	40.2	34.6	31.3	26.2	23.8	22.9	-	-	-	-	-	-	22.5	20.5	18.7	-	19.2	17.6	17.2	-	131	
138	37.6	32.7	29.7	24.8	22.6	21.5	-	-	-	-	-	-	21.1	19.3	17.8	-	18.0	16.5	16.2	-	138	
144	35.8	31.1	28.5	23.6	21.6	20.7	-	-	-	-	-	-	20.1	18.5	17.2	-	17.2	15.7	15.6	-	144	
151	33.4	29.3	27.1	22.4	20.7	19.6	-	-	-	-	-	-	18.9	17.8	16.5	-	16.3	14.5	14.7	-	151	
157	31.8	28.0	26.0	21.4	19.9	18.8	-	-	-	-	-	-	18.1	17.0	15.9	-	15.4	13.9	14.1	-	157	
164	30.2	26.6	24.9	20.2	19.1	18.0	-	-	-	-	-	-	17.2	16.3	15.2	-	14.5	13.0	13.4	-	164	
177	27.5	24.2	22.9	18.5	17.6	16.5	-	-	-	-	-	-	15.4	14.7	14.1	-	13.0	11.7	12.1	-	177	
190	-	22.1	21.4	17.0	16.3	-	-	-	-	-	-	-	14.1	13.4	13.2	-	11.7	10.4	11.0	-	190	
203	-	20.3	19.8	15.6	14.8	-	-	-	-	-	-	-	12.8	12.3	12.1	-	10.6	9.5	9.9	-	203	
216	-	-	18.5	14.5	13.2	-	-	-	-	-	-	-	11.7	11.2	-	-	9.5	8.6	8.6	-	216	
229	-	-	-	13.5	11.5	-	-	-	-	-	-	-	10.6	10.4	-	-	8.4	7.7	-	-	229	
243	-	-	-	12.5	-	-	-	-	-	-	-	-	9.9	9.4	-	-	7.4	6.8	-	-	243	
256	-	-	-	-	-	-	-	-	-	-	-	-	9.0	-	-	-	6.3	5.7	-	-	256	
269	-	-	-	-	-	-	-	-	-	-	-	-	-	-	-	-	-	4.6	-	-	269	
282	-	-	-	-	-	-	-	-	-	-	-	-	-	-	-	-	-	-	-	-	282	

ft	145.7 ft			165.4 ft			185.0 ft			204.7 ft			ft
	0°	20°	40°	0°	20°	40°	0°	20°	40°	0°	20°	40°	
65	33.9	-	-	30.6	-	-	-	-	-	-	-	-	65
72	31.5	-	-	28.2	-	-	-	-	-	-	-	-	72
79	29.2	-	-	26.3	-	-	-	-	-	-	-	-	79
85	27.4	-	-	24.5	-	-	-	-	-	-	-	-	85
92	25.3	21.7	-	22.8	19.5	-	-	-	-	-	-	-	92
98	23.7	20.3	-	21.2	18.5	-	-	-	-	-	-	-	98
105	22.2	19.1	-	19.8	17.4	-	-	-	-	-	-	-	105
111	20.8	18.1	17.7	18.4	16.4	15.2	-	-	-	-	-	-	111
118	19.4	16.9	16.7	16.9	15.2	14.5	-	-	-	-	-	-	118
124	18.4	16.1	15.9	15.7	14.4	13.9	-	-	-	-	-	-	124
131	17.2	15.2	15.2	14.5	13.2	13.2	-	-	-	-	-	-	131
138	16.0	14.5	14.5	13.4	12.3	12.5	-	-	-	-	-	-	138
144	15.2	13.9	13.9	12.6	11.7	11.9	-	-	-	-	-	-	144
151	14.3	13.2	13.2	11.6	10.7	11.2	-	-	-	-	-	-	151
157	13.5	12.6	12.6	10.8	10.1	10.6	-	-	-	-	-	-	157
164	12.5	11.9	11.9	9.9	9.4	9.9	-	-	-	-	-	-	164
177	11.2	11.0	10.8	8.3	8.6	8.6	-	-	-	-	-	-	177
190	9.9	9.9	9.7	7.0	-	7.5	-	-	-	-	-	-	190
203	8.6	8.8	8.6	5.9	-	-	-	-	-	-	-	-	203
216	7.5	7.7	7.5	4.8	-	-	-	-	-	-	-	-	216
229	6.4	6.8	6.6	-	-	-	-	-	-	-	-	-	229
243	5.4	5.9	-	-	-	-	-	-	-	-	-	-	243
256	4.6	5.0	-	-	-	-	-	-	-	-	-	-	256

Remarks

Counterweight 132,300 lb 176,400 lb 220,500 lb **264,600 lb** **308,700 lb** **352,800 lb** **407,900 lb**

Max. capacities with minimum counterweight
Further counterweight configurations on request

Lifting capacities fixed fly jib with SSL 0°

360°

85 %

170.0 ft Main boom

Radius ft	27.6 ft		42.2 ft		66.9 ft		Fly jib				106.3 ft				Radius ft
	0°**	0°	0°**	0°	0°**	0°	0°**	0°	20°	40°	0°**	0°	20°	40°	
33	179.0	151.4	-	-	-	-	-	-	-	-	-	-	-	-	33
39	166.7	145.8	146.6	121.7	127.3	96.0	-	73.8	-	-	-	-	-	-	39
46	153.3	139.0	134.3	116.3	115.8	93.2	96.9	73.8	-	-	80.6	61.4	-	-	46
52	142.4	133.4	124.8	111.9	107.2	90.6	90.2	73.0	-	-	75.3	60.6	-	-	52
59	130.8	126.8	114.7	106.5	97.9	87.1	83.1	71.4	63.3	-	70.1	59.3	-	-	59
65	121.5	121.3	106.8	101.8	91.0	84.0	77.9	69.6	59.8	51.3	65.9	57.7	47.6	-	65
72	111.3	115.2	98.5	96.4	83.9	80.1	72.2	66.8	56.0	48.7	61.4	55.8	45.0	-	72
79	102.2	109.3	90.8	91.3	77.6	76.1	67.0	63.8	52.8	46.4	57.4	53.4	42.4	-	79
85	95.1	104.5	84.9	87.0	72.9	72.7	63.2	60.9	50.1	44.6	54.1	51.4	40.4	35.3	85
92	87.3	99.0	78.8	82.1	68.0	68.9	59.0	57.4	47.3	42.5	50.8	48.6	38.3	33.9	92
98	81.5	94.0	73.7	78.1	64.2	65.5	55.9	54.4	45.3	40.9	48.2	46.4	36.5	32.9	98
111	70.3	79.3	64.5	70.4	57.1	58.9	50.0	47.8	41.1	37.6	43.4	41.4	32.9	30.5	111
124	61.1	66.5	56.6	63.8	51.0	53.2	45.0	42.1	37.6	34.7	39.2	36.6	29.9	28.1	124
138	53.0	55.6	49.5	56.7	45.1	48.0	40.5	37.4	34.5	32.1	35.4	32.3	27.0	25.5	138
151	46.9	47.3	44.0	48.4	40.5	44.2	36.7	34.1	31.9	29.9	32.3	29.0	24.6	23.5	151
164	40.5	40.5	39.2	41.6	36.3	41.0	33.3	31.5	29.5	28.0	29.5	26.6	22.9	21.8	164
177	32.7	32.7	35.1	35.7	32.8	38.3	30.4	29.7	27.5	26.2	27.1	24.7	21.4	20.3	177
190	-	-	29.2	29.2	29.6	34.2	27.6	28.2	25.8	-	24.7	22.9	20.0	18.9	190
203	-	-	20.5	20.5	26.7	28.6	24.9	26.9	24.0	-	22.5	21.8	19.2	18.1	203
216	-	-	-	-	22.0	22.1	22.5	25.2	22.5	-	20.5	20.7	18.3	-	216
229	-	-	-	-	-	-	19.7	19.9	19.7	-	18.6	19.6	17.4	-	229
243	-	-	-	-	-	-	12.6	12.6	-	-	16.4	17.7	16.7	-	243
256	-	-	-	-	-	-	-	-	-	-	12.5	12.5	-	-	256

ft	126.0 ft				145.7 ft				165.4 ft				ft	
	0°**	0°	20°	40°	0°**	0°	20°	40°	0°**	0°	20°	40°		
52	66.4	51.4	-	-	-	40.8	-	-	-	47.6	35.9	-	-	52
59	61.9	50.7	-	-	54.2	40.3	-	-	-	45.2	35.5	-	-	59
65	58.3	49.7	-	-	51.2	39.9	-	-	-	42.8	34.6	-	-	65
72	54.5	48.3	40.8	-	47.9	39.0	-	-	-	40.2	33.6	-	-	72
79	51.0	46.6	38.7	-	44.8	38.0	-	-	-	38.2	32.6	28.0	-	79
85	48.2	45.0	36.6	31.8	42.4	36.8	29.8	-	-	36.1	31.4	26.4	-	85
92	45.1	42.9	34.7	30.4	39.8	35.4	28.6	-	-	34.3	30.2	25.2	-	92
98	42.7	40.9	32.9	29.3	37.8	34.2	27.4	-	-	30.5	27.6	22.5	20.1	98
111	38.3	36.5	29.8	27.0	33.6	31.2	25.2	21.8	-	27.2	24.8	20.3	18.3	111
124	34.3	32.4	27.0	25.0	30.3	28.1	23.0	20.3	-	23.9	21.7	18.2	16.7	124
138	31.0	28.1	24.2	22.9	27.0	24.6	20.6	18.9	-	21.5	19.1	16.3	15.2	138
151	28.2	24.8	22.2	21.1	24.6	21.8	18.9	17.6	-	19.1	16.7	14.7	13.8	151
164	25.8	22.2	20.2	19.4	22.2	19.4	17.4	16.3	-	17.2	14.7	13.4	12.8	164
177	23.6	20.3	18.7	17.8	20.3	17.4	15.8	15.2	-	15.6	13.0	12.1	11.7	177
190	21.6	18.7	17.4	16.5	18.5	15.9	14.5	14.3	-	14.1	11.7	11.0	10.8	190
203	19.8	17.6	16.1	15.2	17.0	14.5	13.6	13.2	-	13.0	10.6	10.1	9.9	203
216	18.1	16.7	15.0	14.1	15.4	13.4	12.6	12.3	-	11.9	9.7	9.3	9.0	216
229	16.6	15.9	13.9	-	14.1	12.6	11.9	11.5	-	10.7	8.8	8.5	8.3	229
243	14.9	14.9	12.9	-	12.9	11.8	11.0	-	-	9.9	8.1	7.9	-	243
256	13.4	14.1	11.8	-	11.6	11.2	10.3	-	-	9.0	7.4	7.0	-	256
269	11.2	11.2	-	-	10.5	10.5	9.7	-	-	8.1	7.0	6.4	-	269
282	-	-	-	-	9.4	9.9	9.0	-	-	7.2	6.4	5.5	-	282
295	-	-	-	-	6.2	6.2	-	-	-	5.1	5.1	-	-	295
308	-	-	-	-	-	-	-	-	-	-	-	-	-	308
328	-	-	-	-	-	-	-	-	-	-	-	-	-	328

Remarks

Counterweight 176,400 lb 220,500 lb 264,600 lb 308,700 lb 352,800 lb 407,900 lb

Max. capacities with minimum counterweight
Further counterweight configurations on request

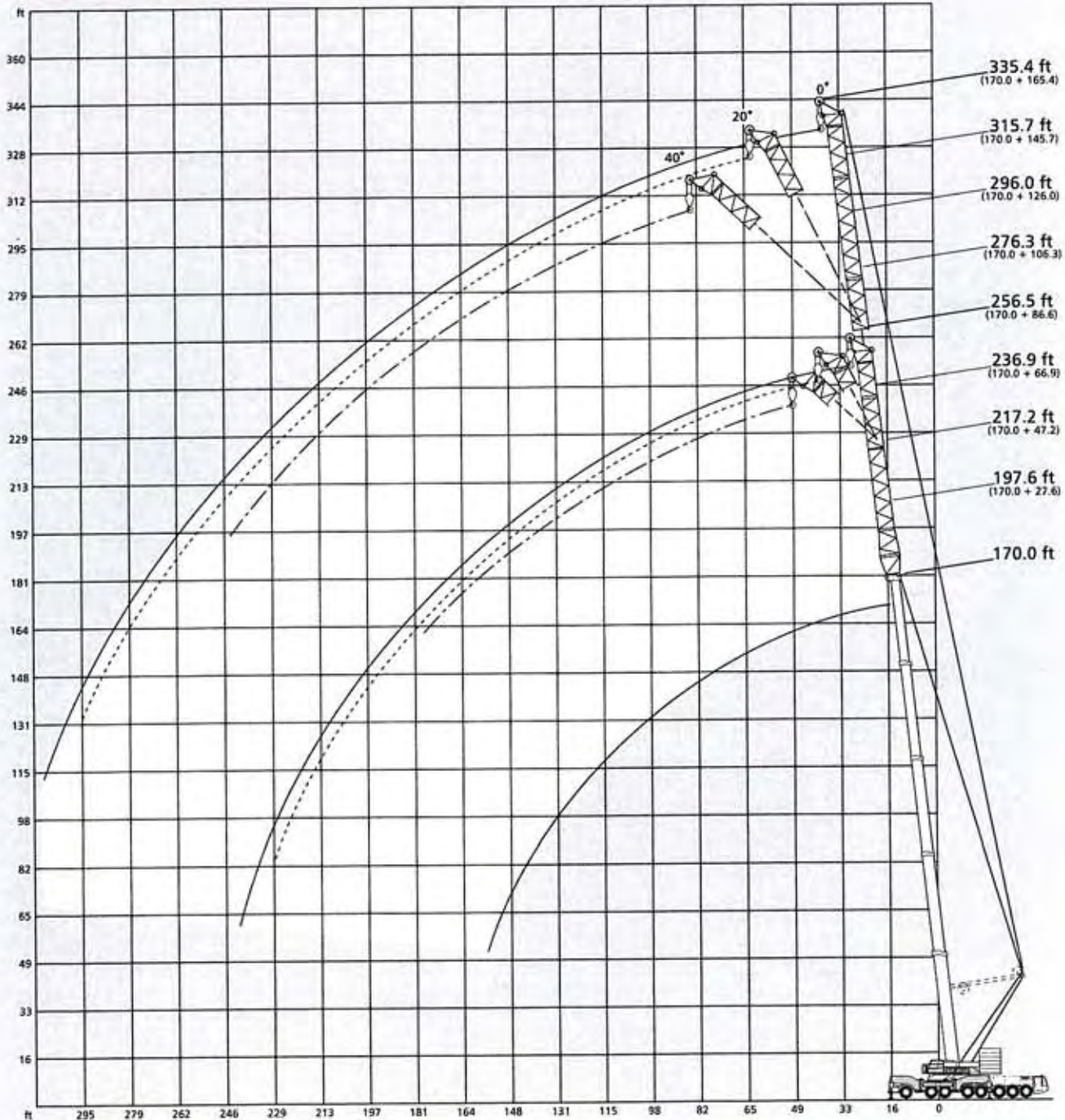
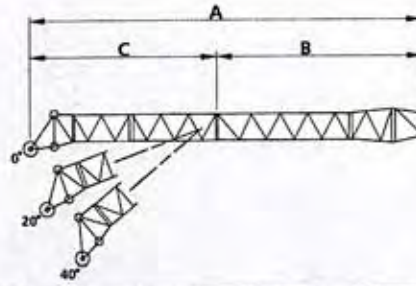
** SSL 30°

Working ranges fixed fly jib

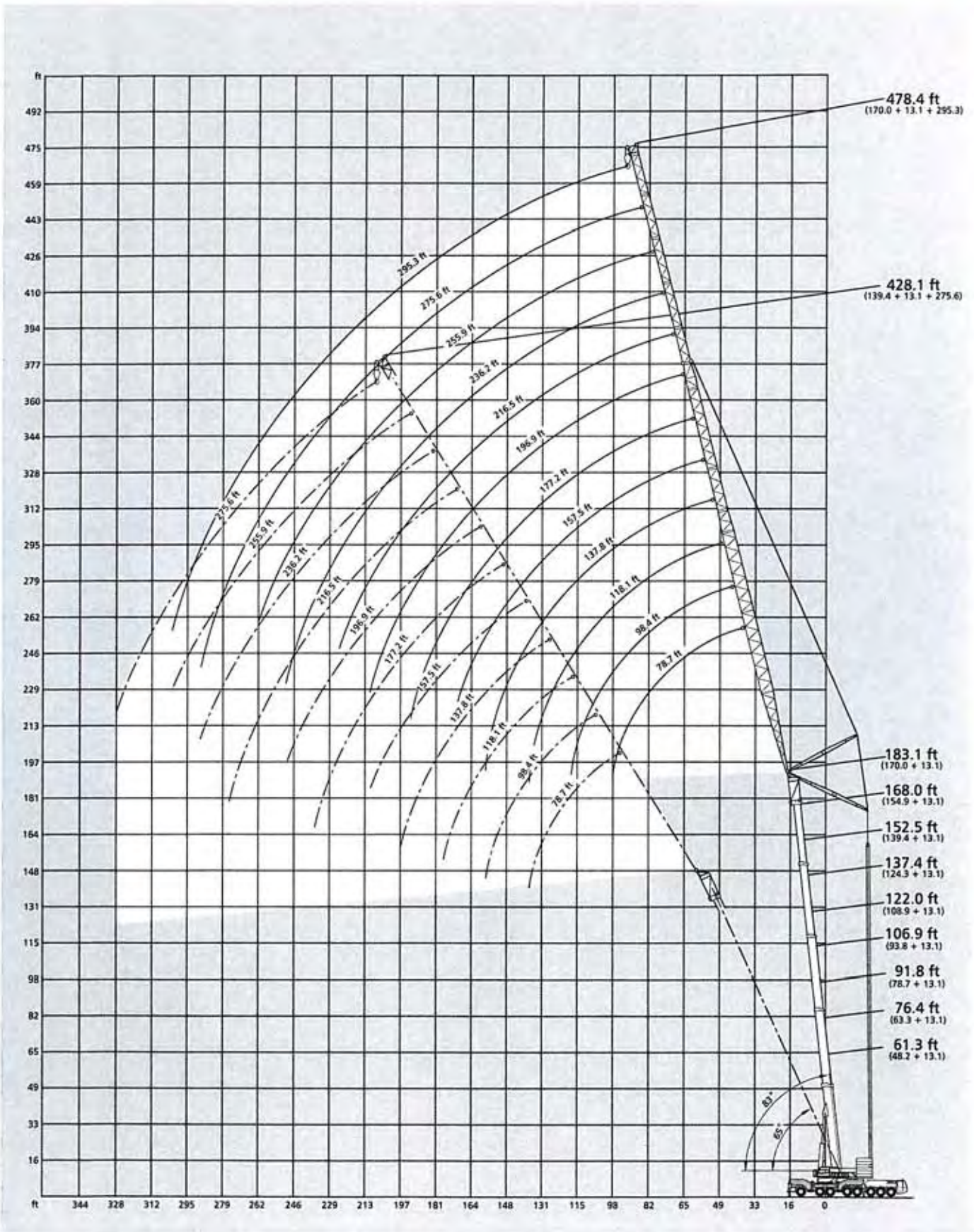
Offset fixed fly jib

A	B	C
0° / 20° / 40°		
86.6 ft	48.9 ft	37.7 ft
106.3 ft	48.9 ft	57.4 ft
126.0 ft	68.6 ft	57.4 ft
145.7 ft	68.6 ft	77.0 ft
165.4 ft	88.2 ft	77.0 ft

(27.6 ft + 47.2 ft + 66.9 ft only 0°)



Working ranges luffing fly jib, main boom 83° to 65°



Lifting capacities luffing fly jib, main boom 83° to 65°



360°

DIN/ISO

61.3 ft* Main boom

Radius ft	78.7 ft			98.4 ft			118.1 ft			137.8 ft			157.5 ft			177.2 ft			Radius ft
	83°	73°	65°	83°	73°	65°	83°	73°	65°	83°	73°	65°	83°	73°	65°	83°	73°	65°	
	Fly jib																		
	1,000 lb																		
46	224.7	-	-	203.8	-	-	173.0	-	-	-	-	-	-	-	-	-	-	-	46
52	213.5	-	-	195.7	-	-	171.0	-	-	143.0	-	-	-	-	-	-	-	-	52
59	199.6	-	-	185.2	-	-	167.5	-	-	142.1	-	-	110.2	-	-	-	-	-	59
65	187.5	181.3	-	176.3	-	-	165.5	-	-	141.0	-	-	110.2	-	-	99.2	-	-	65
72	168.0	162.5	-	165.6	160.2	-	156.7	-	-	140.0	-	-	110.2	-	-	99.2	-	-	72
79	151.4	146.0	-	150.4	144.9	-	148.3	142.8	-	136.4	-	-	110.1	-	-	99.2	-	-	79
85	134.3	134.9	130.6	139.4	133.8	-	137.3	131.7	-	131.3	128.2	-	109.1	-	-	99.2	-	-	85
92	-	123.2	119.9	127.6	122.1	118.8	125.4	119.9	-	125.4	119.9	-	106.8	-	-	99.1	-	-	92
98	-	-	111.9	118.5	114.1	109.8	116.4	111.9	108.5	116.4	111.9	-	104.8	109.1	-	98.1	-	-	98
105	-	-	-	-	104.7	101.4	108.0	103.6	100.2	108.0	102.5	-	101.4	102.5	-	97.0	95.8	-	105
111	-	-	-	-	98.6	95.3	98.9	96.5	93.2	100.9	96.4	93.0	99.3	96.4	-	95.9	93.8	-	111
118	-	-	-	-	-	89.3	81.8	90.4	87.1	93.8	89.4	87.1	93.7	89.4	-	92.6	88.2	-	118
124	-	-	-	-	-	-	-	85.3	82.2	88.7	84.3	82.1	88.6	84.4	81.1	86.6	83.2	-	124
131	-	-	-	-	-	-	-	79.5	77.3	78.6	79.5	76.2	82.8	79.5	76.2	81.7	77.3	73.9	131
138	-	-	-	-	-	-	-	-	72.6	65.7	74.8	71.5	78.0	74.8	71.5	75.9	72.6	70.4	138
144	-	-	-	-	-	-	-	-	-	-	70.7	68.5	73.0	70.7	67.4	72.9	68.5	66.3	144
151	-	-	-	-	-	-	-	-	-	-	67.2	65.0	63.3	66.1	64.5	68.3	65.4	62.7	151
157	-	-	-	-	-	-	-	-	-	-	-	62.1	54.3	63.8	61.5	65.6	62.4	59.9	157
164	-	-	-	-	-	-	-	-	-	-	-	-	-	60.6	58.2	58.6	59.1	56.6	164
170	-	-	-	-	-	-	-	-	-	-	-	-	-	58.0	55.8	51.6	56.4	54.0	170
177	-	-	-	-	-	-	-	-	-	-	-	-	-	-	52.9	43.2	53.6	51.4	177
184	-	-	-	-	-	-	-	-	-	-	-	-	-	-	-	-	51.0	48.8	184
190	-	-	-	-	-	-	-	-	-	-	-	-	-	-	-	-	-	46.8	190
197	-	-	-	-	-	-	-	-	-	-	-	-	-	-	-	-	-	44.7	197
210	-	-	-	-	-	-	-	-	-	-	-	-	-	-	-	-	-	-	210

ft	196.9 ft			216.5 ft			236.2 ft			255.9 ft			275.6 ft			295.3 ft			ft
	83°	73°	65°	83°	73°	65°	83°	73°	65°	83°	73°	65°	83°	73°	65°	83°	73°	65°	
	1,000 lb																		
72	84.8	-	-	-	-	-	-	-	-	-	-	-	-	-	-	-	-	-	72
79	84.8	-	-	72.7	-	-	62.8	-	-	-	-	-	-	-	-	-	-	-	79
85	84.8	-	-	72.7	-	-	62.6	-	-	51.8	-	-	-	-	-	-	-	-	85
92	84.8	-	-	71.6	-	-	62.3	-	-	51.3	-	-	41.6	-	-	-	-	-	92
98	84.8	-	-	71.6	-	-	61.9	-	-	50.9	-	-	41.0	-	-	33.3	-	-	98
105	84.8	-	-	71.6	-	-	61.7	-	-	50.4	-	-	40.3	-	-	32.8	-	-	105
111	84.8	80.5	-	70.6	-	-	61.5	-	-	50.0	-	-	39.7	-	-	32.4	-	-	111
118	84.8	79.3	-	70.5	-	-	61.0	-	-	49.6	-	-	39.2	-	-	31.9	-	-	118
124	84.8	79.3	-	70.5	67.4	-	60.8	-	-	49.2	-	-	38.6	-	-	31.5	-	-	124
131	80.6	76.1	-	69.4	67.2	-	60.2	59.0	-	48.5	-	-	37.9	-	-	30.8	-	-	131
138	75.9	71.5	-	69.4	67.2	-	59.7	59.0	-	48.0	49.5	-	37.2	-	-	30.4	-	-	138
144	71.8	68.5	65.8	68.4	66.1	-	59.3	59.0	-	47.4	48.9	-	36.6	-	-	29.7	-	-	144
151	68.3	64.7	62.1	66.1	63.0	-	58.8	59.0	-	46.7	48.2	-	35.9	37.6	-	29.3	-	-	151
157	65.0	61.5	59.1	63.3	59.7	57.3	58.2	57.8	-	46.1	47.6	-	35.3	36.8	-	28.7	30.0	-	157
164	61.5	58.2	55.7	59.7	56.4	54.0	57.7	54.6	-	45.4	46.9	-	34.6	35.7	-	28.2	29.3	-	164
170	58.7	55.6	53.3	56.9	53.8	51.4	55.3	52.0	49.6	44.6	46.1	-	34.0	34.9	-	27.6	28.7	-	170
177	54.7	52.7	50.5	54.0	50.9	48.7	52.3	49.2	46.8	43.6	45.4	46.1	33.3	34.1	-	27.1	28.0	-	177
184	48.2	50.1	48.1	51.2	48.4	46.2	49.5	46.6	44.2	42.9	44.7	44.0	32.6	33.2	-	26.4	27.3	-	184
190	42.6	48.1	46.1	49.0	46.1	44.1	47.4	44.4	42.2	42.1	44.1	41.9	31.9	32.6	33.7	26.0	26.9	-	190
197	35.7	46.0	43.8	44.2	44.0	42.0	45.1	42.2	40.0	40.9	41.8	39.6	31.2	31.9	32.8	25.3	26.2	-	197
210	-	-	40.3	33.9	40.3	38.3	39.8	38.3	36.3	39.0	38.1	35.9	29.9	30.4	31.5	24.2	25.1	26.2	210
223	-	-	-	-	36.8	35.0	31.3	35.0	33.3	35.9	34.6	32.8	28.6	29.3	30.2	23.1	24.0	24.9	223
236	-	-	-	-	-	-	-	32.2	30.4	30.0	31.7	30.0	27.1	28.2	28.9	22.0	22.9	24.0	236
249	-	-	-	-	-	-	-	-	27.8	22.6	29.1	27.4	25.4	27.3	27.1	21.1	22.0	22.9	249
262	-	-	-	-	-	-	-	-	-	-	26.7	25.2	21.9	26.4	24.7	20.3	21.1	22.0	262
275	-	-	-	-	-	-	-	-	-	-	-	-	-	24.3	22.7	19.4	20.5	21.2	275
289	-	-	-	-	-	-	-	-	-	-	-	-	-	-	20.6	14.4	19.6	19.8	289
302	-	-	-	-	-	-	-	-	-	-	-	-	-	-	-	-	18.5	18.2	302
315	-	-	-	-	-	-	-	-	-	-	-	-	-	-	-	-	-	-	315

Remarks

* Incl. 13.1 ft adapter

Counterweight 132,300 lb 176,400 lb 220,500 lb **264,600 lb** **308,700 lb** **352,800 lb** **407,900 lb**

Max. capacities with minimum counterweight Further counterweight configurations on request





76.4 ft* Main boom

Radius ft	78.7 ft			98.4 ft			118.1 ft			137.8 ft			157.5 ft			177.2 ft			Radius ft
	83°	73°	65°	83°	73°	65°	83°	73°	65°	83°	73°	65°	83°	73°	65°	83°	73°	65°	
	Fly jib																		
	1,000 lb																		
46	220.3	-	-	196.1	-	-	-	-	-	-	-	-	-	-	-	-	-	-	46
52	209.3	-	-	189.1	-	-	160.9	-	-	-	-	-	-	-	-	-	-	-	52
59	196.3	-	-	180.8	-	-	159.8	-	-	133.3	-	-	-	-	-	-	-	-	59
65	185.3	-	-	172.7	-	-	158.7	-	-	133.3	-	-	106.9	-	-	-	-	-	65
72	165.8	158.0	-	163.3	151.3	-	154.4	-	-	132.3	-	-	106.9	-	-	92.5	-	-	72
79	150.4	142.7	-	149.3	140.6	-	147.1	-	-	131.0	-	-	106.9	-	-	92.5	-	-	79
85	138.4	131.6	-	137.3	130.5	-	136.0	127.0	-	126.9	-	-	106.4	-	-	92.5	-	-	85
92	-	119.9	115.5	125.4	118.8	-	124.3	116.6	-	122.2	113.4	-	105.7	-	-	92.5	-	-	92
98	-	111.9	107.5	117.4	110.8	106.3	115.2	108.6	-	115.2	108.4	-	103.7	-	-	92.5	-	-	98
105	-	-	99.1	103.6	102.5	98.0	106.9	100.3	95.8	105.8	100.3	-	101.4	99.1	-	91.4	-	-	105
111	-	-	-	-	96.4	92.0	99.8	94.2	89.8	99.7	94.2	-	99.3	93.1	-	91.4	89.4	-	111
118	-	-	-	-	89.4	86.0	89.4	87.1	83.8	92.7	87.1	82.7	92.7	87.1	-	90.4	84.9	-	118
124	-	-	-	-	-	81.0	73.4	83.1	78.8	87.6	82.1	78.7	87.6	82.1	-	85.4	79.9	-	124
131	-	-	-	-	-	-	-	77.3	74.0	81.7	77.3	74.0	81.7	77.3	72.9	80.6	75.1	-	131
138	-	-	-	-	-	-	-	72.6	69.3	72.3	72.6	69.3	77.0	72.6	68.2	75.9	70.4	-	138
144	-	-	-	-	-	-	-	-	66.3	-	68.5	65.8	72.9	68.5	65.4	71.8	66.3	63.7	144
151	-	-	-	-	-	-	-	-	-	-	65.4	62.3	68.2	64.9	61.9	67.2	63.4	60.1	151
157	-	-	-	-	-	-	-	-	-	-	62.6	59.3	59.7	61.9	58.8	64.7	60.4	57.1	157
164	-	-	-	-	-	-	-	-	-	-	-	56.2	-	58.8	55.7	61.3	57.1	54.0	164
170	-	-	-	-	-	-	-	-	-	-	-	-	-	56.2	53.3	56.0	54.7	51.6	170
177	-	-	-	-	-	-	-	-	-	-	-	-	-	-	50.7	47.8	51.8	49.0	177
184	-	-	-	-	-	-	-	-	-	-	-	-	-	-	48.1	-	49.2	46.4	184
190	-	-	-	-	-	-	-	-	-	-	-	-	-	-	-	47.2	44.6	-	190
197	-	-	-	-	-	-	-	-	-	-	-	-	-	-	-	-	42.5	-	197
210	-	-	-	-	-	-	-	-	-	-	-	-	-	-	-	-	-	-	210

ft	196.9 ft			216.5 ft			236.2 ft			255.9 ft			275.6 ft			295.3 ft			ft
	83°	73°	65°	83°	73°	65°	83°	73°	65°	83°	73°	65°	83°	73°	65°	83°	73°	65°	
	1,000 lb																		
72	79.3	-	-	-	-	-	-	-	-	-	-	-	-	-	-	-	-	-	72
79	79.3	-	-	65.4	-	-	-	-	-	-	-	-	-	-	-	-	-	-	79
85	79.3	-	-	65.4	-	-	56.0	-	-	-	-	-	-	-	-	-	-	-	85
92	79.3	-	-	65.4	-	-	55.9	-	-	48.0	-	-	38.7	-	-	-	-	-	92
98	79.3	-	-	65.2	-	-	55.8	-	-	47.8	-	-	38.3	-	-	30.8	-	-	98
105	79.3	-	-	65.2	-	-	55.7	-	-	47.6	-	-	37.9	-	-	30.4	-	-	105
111	79.3	-	-	65.0	-	-	55.5	-	-	47.6	-	-	37.5	-	-	30.2	-	-	111
118	79.3	73.8	-	64.8	-	-	55.5	-	-	47.1	-	-	37.0	-	-	29.7	-	-	118
124	79.3	72.8	-	64.6	-	-	55.3	-	-	46.9	-	-	36.6	-	-	29.5	-	-	124
131	79.3	71.6	-	64.3	63.0	-	55.1	-	-	46.7	-	-	36.1	-	-	29.1	-	-	131
138	74.8	69.3	-	64.1	62.5	-	54.8	54.2	-	46.2	-	-	35.7	-	-	28.6	-	-	138
144	70.7	66.3	-	63.7	62.1	-	54.6	54.0	-	45.8	46.5	-	35.2	-	-	28.2	-	-	144
151	67.2	62.7	59.2	63.4	60.8	-	54.4	53.7	-	45.4	46.5	-	34.6	-	-	27.9	-	-	151
157	63.9	59.7	56.4	62.0	57.7	-	54.2	53.3	-	45.0	46.1	-	34.2	34.2	-	27.5	-	-	157
164	60.6	56.4	53.3	58.8	54.4	51.3	54.0	52.6	-	44.5	45.8	-	33.5	33.2	-	27.1	27.5	-	164
170	58.0	53.8	50.7	56.0	52.0	48.9	53.6	50.2	-	43.9	45.4	-	33.1	32.6	-	26.7	26.9	-	170
177	54.9	50.9	48.1	53.2	49.2	46.3	51.4	47.4	44.3	43.2	44.9	-	32.4	31.9	-	26.2	26.2	-	177
184	52.2	48.6	45.7	50.6	46.6	43.7	48.8	44.8	42.0	42.5	44.2	-	31.9	31.2	-	25.7	25.7	-	184
190	46.5	46.6	43.7	48.3	44.6	41.7	46.6	42.8	40.0	41.9	42.4	39.5	31.3	30.4	-	25.3	25.1	-	190
197	39.5	44.2	41.6	45.9	42.5	39.6	44.2	40.5	37.8	40.9	40.3	37.4	30.6	29.9	30.1	24.6	24.6	-	197
210	-	40.7	38.1	37.2	38.7	36.1	40.3	37.0	34.3	39.2	36.5	33.9	29.5	28.6	28.8	23.8	23.5	24.9	210
223	-	-	35.2	-	35.5	33.0	34.4	33.7	31.3	36.6	33.3	30.8	28.0	27.5	27.3	22.9	22.7	23.8	223
236	-	-	-	-	30.4	-	25.2	30.9	28.4	32.9	30.4	28.0	26.6	26.4	26.2	22.0	21.8	22.5	236
249	-	-	-	-	-	-	-	28.2	26.0	25.3	27.8	25.6	25.1	25.5	25.1	21.1	20.9	21.4	249
262	-	-	-	-	-	-	-	-	-	-	25.4	23.4	23.8	24.7	23.0	20.5	20.0	20.5	262
275	-	-	-	-	-	-	-	-	-	-	-	21.4	17.7	23.2	21.0	19.6	19.4	19.6	275
289	-	-	-	-	-	-	-	-	-	-	-	-	-	21.1	19.1	16.6	18.7	18.2	289
302	-	-	-	-	-	-	-	-	-	-	-	-	-	-	-	18.0	16.7	-	302
315	-	-	-	-	-	-	-	-	-	-	-	-	-	-	-	-	15.2	-	315

Remarks

* incl. 13.1 ft adapter

Counterweight 132,300 lb 176,400 lb 220,500 lb 264,600 lb 308,700 lb 352,800 lb 407,900 lb

Max. capacities with minimum counterweight Further counterweight configurations on request

Lifting capacities luffing fly jib, main boom 83° to 65°

360° DIN/ISO

91.8 ft* Main boom

Radius ft	78.7 ft			98.4 ft			118.1 ft			137.8 ft			157.5 ft			177.2 ft			Radius ft	
	83°	73°	65°	83°	73°	65°	83°	73°	65°	83°	73°	65°	83°	73°	65°	83°	73°	65°		
1,000 lb																				
52	207.1	-	-	183.4	-	-	-	-	-	-	-	-	-	-	-	-	-	-	52	
59	193.0	-	-	175.3	-	-	152.1	-	-	126.7	-	-	-	-	-	-	-	-	59	
65	182.0	-	-	169.2	-	-	152.1	-	-	126.7	-	-	105.8	-	-	-	-	-	65	
72	164.7	-	-	160.0	-	-	151.0	-	-	126.7	-	-	105.8	-	-	-	-	-	72	
79	148.3	135.2	-	147.2	133.1	-	145.0	-	-	126.5	-	-	105.8	-	-	88.1	-	-	79	
85	137.3	127.1	-	136.1	126.0	-	133.9	-	-	123.5	-	-	105.8	-	-	88.1	-	-	85	
92	-	117.7	-	124.3	116.6	-	123.2	111.1	-	120.0	-	-	104.6	-	-	88.1	-	-	92	
98	-	109.7	104.1	116.3	108.6	-	114.1	105.1	-	113.9	102.8	-	102.6	-	-	88.1	-	-	98	
105	-	101.4	95.8	106.9	100.3	94.7	105.8	98.0	-	104.7	96.9	-	101.4	93.6	-	87.0	-	-	105	
111	-	-	90.8	-	94.2	88.7	98.7	92.0	-	98.6	91.9	-	98.3	90.6	-	87.0	-	-	111	
118	-	-	-	-	87.1	82.7	91.6	86.0	80.5	91.6	84.9	-	91.6	84.9	-	87.0	82.7	-	118	
124	-	-	-	-	83.1	77.7	80.6	81.0	76.5	86.5	79.9	75.4	86.5	79.9	-	85.1	78.7	-	124	
131	-	-	-	-	-	72.9	-	75.1	70.7	81.7	75.1	70.7	80.6	75.1	-	79.5	72.9	-	131	
138	-	-	-	-	-	-	-	71.5	67.1	75.7	70.4	66.0	75.9	70.4	66.0	74.8	68.2	-	138	
144	-	-	-	-	-	-	-	-	63.9	63.9	65.8	67.4	63.4	63.4	71.8	66.3	63.0	70.7	65.4	144
151	-	-	-	-	-	-	-	-	-	60.3	-	-	63.8	59.9	68.2	63.4	59.4	67.2	61.6	151
157	-	-	-	-	-	-	-	-	-	-	-	-	60.8	57.1	64.0	60.4	56.6	63.9	58.8	157
164	-	-	-	-	-	-	-	-	-	-	-	-	-	54.0	52.9	57.3	53.5	60.6	55.5	164
170	-	-	-	-	-	-	-	-	-	-	-	-	-	-	51.8	54.7	51.1	58.0	53.1	170
177	-	-	-	-	-	-	-	-	-	-	-	-	-	-	-	52.0	48.5	51.5	50.3	177
184	-	-	-	-	-	-	-	-	-	-	-	-	-	-	-	-	46.2	42.4	47.9	184
190	-	-	-	-	-	-	-	-	-	-	-	-	-	-	-	-	44.4	-	45.9	190
197	-	-	-	-	-	-	-	-	-	-	-	-	-	-	-	-	-	43.8	40.5	197
210	-	-	-	-	-	-	-	-	-	-	-	-	-	-	-	-	-	-	37.2	210
223	-	-	-	-	-	-	-	-	-	-	-	-	-	-	-	-	-	-	-	223

ft	196.9 ft		216.5 ft		236.2 ft		255.9 ft		275.6 ft		295.3 ft		ft
	83°	73°	83°	73°	83°	73°	83°	73°	83°	73°	83°	73°	
1,000 lb													
79	76.0	-	59.5	-	-	-	-	-	-	-	-	-	79
85	76.0	-	59.5	-	50.7	-	-	-	-	-	-	-	85
92	76.0	-	59.5	-	50.7	-	44.9	-	-	-	-	-	92
98	76.0	-	59.5	-	50.7	-	44.9	-	36.1	-	-	-	98
105	76.0	-	59.5	-	50.7	-	44.9	-	35.9	-	28.4	-	105
111	76.0	-	59.5	-	50.7	-	44.9	-	35.5	-	28.2	-	111
118	76.0	-	59.5	-	50.7	-	44.9	-	35.2	-	28.0	-	118
124	76.0	69.6	59.5	-	50.7	-	44.9	-	35.0	-	27.8	-	124
131	76.0	67.3	59.5	59.5	50.7	-	44.9	-	34.6	-	27.5	-	131
138	73.7	65.6	59.5	58.6	50.7	-	44.9	-	34.3	-	27.3	-	138
144	69.6	64.2	59.5	58.0	50.7	50.5	44.5	-	33.9	-	26.9	-	144
151	66.1	61.0	59.5	57.3	50.7	50.2	44.3	44.0	33.5	-	26.6	-	151
157	63.2	58.0	59.5	56.0	50.7	49.8	44.1	43.8	33.1	32.0	26.4	-	157
164	59.9	54.9	58.2	52.9	50.7	49.3	43.6	43.4	32.6	31.3	26.0	-	164
170	57.1	52.2	55.4	50.5	50.7	48.3	43.2	43.2	32.2	30.7	25.7	25.4	170
177	54.3	49.6	52.5	47.6	50.7	45.9	42.7	42.9	31.7	30.0	25.3	24.9	177
184	51.7	47.0	49.9	45.3	48.1	43.3	42.0	42.6	31.2	29.2	24.9	24.4	184
190	49.4	45.0	47.7	43.3	45.9	41.3	41.6	41.0	30.8	28.6	24.7	23.8	190
197	42.8	42.9	45.3	41.1	43.6	39.2	40.9	38.9	30.4	28.2	24.2	23.3	197
210	-	39.4	40.1	37.4	39.8	35.7	39.4	35.2	29.3	27.1	23.5	22.4	210
223	-	-	34.2	31.3	36.4	32.4	35.9	31.9	28.2	26.0	22.7	21.6	223
236	-	-	31.5	28.7	28.5	29.5	32.9	29.1	27.1	25.1	22.0	20.7	236
249	-	-	-	26.5	-	27.1	27.4	26.7	26.0	24.2	21.1	19.8	249
262	-	-	-	-	-	22.3	-	24.5	24.7	23.6	20.5	19.2	262
275	-	-	-	-	-	-	-	22.3	19.6	22.1	19.8	18.5	275
289	-	-	-	-	-	-	-	-	-	20.2	17.8	16.9	289
302	-	-	-	-	-	-	-	-	-	-	16.2	15.1	302
315	-	-	-	-	-	-	-	-	-	-	-	13.8	315
328	-	-	-	-	-	-	-	-	-	-	-	-	328

Remarks

* incl. 13.1 ft adapter

Counterweight 132,300 lb 176,400 lb 220,500 lb 264,600 lb 308,700 lb 352,800 lb 407,900 lb

Max. capacities with minimum counterweight Further counterweight configurations on request

106.9 ft* Main boom

Radius ft	78.7 ft			98.4 ft			118.1 ft			Fly jib 137.8 ft			157.5 ft			177.2 ft			Radius ft
	83°	73°	65°	83°	73°	65°	83°	73°	65°	83°	73°	65°	83°	73°	65°	83°	73°	65°	
	1,000 lb																		
52	184.9	-	-	165.8	-	-	-	-	-	-	-	-	-	-	-	-	-	-	52
59	172.0	-	-	157.6	-	-	138.9	-	-	-	-	-	-	-	-	-	-	-	59
65	162.8	-	-	151.6	-	-	136.8	-	-	114.8	-	-	-	-	-	-	-	-	65
72	152.3	-	-	144.5	-	-	134.5	-	-	113.5	-	-	95.9	-	-	-	-	-	72
79	143.0	-	-	136.4	-	-	129.8	-	-	113.4	-	-	94.7	-	-	80.4	-	-	79
85	135.9	113.9	-	131.3	112.7	-	124.7	-	-	111.4	-	-	94.7	-	-	80.4	-	-	85
92	124.3	106.8	-	123.2	104.6	-	117.8	-	-	107.9	-	-	94.7	-	-	80.4	-	-	92
98	-	101.8	-	115.2	99.6	-	112.8	92.8	-	104.8	-	-	92.7	-	-	79.3	-	-	98
105	-	99.2	87.0	106.9	94.7	-	104.7	88.1	-	100.3	84.8	-	90.3	-	-	79.3	-	-	105
111	-	-	83.0	95.8	90.7	80.7	97.6	85.1	-	96.2	80.8	-	89.3	79.6	-	78.3	-	-	111
118	-	-	80.5	-	86.0	77.2	91.5	81.6	-	91.5	77.2	-	87.1	76.1	-	77.1	-	-	118
124	-	-	-	-	81.0	73.2	86.4	78.4	69.9	85.5	74.1	-	85.1	73.0	-	77.1	69.9	-	124
131	-	-	-	-	-	70.6	-	74.0	66.2	80.6	71.7	-	80.6	70.6	-	76.0	67.3	-	131
138	-	-	-	-	-	67.1	-	69.3	64.3	75.8	68.2	60.5	75.9	67.1	-	73.7	64.9	-	138
144	-	-	-	-	-	-	-	66.3	62.0	70.8	66.0	58.3	71.8	65.7	58.5	69.6	62.7	-	144
151	-	-	-	-	-	-	-	-	58.6	-	62.5	55.7	67.2	62.1	55.9	66.1	60.1	-	151
157	-	-	-	-	-	-	-	-	55.7	-	59.5	54.3	64.9	59.3	54.1	63.4	57.5	52.1	157
164	-	-	-	-	-	-	-	-	-	-	56.4	52.2	57.1	56.0	51.8	59.9	54.2	49.8	164
170	-	-	-	-	-	-	-	-	-	-	-	50.0	-	53.5	49.6	57.3	51.8	47.8	170
177	-	-	-	-	-	-	-	-	-	-	-	47.6	-	50.9	47.0	54.5	49.2	45.2	177
184	-	-	-	-	-	-	-	-	-	-	-	-	-	48.4	44.6	46.6	46.8	42.9	184
190	-	-	-	-	-	-	-	-	-	-	-	-	-	-	42.8	-	44.8	41.0	190
197	-	-	-	-	-	-	-	-	-	-	-	-	-	-	40.9	-	42.7	39.2	197
210	-	-	-	-	-	-	-	-	-	-	-	-	-	-	-	-	35.7	-	210
223	-	-	-	-	-	-	-	-	-	-	-	-	-	-	-	-	-	-	223

ft	196.9 ft			216.5 ft			236.2 ft			255.9 ft			275.6 ft			295.3 ft			ft
	83°	73°	65°	83°	73°	65°	83°	73°	65°	83°	73°	65°	83°	73°	65°	83°	73°	65°	
	1,000 lb																		
79	70.5	-	-	-	-	-	-	-	-	-	-	-	-	-	-	-	-	-	79
85	70.5	-	-	55.9	-	-	-	-	-	-	-	-	-	-	-	-	-	-	85
92	70.5	-	-	55.9	-	-	47.3	-	-	-	-	-	-	-	-	-	-	-	92
98	69.5	-	-	55.7	-	-	47.1	-	-	41.6	-	-	-	-	-	-	-	-	98
105	69.4	-	-	55.5	-	-	47.1	-	-	41.6	-	-	33.5	-	-	-	-	-	105
111	69.4	-	-	55.3	-	-	46.9	-	-	41.6	-	-	33.3	-	-	26.4	-	-	111
118	68.3	-	-	55.1	-	-	46.9	-	-	41.4	-	-	33.0	-	-	26.2	-	-	118
124	68.3	-	-	54.9	-	-	46.7	-	-	41.4	-	-	32.6	-	-	26.0	-	-	124
131	68.3	61.1	-	54.8	-	-	46.7	-	-	41.2	-	-	32.4	-	-	25.8	-	-	131
138	67.2	59.0	-	54.6	52.8	-	46.5	-	-	41.2	-	-	32.1	-	-	25.7	-	-	138
144	67.2	57.4	-	54.4	52.0	-	46.3	-	-	41.0	-	-	31.9	-	-	25.5	-	-	144
151	65.8	55.3	-	54.2	51.1	-	46.2	44.7	-	40.7	-	-	31.7	-	-	25.3	-	-	151
157	62.6	53.9	-	54.0	50.1	-	46.0	43.9	-	40.5	39.2	-	31.5	-	-	24.9	-	-	157
164	59.3	52.2	-	53.7	48.9	-	46.0	43.2	-	40.3	39.2	-	31.3	28.8	-	24.6	-	-	164
170	56.6	51.0	46.2	53.1	47.7	-	45.8	42.4	-	40.1	39.0	-	30.9	28.2	-	24.4	-	-	170
177	53.8	48.3	44.1	52.0	46.5	-	45.6	41.4	-	39.9	38.8	-	30.6	27.7	-	24.2	22.9	-	177
184	51.0	45.9	42.0	49.2	44.2	40.2	45.1	40.5	-	39.4	38.1	-	30.4	27.0	-	24.0	22.4	-	184
190	49.0	43.9	40.2	47.2	42.2	38.2	44.7	39.7	36.2	39.2	37.7	-	30.2	26.6	-	23.8	22.0	-	190
197	46.3	41.8	38.3	44.9	40.0	36.3	43.1	38.1	34.3	38.7	37.0	-	29.7	26.0	-	23.5	21.5	-	197
210	-	38.3	35.0	40.9	36.3	33.0	39.2	34.6	31.0	37.9	34.1	30.6	29.0	25.1	-	22.9	20.7	-	210
223	-	35.2	31.9	31.1	33.3	30.0	35.9	31.5	28.0	35.5	31.1	27.5	28.4	24.2	22.7	22.4	20.0	-	223
236	-	-	29.5	-	30.6	27.3	30.7	28.7	25.6	32.6	28.2	24.9	27.5	23.3	21.1	21.8	19.1	20.3	236
249	-	-	-	-	25.1	-	-	26.2	23.2	29.1	25.8	22.7	26.6	22.5	20.0	21.3	18.5	19.2	249
262	-	-	-	-	-	-	-	24.1	21.2	20.8	23.6	20.5	25.8	21.8	18.9	20.7	17.8	17.9	262
275	-	-	-	-	-	-	-	19.4	-	-	21.6	18.8	21.1	21.1	18.1	20.0	17.2	16.8	275
289	-	-	-	-	-	-	-	-	-	-	-	16.9	-	19.3	16.7	19.2	16.7	15.6	289
302	-	-	-	-	-	-	-	-	-	-	-	-	-	-	15.1	-	16.0	14.3	302
315	-	-	-	-	-	-	-	-	-	-	-	-	-	-	-	-	15.4	12.7	315
328	-	-	-	-	-	-	-	-	-	-	-	-	-	-	-	-	-	11.6	328

Remarks

* incl. 13.1 ft adapter

Counterweight 132,300 lb 176,400 lb 220,500 lb 264,600 lb 308,700 lb 352,800 lb 407,900 lb

Max. capacities with minimum counterweight Further counterweight configurations on request

Lifting capacities luffing fly jib, main boom 83° to 65°

360° **DIN/ISO**

122.0 ft* Main boom		Fly jib															Radius							
		78.7 ft			98.4 ft			118.1 ft			137.8 ft			157.5 ft			177.2 ft							
Radius	ft	83°	73°	65°	83°	73°	65°	83°	73°	65°	83°	73°	65°	83°	73°	65°	83°	73°	65°	83°	73°	65°	Radius	ft
1,000 lb																								
59		155.5	-	-	140.0	-	-	-	-	-	-	-	-	-	-	-	-	-	-	-	-	-	59	
65		146.3	-	-	134.0	-	-	-	-	-	-	-	-	-	-	-	-	-	-	-	-	-	65	
72		136.9	-	-	126.9	-	-	-	-	-	-	-	-	-	-	-	-	-	-	-	-	-	72	
79		129.8	-	-	121.0	-	-	-	-	-	-	-	-	-	-	-	-	-	-	-	-	-	79	
85		124.8	-	-	117.0	-	-	-	-	-	-	-	-	-	-	-	-	-	-	-	-	-	85	
92		122.3	95.8	-	112.3	94.6	-	-	-	-	-	-	-	-	-	-	-	-	-	-	-	-	92	
98		-	90.8	-	109.2	88.6	-	-	-	-	-	-	-	-	-	-	-	-	-	-	-	-	98	
105		-	88.1	-	105.8	83.7	-	-	-	-	-	-	-	-	-	-	-	-	-	-	-	-	105	
111		-	85.1	73.0	99.7	79.7	-	-	-	-	-	-	-	-	-	-	-	-	-	-	-	-	111	
118		-	-	-	-	77.1	67.2	-	-	-	-	-	-	-	-	-	-	-	-	-	-	-	118	
124		-	-	69.5	-	75.1	64.6	-	-	-	-	-	-	-	-	-	-	-	-	-	-	-	124	
131		-	-	66.4	-	-	-	-	-	-	-	-	-	-	-	-	-	-	-	-	-	-	131	
138		-	-	-	-	73.8	61.8	-	-	-	-	-	-	-	-	-	-	-	-	-	-	-	138	
144		-	-	-	-	-	59.2	-	-	-	-	-	-	-	-	-	-	-	-	-	-	-	144	
151		-	-	-	-	-	57.8	-	-	-	-	-	-	-	-	-	-	-	-	-	-	-	151	
157		-	-	-	-	-	-	-	-	-	-	-	-	-	-	-	-	-	-	-	-	-	157	
164		-	-	-	-	-	-	-	-	-	-	-	-	-	-	-	-	-	-	-	-	-	164	
170		-	-	-	-	-	-	-	-	-	-	-	-	-	-	-	-	-	-	-	-	-	170	
177		-	-	-	-	-	-	-	-	-	-	-	-	-	-	-	-	-	-	-	-	-	177	
184		-	-	-	-	-	-	-	-	-	-	-	-	-	-	-	-	-	-	-	-	-	184	
190		-	-	-	-	-	-	-	-	-	-	-	-	-	-	-	-	-	-	-	-	-	190	
197		-	-	-	-	-	-	-	-	-	-	-	-	-	-	-	-	-	-	-	-	-	197	
210		-	-	-	-	-	-	-	-	-	-	-	-	-	-	-	-	-	-	-	-	-	210	
223		-	-	-	-	-	-	-	-	-	-	-	-	-	-	-	-	-	-	-	-	-	223	
236		-	-	-	-	-	-	-	-	-	-	-	-	-	-	-	-	-	-	-	-	-	236	

		196.9 ft			216.5 ft			236.2 ft			255.9 ft			275.6 ft			295.3 ft			ft		
		1,000 lb																				
ft		83°	73°	65°	83°	73°	65°	83°	73°	65°	83°	73°	65°	83°	73°	65°	83°	73°	65°	ft		
85		66.1	-	-	-	-	-	-	-	-	-	-	-	-	-	-	-	-	-	-	85	
92		65.8	-	-	52.4	-	-	-	-	-	-	-	-	-	-	-	-	-	-	-	92	
98		65.2	-	-	52.2	-	-	43.8	-	-	-	-	-	-	-	-	-	-	-	-	98	
105		64.3	-	-	51.8	-	-	43.6	-	-	38.1	-	-	30.8	-	-	-	-	-	-	105	
111		63.7	-	-	51.6	-	-	43.4	-	-	37.9	-	-	30.8	-	-	24.7	-	-	-	111	
118		63.0	-	-	51.1	-	-	43.2	-	-	37.9	-	-	30.6	-	-	24.4	-	-	-	118	
124		62.4	-	-	50.7	-	-	43.0	-	-	37.7	-	-	30.4	-	-	24.2	-	-	-	124	
131		61.9	-	-	50.4	-	-	42.7	-	-	37.6	-	-	30.2	-	-	24.2	-	-	-	131	
138		61.2	54.1	-	50.0	-	-	42.5	-	-	37.4	-	-	29.9	-	-	24.0	-	-	-	138	
144		60.6	52.1	-	49.8	47.7	-	42.3	-	-	37.4	-	-	29.9	-	-	23.8	-	-	-	144	
151		60.1	50.0	-	49.3	46.0	-	42.1	-	-	37.2	-	-	29.7	-	-	23.8	-	-	-	151	
157		59.3	48.4	-	48.9	44.6	-	41.9	40.0	-	37.2	-	-	29.5	-	-	23.6	-	-	-	157	
164		58.4	46.7	-	48.7	43.0	-	41.8	38.8	-	37.0	35.2	-	29.5	-	-	23.3	-	-	-	164	
170		56.2	45.3	-	48.3	41.7	-	41.6	37.8	-	37.0	34.8	-	29.3	26.5	-	23.3	-	-	-	170	
177		53.4	43.6	38.6	47.8	40.3	-	41.4	36.6	-	36.8	34.6	-	29.1	25.8	-	23.1	-	-	-	177	
184		50.8	42.5	36.9	47.3	38.9	-	41.2	35.4	-	36.5	33.9	-	29.0	25.3	-	22.9	20.9	-	-	184	
190		48.6	41.4	35.7	46.7	37.9	33.1	41.0	34.6	-	36.5	33.3	-	28.8	24.9	-	22.9	20.5	-	-	190	
197		46.4	40.5	34.5	44.4	36.7	31.7	40.5	33.7	-	36.3	32.6	-	28.8	24.2	-	22.7	20.0	-	-	197	
210		-	37.6	32.1	40.7	34.8	29.3	39.0	31.9	27.1	35.9	30.8	25.3	28.6	23.3	-	22.4	19.3	-	-	210	
223		-	34.6	30.6	34.4	32.6	27.5	35.5	30.6	24.9	35.2	29.1	23.8	28.2	22.4	20.5	22.0	18.7	-	-	223	
236		-	-	28.4	-	29.8	26.2	32.6	28.0	23.3	32.2	27.3	22.5	27.5	21.8	19.2	21.6	18.0	19.6	-	-	236
249		-	-	-	-	-	24.3	-	25.6	22.2	29.6	25.1	20.9	26.9	21.1	17.8	21.3	17.4	18.1	-	-	249
262		-	-	-	-	-	22.3	-	23.4	20.1	22.7	23.0	19.6	26.4	20.5	16.5	20.7	16.7	17.0	-	-	262
275		-	-	-	-	-	-	-	18.3	-	-	21.0	17.9	22.6	20.0	15.6	20.3	16.3	15.9	-	-	275
289		-	-	-	-	-	-	-	-	-	-	-	16.0	-	18.7	14.7	19.5	15.8	14.7	-	-	289
302		-	-	-	-	-	-	-	-	-	-	-	-	-	-	13.8	-	15.2	13.4	-	-	302
315		-	-	-	-	-	-	-	-	-	-	-	-	-	-	13.0	-	14.5	11.9	-	-	315
328		-	-	-	-	-	-	-	-	-	-	-	-	-	-	-	-	-	10.8	-	-	328
341		-	-	-	-	-	-	-	-	-	-	-	-	-	-	-	-	-	-	-	-	341

Remarks

* incl. 13.1 ft adapter

Counterweight 132,300 lb 176,400 lb 220,500 lb **264,600 lb** **308,700 lb** **352,800 lb** **407,900 lb**

Max. capacities with minimum counterweight Further counterweight configurations on request



137.4 ft* Main boom

Radius ft	Fly jib																		Radius ft
	78.7 ft			98.4 ft			118.1 ft			137.8 ft			157.5 ft			177.2 ft			
	83°	73°	65°	83°	73°	65°	83°	73°	65°	83°	73°	65°	83°	73°	65°	83°	73°	65°	
	1,000 lb																		
59	130.1	-	-	117.9	-	-	-	-	-	-	-	-	-	-	-	-	-	-	59
65	122.9	-	-	113.0	-	-	106.2	-	-	-	-	-	-	-	-	-	-	-	65
72	114.8	-	-	108.1	-	-	101.5	-	-	88.2	-	-	-	-	-	-	-	-	72
79	107.8	-	-	102.3	-	-	96.8	-	-	85.8	-	-	73.8	-	-	-	-	-	79
85	102.8	-	-	98.3	-	-	92.7	-	-	83.8	-	-	72.8	-	-	64.3	-	-	85
92	99.1	-	-	93.6	-	-	89.1	-	-	80.4	-	-	71.6	-	-	63.6	-	-	92
98	-	76.3	-	90.6	75.2	-	86.1	-	-	78.4	-	-	70.5	-	-	63.0	-	-	98
105	-	72.7	-	88.1	70.5	-	82.6	64.5	-	76.0	-	-	69.4	-	-	62.1	-	-	105
111	-	69.7	-	86.1	66.5	-	79.6	61.9	-	73.0	-	-	67.4	-	-	61.3	-	-	111
118	-	68.3	-	-	64.4	-	77.1	59.3	-	70.5	55.8	-	66.1	-	-	60.2	-	-	118
124	-	-	55.4	-	61.8	-	75.1	57.1	-	68.5	53.6	-	65.1	53.5	-	59.1	-	-	124
131	-	-	53.4	-	60.4	51.0	73.8	55.1	-	66.2	51.2	-	63.5	51.2	-	58.0	-	-	131
138	-	-	-	-	59.0	48.4	-	53.3	45.3	64.5	48.9	-	61.9	48.8	-	56.8	46.4	-	138
144	-	-	-	-	-	47.0	-	52.5	43.5	63.3	47.6	-	60.6	47.2	-	55.6	44.6	-	144
151	-	-	-	-	-	45.3	-	51.3	41.6	61.7	46.0	38.7	59.0	45.3	-	54.4	42.5	-	151
157	-	-	-	-	-	-	-	51.1	40.6	-	45.2	37.1	57.6	44.1	-	53.2	41.1	-	157
164	-	-	-	-	-	-	-	-	39.2	-	44.1	35.2	56.0	42.9	36.6	51.8	39.4	-	164
170	-	-	-	-	-	-	-	-	38.8	-	43.8	34.2	54.3	42.1	35.3	50.8	38.2	-	170
177	-	-	-	-	-	-	-	-	-	-	43.6	33.0	-	41.2	33.7	49.4	37.0	31.5	177
184	-	-	-	-	-	-	-	-	-	-	-	32.6	-	40.7	32.8	47.8	36.1	30.1	184
190	-	-	-	-	-	-	-	-	-	-	-	32.2	-	40.3	31.7	44.0	35.3	28.9	190
197	-	-	-	-	-	-	-	-	-	-	-	-	-	-	31.0	-	34.8	27.7	197
210	-	-	-	-	-	-	-	-	-	-	-	-	-	-	30.2	-	34.1	26.0	210
223	-	-	-	-	-	-	-	-	-	-	-	-	-	-	-	-	-	24.9	223
236	-	-	-	-	-	-	-	-	-	-	-	-	-	-	-	-	-	-	236

ft	1,000 lb																		ft
	196.9 ft			216.5 ft			236.2 ft			255.9 ft			275.6 ft			295.3 ft			
	83°	73°	65°	83°	73°	65°	83°	73°	65°	83°	73°	65°	83°	73°	65°	83°	73°	65°	
85	58.2	-	-	-	-	-	-	-	-	-	-	-	-	-	-	-	-	-	85
92	57.3	-	-	46.0	-	-	-	-	-	-	-	-	-	-	-	-	-	-	92
98	56.4	-	-	45.6	-	-	38.3	-	-	-	-	-	-	-	-	-	-	-	98
105	55.7	-	-	45.1	-	-	38.1	-	-	32.8	-	-	-	-	-	-	-	-	105
111	55.1	-	-	44.7	-	-	37.7	-	-	32.6	-	-	26.4	-	-	-	-	-	111
118	54.2	-	-	44.3	-	-	37.4	-	-	32.6	-	-	26.2	-	-	20.7	-	-	118
124	53.6	-	-	43.9	-	-	37.2	-	-	32.4	-	-	26.0	-	-	20.7	-	-	124
131	52.9	-	-	43.6	-	-	37.0	-	-	32.1	-	-	25.8	-	-	20.5	-	-	131
138	52.2	-	-	43.1	-	-	36.8	-	-	32.1	-	-	25.5	-	-	20.4	-	-	138
144	51.4	42.6	-	42.7	-	-	36.6	-	-	31.9	-	-	25.5	-	-	20.2	-	-	144
151	50.6	40.9	-	42.5	37.4	-	36.3	-	-	31.7	-	-	25.3	-	-	20.2	-	-	151
157	49.8	39.5	-	42.1	36.2	-	36.1	-	-	31.7	-	-	25.3	-	-	20.0	-	-	157
164	48.9	37.9	-	41.6	34.6	-	35.9	31.5	-	31.5	-	-	25.1	-	-	20.0	-	-	164
170	48.1	36.7	-	41.2	33.4	-	35.7	30.3	-	31.5	27.8	-	25.1	-	-	19.8	-	-	170
177	47.2	35.3	-	40.7	32.0	-	35.4	29.1	-	31.3	26.9	-	24.9	20.9	-	19.8	-	-	177
184	46.0	34.1	29.4	40.3	30.8	-	35.2	28.1	-	31.2	26.1	-	24.9	20.4	-	19.6	-	-	184
190	45.0	33.3	28.2	39.7	29.8	-	34.8	27.1	-	31.0	25.3	-	24.7	20.0	-	19.6	16.7	-	190
197	43.8	32.3	26.8	39.2	28.8	24.6	34.6	26.2	-	30.8	24.6	-	24.6	19.6	-	19.3	16.5	-	197
210	37.9	30.8	24.9	37.9	27.3	22.7	33.9	24.6	20.2	30.4	23.3	-	24.4	18.7	-	19.1	15.6	-	210
223	-	29.9	23.3	36.3	26.0	20.9	32.8	23.3	18.7	29.9	22.0	17.2	24.2	18.0	-	18.9	14.9	-	223
236	-	-	22.2	-	25.3	19.6	31.9	22.2	17.2	29.1	20.9	15.8	24.0	17.2	14.3	18.7	14.3	-	236
249	-	-	21.8	-	24.7	18.7	23.8	21.6	16.1	28.2	19.8	14.8	23.8	16.7	13.0	18.5	13.6	-	249
262	-	-	-	-	-	18.1	-	20.9	15.0	24.3	18.9	13.9	23.3	16.1	12.1	18.3	13.2	-	262
275	-	-	-	-	-	-	-	-	14.3	-	18.1	13.0	22.9	15.6	11.0	18.0	12.8	-	275
289	-	-	-	-	-	-	-	-	13.8	-	17.4	12.3	-	15.2	10.3	17.5	12.3	-	289
302	-	-	-	-	-	-	-	-	-	-	-	11.8	-	14.9	9.6	15.1	11.9	-	302
315	-	-	-	-	-	-	-	-	-	-	-	-	-	9.2	-	-	11.6	-	315

Remarks

* incl. 13.1 ft adapter

Counterweight 132,300 lb 176,400 lb 220,500 lb 264,600 lb 308,700 lb 352,800 lb 407,900 lb

Max. capacities with minimum counterweight

Further counterweight configurations on request



Lifting capacities luffing fly jib, main boom 83° to 65°



360°

DIN/ISO

152.5 ft* Main boom

Radius ft	Fly jib																		Radius ft	
	78.7 ft			98.4 ft			118.1 ft			137.8 ft			157.5 ft			177.2 ft				
	83°	73°	65°	83°	73°	65°	83°	73°	65°	83°	73°	65°	83°	73°	65°	83°	73°	65°		
	1,000 lb																			
65	102.0	-	-	94.1	-	-	-	-	-	-	-	-	-	-	-	-	-	-	65	
72	96.0	-	-	89.4	-	-	-	-	-	-	-	-	-	-	-	-	-	-	72	
79	90.2	-	-	84.7	-	-	-	-	-	69.3	-	-	63.2	-	-	-	-	-	79	
85	85.1	-	-	80.6	-	-	-	-	-	67.3	-	-	61.8	-	-	-	54.0	-	85	
92	81.4	-	-	77.0	-	-	-	-	-	65.2	-	-	60.1	-	-	-	53.1	-	92	
98	-	63.9	-	73.9	-	-	-	69.5	-	63.4	-	-	58.9	-	-	-	52.3	-	98	
105	-	60.6	-	71.6	59.0	-	-	67.2	-	61.5	-	-	57.3	-	-	-	51.1	-	105	
111	-	57.8	-	69.6	56.0	-	-	65.8	50.6	59.6	-	-	56.1	-	-	-	50.3	-	111	
118	-	56.0	-	-	53.1	-	-	64.1	48.3	58.2	-	-	54.6	-	-	-	49.1	-	118	
124	-	-	-	-	50.9	-	-	62.7	46.1	56.7	43.8	-	53.4	-	-	-	48.1	-	124	
131	-	-	-	-	49.2	-	-	61.7	44.3	55.5	41.7	-	52.2	41.2	-	-	47.2	-	131	
138	-	-	43.9	-	47.5	39.8	-	-	42.7	54.4	39.6	-	50.8	39.4	-	-	46.0	-	138	
144	-	-	41.8	-	-	38.2	-	-	41.7	34.9	38.2	-	50.0	38.0	-	-	45.2	36.0	144	
151	-	-	-	-	-	36.3	-	-	40.5	33.2	36.8	-	48.9	36.5	-	-	44.3	34.3	151	
157	-	-	-	-	-	35.5	-	-	40.3	32.0	36.0	30.0	48.3	35.3	-	-	43.4	33.1	157	
164	-	-	-	-	-	-	-	-	-	30.8	-	35.0	28.4	47.4	34.1	-	-	42.7	31.7	164
170	-	-	-	-	-	-	-	-	-	30.2	-	34.6	27.2	46.9	33.5	28.5	-	42.1	30.7	170
177	-	-	-	-	-	-	-	-	-	29.7	-	34.1	26.0	-	32.6	27.3	-	41.4	29.7	177
184	-	-	-	-	-	-	-	-	-	-	-	25.3	-	32.1	26.1	-	-	41.2	28.8	184
190	-	-	-	-	-	-	-	-	-	-	-	24.7	-	31.7	25.3	-	-	40.8	28.0	190
197	-	-	-	-	-	-	-	-	-	-	-	24.4	-	31.5	24.6	-	-	27.5	21.8	197
210	-	-	-	-	-	-	-	-	-	-	-	-	-	23.3	-	-	-	26.6	19.8	210
223	-	-	-	-	-	-	-	-	-	-	-	-	-	-	-	-	-	-	18.7	223
236	-	-	-	-	-	-	-	-	-	-	-	-	-	-	-	-	-	-	17.8	236
249	-	-	-	-	-	-	-	-	-	-	-	-	-	-	-	-	-	-	-	249

ft	Fly jib																		ft	
	196.9 ft			216.5 ft			236.2 ft			255.9 ft			275.6 ft			295.3 ft				
	1,000 lb																			
92	47.6	-	-	-	-	-	-	-	-	-	-	-	-	-	-	-	-	-	-	92
98	46.9	-	-	39.2	-	-	-	-	-	-	-	-	-	-	-	-	-	-	-	98
105	46.0	-	-	38.5	-	-	32.6	-	-	-	-	-	-	-	-	-	-	-	-	105
111	45.2	-	-	38.1	-	-	32.4	-	-	28.2	-	-	22.2	-	-	-	-	-	-	111
118	44.3	-	-	37.7	-	-	31.9	-	-	28.0	-	-	22.0	-	-	16.9	-	-	-	118
124	43.7	-	-	37.3	-	-	31.7	-	-	27.8	-	-	22.0	-	-	16.9	-	-	-	124
131	42.8	-	-	36.6	-	-	31.5	-	-	27.5	-	-	21.8	-	-	16.7	-	-	-	131
138	42.0	-	-	36.1	-	-	31.0	-	-	27.3	-	-	21.5	-	-	16.7	-	-	-	138
144	41.2	-	-	35.7	-	-	30.8	-	-	27.1	-	-	21.3	-	-	16.7	-	-	-	144
151	40.5	33.2	-	35.2	-	-	30.4	-	-	26.8	-	-	21.3	-	-	16.7	-	-	-	151
157	39.9	32.0	-	34.8	29.4	-	30.2	-	-	26.6	-	-	21.1	-	-	16.5	-	-	-	157
164	39.2	30.6	-	34.3	28.0	-	29.9	-	-	26.4	-	-	20.9	-	-	16.5	-	-	-	164
170	38.8	29.6	-	34.1	26.7	-	29.7	24.5	-	26.2	-	-	20.9	-	-	16.5	-	-	-	170
177	38.5	28.4	-	33.7	25.6	-	29.3	23.3	-	26.0	21.8	-	20.7	-	-	16.5	-	-	-	177
184	38.1	27.3	-	33.4	24.4	-	29.0	22.2	-	25.7	20.8	-	20.7	16.5	-	16.3	-	-	-	184
190	37.9	26.4	-	33.0	23.4	-	28.8	21.2	-	25.5	19.8	-	20.7	16.1	-	16.3	-	-	-	190
197	37.4	25.5	20.9	32.8	22.4	-	28.6	20.2	-	25.3	19.1	-	20.5	15.6	-	16.3	13.4	-	-	197
210	36.8	24.2	18.7	32.4	20.9	16.9	28.4	18.7	-	24.9	17.6	-	20.2	14.9	-	16.3	12.5	-	-	210
223	-	23.1	17.2	32.1	19.8	15.4	28.0	17.2	12.7	24.6	16.1	-	20.2	14.3	-	16.0	11.9	-	-	223
236	-	22.2	16.3	-	19.1	14.1	27.7	16.3	11.9	24.4	15.0	10.8	20.0	13.6	-	16.0	11.2	-	-	236
249	-	-	15.8	-	18.7	13.2	25.8	15.4	10.8	24.2	14.1	9.7	20.0	13.0	9.2	15.8	10.8	-	-	249
262	-	-	-	-	-	12.5	-	15.2	10.1	23.8	13.2	8.8	19.8	12.5	8.1	15.8	10.1	-	-	262
275	-	-	-	-	-	12.3	-	15.0	9.5	-	12.8	8.1	19.6	12.1	7.3	15.8	9.9	-	-	275
289	-	-	-	-	-	-	-	-	9.0	-	12.3	7.4	17.3	11.6	6.6	15.6	9.4	-	-	289
302	-	-	-	-	-	-	-	-	-	-	-	7.2	-	11.4	6.1	14.7	9.2	-	-	302
315	-	-	-	-	-	-	-	-	-	-	-	-	-	5.7	-	-	9.0	-	-	315
328	-	-	-	-	-	-	-	-	-	-	-	-	-	5.5	-	-	8.8	-	-	328

Remarks

* incl. 13.1 ft adapter

Counterweight 132,300 lb 176,400 lb 220,500 lb **264,600 lb** **308,700 lb** **352,800 lb** **407,900 lb**

Max. capacities with minimum counterweight

Further counterweight configurations on request

168.0 ft* Main boom

Radius ft	Fly jib																		Radius ft
	78.7 ft			98.4 ft			118.1 ft			137.8 ft			157.5 ft			177.2 ft			
	83°	73°	65°	83°	73°	65°	83°	73°	65°	83°	73°	65°	83°	73°	65°	83°	73°	65°	
	1,000 lb																		
65	85.2	-	-	77.5	-	-	-	-	-	-	-	-	-	-	-	-	-	-	65
72	79.5	-	-	72.8	-	-	67.3	-	-	-	-	-	-	-	-	-	-	-	72
79	74.8	-	-	69.3	-	-	65.3	-	-	55.4	-	-	-	-	-	-	-	-	79
85	71.8	-	-	66.3	-	-	63.1	-	-	53.6	-	-	49.6	-	-	-	-	-	85
92	68.2	-	-	64.1	-	-	60.8	-	-	51.7	-	-	48.4	-	-	44.0	-	-	92
98	66.2	-	-	61.9	-	-	58.5	-	-	50.3	-	-	47.4	-	-	43.2	-	-	98
105	-	49.3	-	59.9	-	-	56.4	-	-	48.9	-	-	46.2	-	-	42.3	-	-	105
111	-	46.9	-	58.3	45.4	-	54.6	-	-	47.7	-	-	45.4	-	-	41.5	-	-	111
118	-	45.2	-	57.3	43.0	-	52.9	38.8	-	46.5	-	-	44.3	-	-	40.5	-	-	118
124	-	43.6	-	-	41.0	-	51.5	37.0	-	45.5	-	-	43.5	-	-	39.7	-	-	124
131	-	-	-	-	39.2	-	50.5	35.3	-	44.3	32.4	-	42.5	-	-	38.8	-	-	131
138	-	-	-	-	37.6	-	49.5	33.7	-	43.4	30.8	-	41.4	30.8	-	37.8	-	-	138
144	-	-	-	-	37.0	30.7	-	32.8	-	42.8	29.6	-	40.8	29.6	-	37.0	-	-	144
151	-	-	-	-	-	29.0	-	31.7	-	42.1	28.4	-	39.8	28.2	-	36.3	26.0	-	151
157	-	-	-	-	-	28.2	-	31.3	25.2	41.4	27.6	-	39.2	27.4	-	35.5	24.9	-	157
164	-	-	-	-	-	27.1	-	30.8	24.0	-	26.6	-	38.5	26.2	-	34.8	23.8	-	164
170	-	-	-	-	-	-	-	23.2	20.4	-	26.0	20.4	37.9	25.4	-	34.4	23.0	-	170
177	-	-	-	-	-	-	-	22.5	19.4	-	25.5	19.4	-	24.7	20.3	33.7	22.0	-	177
184	-	-	-	-	-	-	-	22.0	18.7	-	25.3	18.7	-	24.2	19.3	33.2	21.3	-	184
190	-	-	-	-	-	-	-	-	18.1	-	23.8	18.1	-	23.8	18.7	33.0	20.7	16.7	190
197	-	-	-	-	-	-	-	-	17.8	-	23.5	18.0	-	23.5	18.0	-	20.2	15.8	197
210	-	-	-	-	-	-	-	-	-	-	-	-	-	16.7	-	19.6	13.8	-	210
223	-	-	-	-	-	-	-	-	-	-	-	-	-	16.0	-	19.1	12.7	-	223
236	-	-	-	-	-	-	-	-	-	-	-	-	-	-	-	-	11.9	-	236
249	-	-	-	-	-	-	-	-	-	-	-	-	-	-	-	-	-	-	249

ft	1,000 lb																		ft
	196.9 ft			216.5 ft			236.2 ft			255.9 ft			275.6 ft			295.3 ft			
98	38.8	-	-	31.5	-	-	-	-	-	-	-	-	-	-	-	-	-	-	98
105	37.9	-	-	30.8	-	-	25.7	-	-	-	-	-	-	-	-	-	-	-	105
111	37.3	-	-	30.4	-	-	25.3	-	-	21.1	-	-	-	-	-	-	-	-	111
118	36.6	-	-	29.9	-	-	25.1	-	-	20.9	-	-	18.0	-	-	-	-	-	118
124	36.0	-	-	29.5	-	-	24.7	-	-	20.7	-	-	17.8	-	-	13.8	-	-	124
131	35.2	-	-	28.9	-	-	24.2	-	-	20.5	-	-	17.6	-	-	13.6	-	-	131
138	34.3	-	-	28.4	-	-	24.0	-	-	20.2	-	-	17.6	-	-	13.6	-	-	138
144	33.7	-	-	28.0	-	-	23.6	-	-	20.0	-	-	17.4	-	-	13.6	-	-	144
151	33.0	-	-	27.7	-	-	23.3	-	-	19.8	-	-	17.1	-	-	13.6	-	-	151
157	32.4	24.5	-	27.3	-	-	23.1	-	-	19.6	-	-	16.9	-	-	13.4	-	-	157
164	31.9	23.3	-	26.8	20.5	-	22.7	-	-	19.4	-	-	16.9	-	-	13.4	-	-	164
170	31.3	22.3	-	26.4	19.7	-	22.5	-	-	19.2	-	-	16.7	-	-	13.4	-	-	170
177	30.8	21.4	-	26.2	18.5	-	22.2	14.5	-	18.9	-	-	16.5	-	-	13.4	-	-	177
184	30.6	20.4	-	25.7	17.6	-	22.0	13.8	-	18.7	-	-	16.5	-	-	13.4	-	-	184
190	30.2	19.6	-	25.5	16.7	-	21.8	13.4	-	18.5	-	-	16.3	-	-	13.2	-	-	190
197	29.7	18.9	-	25.3	16.0	-	21.5	12.7	-	18.2	-	-	16.3	-	-	13.2	-	-	197
210	29.1	17.6	13.2	24.9	14.7	-	21.1	11.9	-	18.0	-	-	16.0	-	-	13.2	-	-	210
223	-	16.7	12.1	24.4	13.6	-	20.7	11.0	-	17.6	-	-	15.8	-	-	13.2	-	-	223
236	-	16.3	11.0	-	13.0	-	20.5	10.3	-	17.4	-	-	15.6	-	-	13.2	-	-	236
249	-	-	10.5	-	12.5	-	20.2	9.9	-	17.4	-	-	15.6	-	-	13.0	-	-	249
262	-	-	10.1	-	12.5	-	-	9.4	-	17.2	-	-	15.4	-	-	13.0	-	-	262
275	-	-	-	-	-	-	-	9.2	-	-	-	-	15.4	-	-	13.0	-	-	275
289	-	-	-	-	-	-	-	-	-	-	-	-	14.7	-	-	12.9	-	-	289
302	-	-	-	-	-	-	-	-	-	-	-	-	-	-	-	12.3	-	-	302
315	-	-	-	-	-	-	-	-	-	-	-	-	-	-	-	-	-	-	315

Remarks

* incl. 13.1 ft adapter

Counterweight 132,300 lb 176,400 lb 220,500 lb 264,600 lb 407,900 lb 352,800 lb 407,900 lb

Max. capacities with minimum counterweight

Further counterweight configurations on request



Lifting capacities luffing fly jib, main boom 83° to 65°

360° DIN/ISO

183.1 ft* Main boom

Radius ft	78.7 ft			98.4 ft			118.1 ft			137.8 ft			157.5 ft			177.2 ft			Radius ft
	83°	73°	65°	83°	73°	65°	83°	73°	65°	83°	73°	65°	83°	73°	65°	83°	73°	65°	
	1,000 lb																		
72	64.0	-	-	58.5	-	-	-	-	-	-	-	-	-	-	-	-	-	-	72
79	60.3	-	-	55.6	-	-	51.2	-	-	-	-	-	-	-	-	-	-	-	79
85	57.6	-	-	53.4	-	-	49.6	-	-	42.6	-	-	39.9	-	-	-	-	-	85
92	55.0	-	-	51.1	-	-	47.8	-	-	41.1	-	-	38.7	-	-	34.5	-	-	92
98	53.2	-	-	49.2	-	-	46.3	-	-	39.9	-	-	37.9	-	-	33.7	-	-	98
105	-	-	-	47.6	-	-	44.7	-	-	38.7	-	-	36.8	-	-	32.8	-	-	105
111	-	37.8	-	46.4	-	-	43.3	-	-	37.7	-	-	35.8	-	-	32.2	-	-	111
118	-	36.1	-	45.6	34.2	-	41.9	-	-	36.8	-	-	34.8	-	-	31.3	-	-	118
124	-	34.5	-	-	32.3	-	40.7	29.4	-	35.8	-	-	33.8	-	-	30.7	-	-	124
131	-	33.7	-	-	30.9	-	39.5	27.8	-	35.0	-	-	32.8	-	-	29.7	-	-	131
138	-	-	-	-	29.5	-	38.5	26.4	-	34.1	23.3	-	31.9	-	-	29.0	-	-	138
144	-	-	-	-	28.9	-	-	25.4	-	33.3	22.3	-	31.1	22.5	-	28.4	-	-	144
151	-	-	-	-	27.9	22.9	-	24.4	-	32.6	21.1	-	30.4	21.3	-	27.7	18.7	-	151
157	-	-	-	-	-	22.1	-	23.8	-	31.8	20.5	-	29.8	20.5	-	27.1	17.9	-	157
164	-	-	-	-	-	20.9	-	23.3	18.3	-	19.6	-	29.1	19.6	-	26.4	17.2	-	164
170	-	-	-	-	-	20.5	-	23.1	17.6	-	19.2	-	28.7	18.8	-	26.0	16.3	-	170
177	-	-	-	-	-	-	-	-	16.7	-	18.7	13.4	-	18.0	-	25.5	15.6	-	177
184	-	-	-	-	-	-	-	-	16.2	-	18.2	12.9	-	17.6	-	25.1	15.1	-	184
190	-	-	-	-	-	-	-	-	15.8	-	18.0	12.5	-	17.2	13.0	24.7	14.7	-	190
197	-	-	-	-	-	-	-	-	-	-	-	12.3	-	16.9	12.3	-	14.3	11.0	197
210	-	-	-	-	-	-	-	-	-	-	-	11.6	-	-	11.4	-	13.6	9.4	210
223	-	-	-	-	-	-	-	-	-	-	-	-	-	-	10.5	-	13.2	7.9	223
236	-	-	-	-	-	-	-	-	-	-	-	-	-	-	-	-	-	7.2	236
249	-	-	-	-	-	-	-	-	-	-	-	-	-	-	-	-	-	6.8	249
262	-	-	-	-	-	-	-	-	-	-	-	-	-	-	-	-	-	-	262

ft	196.9 ft			216.5 ft			236.2 ft			255.9 ft			275.6 ft			295.3 ft			ft
	83°	73°	65°	83°	73°	65°	83°	73°	65°	83°	73°	65°	83°	73°	65°	83°	73°	65°	
	1,000 lb																		
98	29.1	-	-	-	-	-	-	-	-	-	-	-	-	-	-	-	-	-	98
105	28.4	-	-	23.3	-	-	-	-	-	-	-	-	-	-	-	-	-	-	105
111	27.8	-	-	22.9	-	-	18.5	-	-	-	-	-	-	-	-	-	-	-	111
118	27.3	-	-	22.4	-	-	18.0	-	-	14.3	-	-	-	-	-	-	-	-	118
124	26.7	-	-	22.0	-	-	17.6	-	-	14.1	-	-	10.8	-	-	6.8	-	-	124
131	26.0	-	-	21.4	-	-	17.2	-	-	13.8	-	-	10.5	-	-	6.8	-	-	131
138	25.5	-	-	20.9	-	-	16.9	-	-	13.6	-	-	10.5	-	-	6.8	-	-	138
144	25.1	-	-	20.5	-	-	16.5	-	-	13.4	-	-	10.3	-	-	6.6	-	-	144
151	24.4	-	-	20.2	-	-	16.3	-	-	13.2	-	-	10.1	-	-	6.6	-	-	151
157	24.0	-	-	19.8	-	-	15.9	-	-	12.8	-	-	10.1	-	-	6.6	-	-	157
164	23.5	17.2	-	19.4	-	-	15.6	-	-	12.5	-	-	9.9	-	-	6.6	-	-	164
170	23.1	16.3	-	19.0	13.5	-	15.4	-	-	12.3	-	-	9.7	-	-	6.6	-	-	170
177	22.7	15.4	-	18.7	12.5	-	15.0	-	-	12.1	-	-	9.7	-	-	6.3	-	-	177
184	22.2	14.5	-	18.2	11.8	-	14.7	6.3	-	11.9	-	-	9.4	-	-	6.3	-	-	184
190	22.0	13.9	-	18.0	11.2	-	14.5	6.3	-	11.9	-	-	9.4	-	-	6.3	-	-	190
197	21.5	13.2	-	17.6	10.5	-	14.3	6.1	-	11.6	-	-	9.2	-	-	6.3	-	-	197
210	20.9	12.3	8.1	17.1	9.4	-	13.8	5.9	-	11.2	-	-	9.0	-	-	6.3	-	-	210
223	-	11.6	7.5	16.9	8.6	-	13.6	5.7	-	11.0	-	-	8.8	-	-	6.1	-	-	223
236	-	11.2	6.8	-	8.1	-	13.2	5.2	-	10.8	-	-	8.8	-	-	6.1	-	-	236
249	-	-	6.1	-	7.7	-	13.0	5.0	-	10.5	-	-	8.6	-	-	6.1	-	-	249
262	-	-	5.5	-	7.5	-	-	4.8	-	10.3	-	-	8.3	-	-	5.9	-	-	262
275	-	-	-	-	-	-	-	4.6	-	-	-	-	8.3	-	-	5.9	-	-	275
289	-	-	-	-	-	-	-	-	-	-	-	-	8.1	-	-	5.7	-	-	289
302	-	-	-	-	-	-	-	-	-	-	-	-	-	-	-	5.7	-	-	302
315	-	-	-	-	-	-	-	-	-	-	-	-	-	-	-	-	-	-	315

Remarks

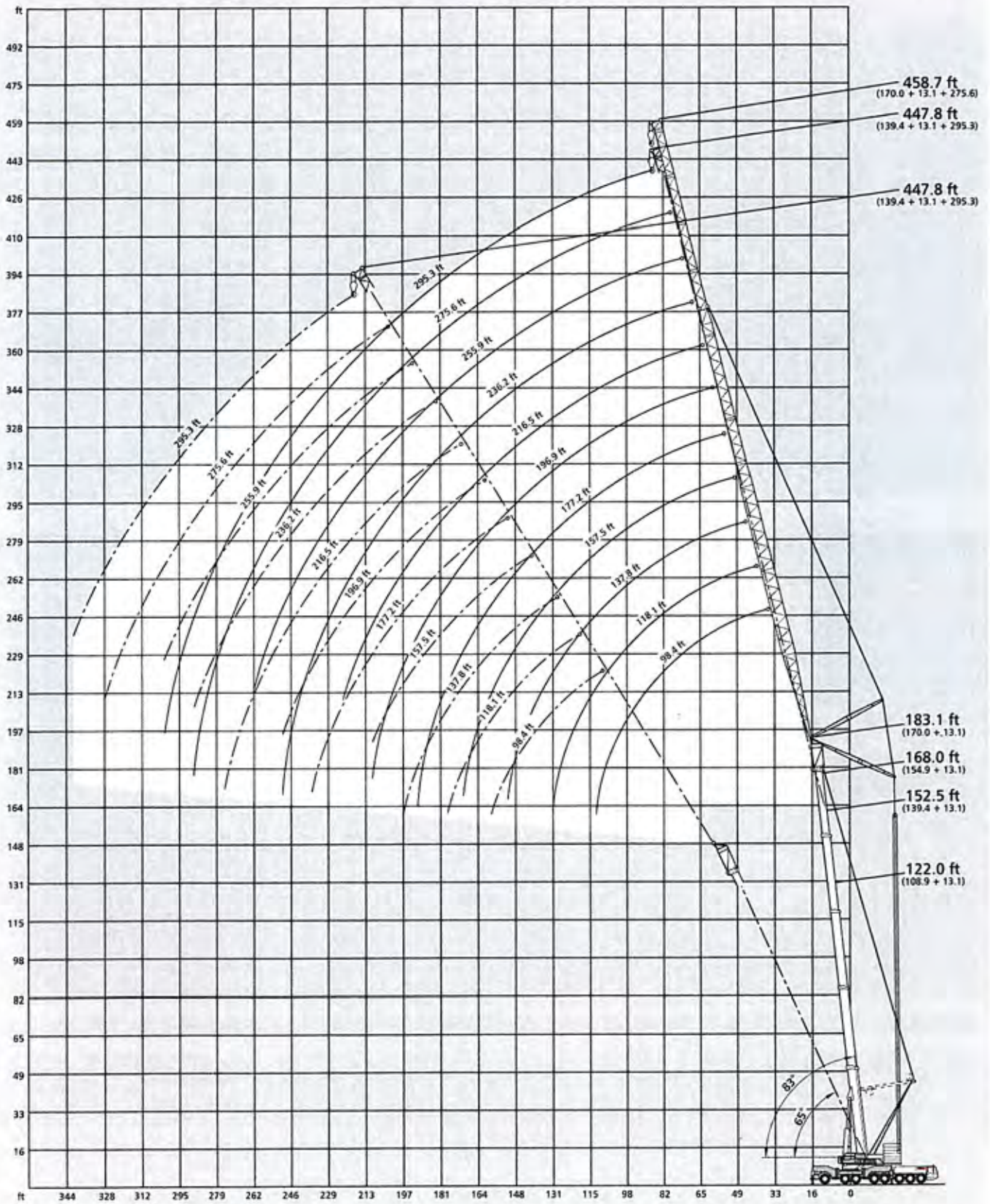
* incl. 13.1 ft adapter

Counterweight 132,300 lb 176,400 lb 220,500 lb **264,600 lb** **308,700 lb** **352,800 lb** **407,900 lb**

Max. capacities with minimum counterweight

Further counterweight configurations on request

Working ranges luffing fly jib with SL, main boom 83° to 65°



Lifting capacities luffing fly jib with SSL 0°, main boom 83° to 65°



360°

DIN/ISO

122.0 ft* Main boom

Radius ft	98.4 ft			118.1 ft			Fly jib 137.8 ft			157.5 ft			177.2 ft			Radius ft	
	83°	73°	65°	83°	73°	65°	83°	73°	65°	83°	73°	65°	83°	73°	65°		
52	144.4	-	-	-	-	-	-	-	-	-	-	-	-	-	-	52	
59	144.4	-	-	119.0	-	-	-	-	-	-	-	-	-	-	-	59	
65	144.4	-	-	119.0	-	-	-	-	-	80.4	-	-	-	-	-	65	
72	137.9	-	-	119.0	-	-	-	99.2	-	80.4	-	-	-	68.3	-	72	
79	132.0	-	-	117.7	-	-	-	99.1	-	80.4	-	-	-	68.3	-	79	
85	125.9	-	-	113.7	-	-	-	98.1	-	80.4	-	-	-	68.3	-	85	
92	116.6	108.9	-	110.1	-	-	-	96.9	-	80.4	-	-	-	68.3	-	92	
98	108.6	100.8	-	107.2	98.5	-	-	95.9	-	80.4	-	-	-	68.3	-	98	
105	99.1	92.5	-	100.3	91.4	-	-	93.6	-	80.4	-	-	-	68.3	-	105	
111	91.1	87.5	-	94.2	85.4	-	-	92.7	85.2	80.4	-	-	-	68.3	-	111	
118	-	81.6	73.9	86.1	79.4	-	-	88.2	78.3	80.4	78.3	-	-	68.3	-	118	
124	-	76.6	69.9	-	74.4	-	-	83.2	74.3	80.4	74.3	-	-	68.3	68.4	124	
131	-	71.8	65.4	-	69.6	63.2	-	77.3	69.6	77.2	69.6	-	-	68.3	67.2	131	
138	-	-	61.4	-	65.8	59.2	-	71.4	65.5	73.7	65.1	-	-	68.2	63.3	138	
144	-	-	58.3	-	62.5	56.1	-	66.3	62.1	69.6	61.9	-	-	66.2	60.1	144	
151	-	-	-	-	59.0	52.8	-	60.5	58.6	65.6	58.3	51.9	-	64.9	56.6	151	
157	-	-	-	-	-	50.4	-	-	55.7	61.8	55.5	49.5	-	61.9	53.8	157	
164	-	-	-	-	-	47.6	-	-	52.9	57.5	52.4	46.7	-	58.6	50.7	164	
170	-	-	-	-	-	-	-	-	50.7	-	50.0	44.5	-	56.0	48.5	170	
177	-	-	-	-	-	-	-	-	-	-	47.6	42.1	-	53.2	45.9	177	
184	-	-	-	-	-	-	-	-	-	-	45.3	40.0	-	49.6	43.5	184	
190	-	-	-	-	-	-	-	-	-	-	-	38.4	-	-	41.7	36.4	190
197	-	-	-	-	-	-	-	-	-	-	-	36.5	-	-	39.6	34.7	197
210	-	-	-	-	-	-	-	-	-	-	-	-	-	-	-	31.7	210
223	-	-	-	-	-	-	-	-	-	-	-	-	-	-	-	29.1	223

ft	196.9 ft			216.5 ft			236.2 ft			255.9 ft			275.6 ft			295.3 ft			ft	
	83°	73°	65°	83°	73°	65°	83°	73°	65°	83°	73°	65°	83°	73°	65°	83°	73°	65°		
79	59.5	-	-	-	-	-	-	-	-	-	-	-	-	-	-	-	-	-	79	
85	59.5	-	-	47.6	-	-	-	-	-	-	-	-	-	-	-	-	-	-	85	
92	59.5	-	-	47.6	-	-	40.7	-	-	-	-	-	-	-	-	-	-	-	92	
98	59.5	-	-	47.6	-	-	40.7	-	-	35.2	-	-	-	-	-	-	-	-	98	
105	59.5	-	-	47.6	-	-	40.7	-	-	35.2	-	-	28.6	-	-	23.5	-	-	105	
111	59.5	-	-	47.6	-	-	40.7	-	-	35.2	-	-	28.6	-	-	23.5	-	-	111	
118	59.5	-	-	47.6	-	-	40.7	-	-	35.2	-	-	28.6	-	-	23.5	-	-	118	
124	59.5	-	-	47.6	-	-	40.7	-	-	35.2	-	-	28.6	-	-	23.5	-	-	124	
131	59.5	59.5	-	47.6	-	-	40.7	-	-	35.2	-	-	28.6	-	-	23.5	-	-	131	
138	59.4	59.5	-	47.6	-	-	40.7	-	-	35.2	-	-	28.6	-	-	23.5	-	-	138	
144	59.5	59.1	-	47.6	47.6	-	40.7	-	-	35.2	-	-	28.6	-	-	23.5	-	-	144	
151	59.4	55.7	-	47.6	47.6	-	40.7	40.7	-	35.2	-	-	28.6	-	-	23.5	-	-	151	
157	58.9	52.9	-	47.6	47.6	-	40.7	40.7	-	35.2	-	-	28.6	-	-	23.5	-	-	157	
164	57.9	50.0	-	47.6	47.6	-	40.7	40.7	-	35.2	35.2	-	28.6	-	-	23.5	-	-	164	
170	55.3	47.6	-	47.6	45.8	-	40.7	40.7	-	35.2	35.2	-	28.6	28.6	-	23.5	-	-	170	
177	52.5	45.0	39.5	47.6	43.2	-	40.7	40.7	-	35.2	35.2	-	28.6	28.6	-	23.5	21.1	-	177	
184	49.9	42.6	37.4	47.5	40.9	35.4	40.5	38.9	-	35.2	35.2	-	28.6	28.6	-	23.5	20.9	-	184	
190	47.7	40.8	35.7	45.9	39.1	33.8	40.3	37.1	-	35.2	35.2	-	28.6	28.6	-	23.5	20.7	-	190	
197	45.5	38.9	33.9	43.8	37.0	31.9	40.1	35.0	29.9	-	35.0	34.7	-	28.6	28.6	-	23.5	20.4	-	197
210	-	35.4	30.8	39.8	33.7	28.8	38.1	31.7	26.8	34.8	31.3	26.4	28.4	28.6	-	23.5	19.8	-	210	
223	-	32.6	28.0	34.4	30.6	26.0	34.8	28.6	24.0	34.3	28.4	23.6	27.5	28.0	23.3	23.3	19.4	-	223	
236	-	-	25.8	-	28.0	23.8	31.8	26.0	21.8	31.5	25.8	21.4	26.6	25.3	20.9	22.7	18.9	19.4	236	
249	-	-	-	-	21.6	-	23.8	19.6	16.2	28.9	23.4	19.2	25.6	22.9	18.7	22.0	18.7	17.8	249	
262	-	-	-	-	19.9	-	21.8	17.7	14.1	22.7	21.2	17.2	24.7	21.0	16.8	21.1	18.5	15.9	262	
275	-	-	-	-	-	-	-	16.1	-	-	19.4	15.5	22.5	19.0	15.2	20.5	18.0	14.1	275	
289	-	-	-	-	-	-	-	-	-	-	13.8	-	-	17.1	13.6	19.7	16.2	12.5	289	
302	-	-	-	-	-	-	-	-	-	-	-	-	-	12.1	-	14.7	11.2	-	302	
315	-	-	-	-	-	-	-	-	-	-	-	-	-	-	11.0	-	13.4	9.9	315	
328	-	-	-	-	-	-	-	-	-	-	-	-	-	-	-	-	8.8	-	328	

Remarks

* incl. 13.1 ft adapter

Counterweight **264,600 lb** **308,700 lb** **352,800 lb** **407,900 lb**

Max. capacities with minimum counterweight Further counterweight configurations on request



152.5 ft* Main boom

Radius ft	98.4 ft			118.1 ft			Fly jib 137.8 ft			157.5 ft			177.2 ft			Radius ft
	83°	73°	65°	83°	73°	65°	83°	73°	65°	83°	73°	65°	83°	73°	65°	
59	95.9	-	-	-	-	-	-	-	-	-	-	-	-	-	-	59
65	95.0	-	-	79.3	-	-	67.4	-	-	-	-	-	-	-	-	65
72	94.7	-	-	78.2	-	-	66.1	-	-	58.4	-	-	-	-	-	72
79	94.7	-	-	77.1	-	-	66.1	-	-	58.4	-	-	50.9	-	-	79
85	94.7	-	-	77.1	-	-	66.1	-	-	58.4	-	-	50.9	-	-	85
92	94.7	-	-	77.1	-	-	66.1	-	-	58.4	-	-	50.9	-	-	92
98	90.6	96.3	-	77.1	-	-	66.1	-	-	58.4	-	-	50.9	-	-	98
105	84.8	89.2	-	74.9	-	-	66.1	-	-	58.4	-	-	50.9	-	-	105
111	79.8	83.2	-	73.8	77.3	-	66.1	-	-	58.4	-	-	50.9	-	-	111
118	-	77.2	-	69.5	73.9	-	64.8	66.1	-	58.4	-	-	50.9	-	-	118
124	-	73.2	-	66.2	70.8	-	63.8	66.1	-	58.4	58.6	-	50.9	-	-	124
131	-	68.5	60.9	62.0	66.2	-	60.9	65.5	-	57.5	58.4	-	50.9	-	-	131
138	-	64.9	57.2	-	62.9	-	58.1	62.5	-	56.5	58.4	-	50.8	50.9	-	138
144	-	-	54.4	-	59.7	52.1	55.4	59.2	-	54.5	58.4	-	50.3	50.9	-	144
151	-	-	51.1	-	56.1	49.1	52.6	55.7	-	52.4	55.5	-	49.5	50.9	-	151
157	-	-	48.9	-	53.5	46.7	-	53.1	46.0	50.6	52.9	-	47.9	50.9	-	157
164	-	-	-	-	-	44.1	-	50.2	43.4	48.5	50.0	43.2	46.0	48.0	-	164
170	-	-	-	-	-	42.0	-	48.0	41.4	46.7	47.6	41.2	44.4	45.8	-	170
177	-	-	-	-	-	39.9	-	45.6	39.2	-	45.2	38.8	42.8	43.4	36.8	177
184	-	-	-	-	-	-	-	-	37.1	-	42.9	36.9	40.9	41.1	34.9	184
190	-	-	-	-	-	-	-	-	35.7	-	41.3	35.3	39.3	39.3	33.3	190
197	-	-	-	-	-	-	-	-	33.9	-	39.1	33.4	-	37.4	31.4	197
210	-	-	-	-	-	-	-	-	-	-	30.6	-	-	34.1	28.6	210
223	-	-	-	-	-	-	-	-	-	-	-	-	-	-	26.2	223
236	-	-	-	-	-	-	-	-	-	-	-	-	-	-	24.0	236

ft	196.9 ft			216.5 ft			236.2 ft			255.9 ft			275.6 ft			295.3 ft			ft
	83°	73°	65°	83°	73°	65°	83°	73°	65°	83°	73°	65°	83°	73°	65°	83°	73°	65°	
85	44.9	-	-	-	-	-	-	-	-	-	-	-	-	-	-	-	-	-	85
92	44.5	-	-	34.8	-	-	-	-	-	-	-	-	-	-	-	-	-	-	92
98	43.9	-	-	34.8	-	-	-	-	-	-	-	-	-	-	-	-	-	-	98
105	43.4	-	-	34.8	-	-	27.5	-	-	23.5	-	-	18.7	-	-	-	-	-	105
111	43.0	-	-	34.8	-	-	27.5	-	-	23.5	-	-	18.7	-	-	14.7	-	-	111
118	42.9	-	-	34.8	-	-	27.5	-	-	23.5	-	-	18.7	-	-	14.7	-	-	118
124	42.7	-	-	34.8	-	-	27.5	-	-	23.5	-	-	18.7	-	-	14.7	-	-	124
131	42.7	-	-	34.8	-	-	27.5	-	-	23.5	-	-	18.7	-	-	14.7	-	-	131
138	42.7	-	-	34.8	-	-	27.5	-	-	23.5	-	-	18.7	-	-	14.7	-	-	138
144	42.7	43.8	-	34.8	-	-	27.5	-	-	23.5	-	-	18.7	-	-	14.7	-	-	144
151	42.7	43.8	-	34.8	-	-	27.5	-	-	23.5	-	-	18.7	-	-	14.7	-	-	151
157	42.3	43.8	-	34.8	34.8	-	27.5	-	-	23.5	-	-	18.7	-	-	14.7	-	-	157
164	42.1	43.8	-	34.8	34.8	-	27.5	27.5	-	23.5	-	-	18.7	-	-	14.7	-	-	164
170	41.1	43.8	-	34.6	34.8	-	27.5	27.5	-	23.5	23.7	-	18.7	-	-	14.7	-	-	170
177	40.1	42.5	-	34.3	34.8	-	27.5	27.5	-	23.5	23.5	-	18.7	-	-	14.7	-	-	177
184	39.2	40.2	-	33.6	34.7	-	27.5	27.5	-	23.5	23.5	-	18.7	18.7	-	14.7	-	-	184
190	38.4	38.6	32.4	32.8	34.8	-	27.3	27.5	-	23.5	23.5	-	18.7	18.7	-	14.7	13.6	-	190
197	37.2	36.5	30.6	32.1	34.5	-	27.0	27.5	-	23.5	23.5	-	18.7	18.7	-	14.7	13.4	-	197
210	35.4	33.2	27.7	30.8	31.5	25.7	26.6	27.3	23.8	23.3	23.5	-	18.7	18.7	-	14.7	13.0	-	210
223	-	30.6	25.1	29.5	28.6	23.1	26.0	26.6	21.1	22.9	23.5	20.7	18.7	18.7	-	14.7	12.5	-	223
236	-	28.0	22.9	-	26.0	20.9	25.5	24.0	18.9	22.7	23.1	18.5	18.7	18.7	16.5	14.7	12.1	-	236
249	-	-	20.9	-	23.8	19.0	24.9	21.8	17.0	22.2	21.4	16.5	18.7	18.7	16.1	14.7	11.6	9.9	249
262	-	-	-	-	17.2	-	19.9	15.2	12.1	22.0	19.4	14.8	18.7	18.5	14.3	14.7	11.4	9.9	262
275	-	-	-	-	15.7	-	18.1	13.7	-	17.7	13.0	10.0	18.7	17.2	12.6	14.7	11.2	9.9	275
289	-	-	-	-	-	-	-	12.1	-	16.0	11.6	8.8	17.3	15.6	11.2	14.7	10.7	9.8	289
302	-	-	-	-	-	-	-	-	-	-	-	10.3	-	14.0	9.9	14.7	10.5	8.8	302
315	-	-	-	-	-	-	-	-	-	-	-	-	-	8.8	-	-	10.3	7.7	315
328	-	-	-	-	-	-	-	-	-	-	-	-	-	7.7	-	-	10.1	6.6	328
341	-	-	-	-	-	-	-	-	-	-	-	-	-	-	-	-	-	5.7	341

Remarks

* incl. 13.1 ft adapter

Counterweight 264,600 lb 308,700 lb 352,800 lb 407,900 lb

Max. capacities with minimum counterweight Further counterweight configurations on request



Lifting capacities luffing fly jib with SSL 0°, main boom 83° to 65°



360°

DIN/ISO

168.0 ft* Main boom

Radius ft	98.4 ft			118.1 ft			Fly jib 137.8 ft			157.5 ft			177.2 ft			Radius ft
	83°	73°	65°	83°	73°	65°	83°	73°	65°	83°	73°	65°	83°	73°	65°	
59	70.5	-	-	-	-	-	-	-	-	-	-	-	-	-	-	59
65	68.5	-	-	58.1	-	-	-	-	-	-	-	-	-	-	-	65
72	66.1	-	-	56.4	-	-	47.6	-	-	-	-	-	-	-	-	72
79	66.1	-	-	54.6	-	-	46.2	-	-	44.9	-	-	40.5	-	-	79
85	66.1	-	-	54.0	-	-	45.0	-	-	43.9	-	-	39.7	-	-	85
92	66.1	-	-	54.0	-	-	44.0	-	-	42.9	-	-	38.5	-	-	92
98	65.5	-	-	54.0	-	-	44.0	-	-	41.9	-	-	37.7	-	-	98
105	64.3	70.5	-	53.7	-	-	44.0	-	-	41.4	-	-	37.0	-	-	105
111	63.3	68.5	-	53.3	-	-	44.0	-	-	41.0	-	-	36.4	-	-	111
118	62.1	66.1	-	52.4	56.8	-	43.8	-	-	40.7	-	-	36.3	-	-	118
124	-	64.1	-	51.6	56.4	-	43.8	46.2	-	40.3	-	-	36.3	-	-	124
131	-	61.1	-	50.5	56.0	-	43.2	46.2	-	39.9	39.6	-	36.3	-	-	131
138	-	58.3	55.4	49.5	55.4	-	42.7	46.2	-	39.4	39.6	-	36.3	-	-	138
144	-	55.9	52.4	-	53.0	-	42.1	46.2	-	39.0	39.6	-	36.1	35.2	-	144
151	-	-	49.3	-	50.2	47.3	41.6	46.2	-	38.5	39.6	-	36.1	35.2	-	151
157	-	-	47.1	-	47.8	44.9	41.0	44.4	-	38.1	39.6	-	35.5	35.2	-	157
164	-	-	44.5	-	44.9	42.3	-	42.3	41.9	37.9	39.6	-	34.8	35.2	-	164
170	-	-	-	-	-	40.3	-	40.5	39.8	37.5	38.6	-	34.4	35.2	-	170
177	-	-	-	-	-	38.1	-	38.6	37.7	-	37.7	37.3	33.7	35.2	-	177
184	-	-	-	-	-	36.3	-	36.5	35.6	-	36.5	35.4	33.0	34.3	33.4	184
190	-	-	-	-	-	-	-	-	34.2	-	35.5	33.8	32.4	33.5	31.8	190
197	-	-	-	-	-	-	-	-	32.5	-	34.5	32.1	-	32.6	30.1	197
210	-	-	-	-	-	-	-	-	-	-	-	29.3	-	30.6	27.3	210
223	-	-	-	-	-	-	-	-	-	-	-	26.6	-	28.8	24.7	223
236	-	-	-	-	-	-	-	-	-	-	-	-	-	22.7	22.7	236

ft	196.9 ft		216.5 ft		236.2 ft		255.9 ft		275.6 ft		295.3 ft		ft
	83°	73°	83°	73°	83°	73°	83°	73°	83°	73°	83°	73°	
85	34.6	-	-	-	-	-	-	-	-	-	-	-	85
92	33.9	-	26.8	-	-	-	-	-	-	-	-	-	92
98	33.1	-	26.4	-	21.1	-	-	-	-	-	-	-	98
105	32.1	-	26.0	-	20.7	-	15.8	-	-	-	-	-	105
111	31.3	-	25.4	-	20.5	-	15.8	-	12.3	-	-	-	111
118	31.0	-	24.9	-	20.2	-	15.8	-	12.3	-	-	-	118
124	30.6	-	24.5	-	20.0	-	15.8	-	12.3	-	-	-	124
131	30.6	-	24.2	-	19.8	-	15.8	-	12.3	-	-	-	131
138	30.6	-	24.2	-	19.6	-	15.8	-	12.3	-	-	-	138
144	30.6	-	24.2	-	19.6	-	15.8	-	12.3	-	-	-	144
151	30.6	30.2	24.2	-	19.6	-	15.8	-	12.3	-	-	-	151
157	30.6	30.2	24.2	24.6	19.6	-	15.8	-	12.3	-	-	-	157
164	30.4	30.2	24.2	24.6	19.6	-	15.8	-	12.3	-	-	-	164
170	30.2	30.2	24.2	24.6	19.6	19.8	15.8	-	12.3	-	-	-	170
177	29.9	30.2	24.2	24.6	16.6	19.8	15.8	15.2	12.3	-	-	-	177
184	29.7	30.1	24.2	24.6	16.6	19.8	15.8	15.2	12.3	11.9	-	-	184
190	29.5	30.2	24.2	24.6	16.6	19.8	15.8	15.2	12.3	11.9	-	-	190
197	29.0	29.5	29.0	24.0	24.6	-	16.6	19.8	15.8	15.1	-	-	197
210	28.6	28.2	26.4	24.0	24.2	24.4	19.6	19.8	15.8	15.2	-	-	210
223	-	26.9	23.8	23.8	23.3	21.8	19.6	19.6	19.8	15.8	15.2	-	223
236	-	24.8	21.6	-	22.9	19.6	18.5	19.1	17.6	15.8	15.2	14.9	236
249	-	-	19.8	-	21.6	17.9	16.5	18.5	15.7	15.8	14.9	14.7	249
262	-	-	18.1	-	20.5	16.1	19.6	18.0	13.9	15.8	14.7	13.4	262
275	-	-	-	-	14.6	-	19.6	17.2	12.4	15.8	14.5	11.9	275
289	-	-	-	-	-	-	-	-	10.9	-	14.3	10.5	289
302	-	-	-	-	-	-	-	-	-	9.2	-	11.9	302
315	-	-	-	-	-	-	-	-	-	8.1	-	11.9	315
328	-	-	-	-	-	-	-	-	-	-	-	7.7	328
341	-	-	-	-	-	-	-	-	-	-	-	6.6	341

Remarks

* incl. 13.1 ft adapter

Counterweight **264,600 lb** **308,700 lb** **352,800 lb** **407,900 lb**

Max. capacities with minimum counterweight Further counterweight configurations on request



183.1 ft* Main boom

Radius ft	98.4 ft			118.1 ft			Fly jib 137.8 ft			157.5 ft			177.2 ft			Radius ft
	83°	73°	65°	83°	73°	65°	83°	73°	65°	83°	73°	65°	83°	73°	65°	
59	56.4	-	-	-	-	-	-	-	-	-	-	-	-	-	-	59
65	54.6	-	-	46.0	-	-	-	-	-	-	-	-	-	-	-	65
72	52.7	-	-	44.1	-	-	37.9	-	-	-	-	-	-	-	-	72
79	51.5	-	-	42.4	-	-	36.5	-	-	-	-	-	-	-	-	79
85	51.3	-	-	41.2	-	-	35.5	-	-	-	-	-	34.1	-	-	85
92	51.1	-	-	40.9	-	-	34.1	-	-	-	-	-	33.2	-	-	92
98	50.9	-	-	40.7	-	-	33.7	-	-	-	-	-	32.8	-	-	98
105	50.4	-	-	40.5	-	-	33.5	-	-	-	-	-	32.4	-	-	105
111	50.2	48.3	-	40.3	-	-	33.5	-	-	-	-	-	32.2	-	-	111
118	49.8	47.6	-	39.9	40.1	-	33.2	-	-	-	-	-	31.7	-	-	118
124	-	46.8	-	39.7	40.1	-	33.0	-	-	-	-	-	31.5	-	-	124
131	-	45.6	-	39.2	40.1	-	32.8	32.6	-	-	-	-	31.1	-	-	131
138	-	44.4	-	39.0	40.0	-	32.8	32.6	-	-	-	-	30.8	30.8	-	138
144	-	43.0	43.0	-	39.0	-	32.6	32.6	-	-	-	-	30.6	30.8	-	144
151	-	41.6	41.6	-	37.9	-	32.6	32.6	-	-	-	-	30.4	30.8	-	151
157	-	-	39.8	-	36.4	33.8	32.4	32.0	-	-	-	-	30.2	30.8	-	157
164	-	-	37.7	-	34.6	32.6	-	31.3	-	-	-	-	29.9	30.8	-	164
170	-	-	35.2	-	33.0	31.6	-	30.2	32.0	-	-	-	29.5	30.2	-	170
177	-	-	-	-	-	30.4	-	29.1	30.6	-	-	-	-	29.7	-	177
184	-	-	-	-	-	29.5	-	27.9	29.2	-	-	-	-	28.6	27.5	184
190	-	-	-	-	-	28.6	-	26.9	28.0	-	-	-	-	27.8	26.5	190
197	-	-	-	-	-	-	-	-	26.6	-	-	-	-	26.8	25.3	197
210	-	-	-	-	-	-	-	-	24.0	-	-	-	-	-	23.5	210
223	-	-	-	-	-	-	-	-	-	-	-	-	-	-	22.2	223
236	-	-	-	-	-	-	-	-	-	-	-	-	-	-	-	236
249	-	-	-	-	-	-	-	-	-	-	-	-	-	-	-	249
262	-	-	-	-	-	-	-	-	-	-	-	-	-	-	-	262

ft	196.9 ft			216.5 ft			236.2 ft			255.9 ft			275.6 ft			295.3 ft			ft
	83°	73°	65°	83°	73°	65°	83°	73°	65°	83°	73°	65°	83°	73°	65°	83°	73°	65°	
92	24.6	-	-	-	-	-	-	-	-	-	-	-	-	-	-	-	-	-	92
98	24.6	-	-	19.4	-	-	14.5	-	-	-	-	-	-	-	-	-	-	-	98
105	24.4	-	-	19.1	-	-	14.5	-	-	9.9	-	-	-	-	-	-	-	-	105
111	24.2	-	-	19.1	-	-	14.5	-	-	9.9	-	-	-	-	-	-	-	-	111
118	24.0	-	-	18.9	-	-	14.5	-	-	9.9	-	-	-	5.9	-	-	-	-	118
124	23.8	-	-	18.7	-	-	14.5	-	-	9.9	-	-	-	5.9	-	-	-	-	124
131	23.5	-	-	18.7	-	-	14.5	-	-	9.9	-	-	-	5.9	-	-	-	-	131
138	23.3	-	-	18.5	-	-	14.5	-	-	9.9	-	-	-	5.9	-	-	-	-	138
144	23.1	-	-	18.3	-	-	14.5	-	-	9.9	-	-	-	5.9	-	-	-	-	144
151	22.9	-	-	18.2	-	-	14.3	-	-	9.9	-	-	-	5.9	-	-	-	-	151
157	22.7	20.0	-	18.0	-	-	14.3	-	-	9.9	-	-	-	5.9	-	-	-	-	157
164	22.4	20.0	-	17.8	16.3	-	14.3	-	-	9.9	-	-	-	5.9	-	-	-	-	164
170	22.2	20.0	-	17.8	16.3	-	14.1	-	-	9.9	-	-	-	5.9	-	-	-	-	170
177	22.2	20.0	-	17.6	16.3	-	14.1	-	-	9.9	-	-	-	5.9	-	-	-	-	177
184	22.2	20.0	-	17.6	16.3	-	13.8	11.9	-	9.9	8.8	-	-	5.9	-	-	-	-	184
190	22.0	20.0	-	17.6	16.3	-	13.8	11.9	-	9.9	8.8	-	-	5.9	5.2	-	-	-	190
197	22.0	19.8	-	17.6	16.3	-	13.8	11.9	-	9.9	8.8	-	-	5.9	5.2	-	-	-	197
210	21.8	19.6	20.0	17.4	16.0	-	13.6	11.9	-	9.9	8.8	-	-	5.9	5.2	-	-	-	210
223	-	19.1	19.8	17.4	15.8	16.0	13.6	11.9	-	9.9	8.8	-	-	5.9	5.2	-	-	-	223
236	-	18.7	19.1	-	15.2	15.6	13.4	11.4	11.6	9.9	8.8	-	-	5.9	5.2	-	-	-	236
249	-	-	18.1	-	14.7	15.2	13.2	11.0	11.2	9.9	8.6	8.8	-	5.9	5.2	4.8	-	-	249
262	-	-	16.5	-	14.1	14.1	-	10.8	11.0	9.9	8.5	8.6	-	5.9	5.2	4.8	-	-	262
275	-	-	-	-	-	12.8	-	10.3	10.3	-	8.3	8.5	-	5.9	5.2	4.8	-	-	275
289	-	-	-	-	-	11.4	-	-	9.6	-	8.3	8.1	-	5.9	5.2	4.8	-	-	289
302	-	-	-	-	-	-	-	-	8.8	-	-	7.4	-	-	5.2	4.8	-	-	302
315	-	-	-	-	-	-	-	-	-	-	-	6.8	-	-	5.2	4.6	-	-	315
328	-	-	-	-	-	-	-	-	-	-	-	-	-	-	-	4.6	-	-	328
341	-	-	-	-	-	-	-	-	-	-	-	-	-	-	-	-	4.4	-	341
354	-	-	-	-	-	-	-	-	-	-	-	-	-	-	-	-	-	-	354

Remarks

* incl. 13.1 ft adapter

Counterweight 264,600 lb 308,700 lb 352,800 lb 407,900 lb

See page 34



Lifting capacities luffing fly jib with SSL 60°, main boom 83°



360°

DIN/ISO

122.0 ft* Main boom

Radius ft	98.4 ft	118.1 ft	137.8 ft	157.5 ft	177.2 ft	Fly jib	216.5 ft	236.2 ft	255.9 ft	275.6 ft	295.3 ft	Radius ft
	83°	83°	83°	83°	83°	196.9 ft 83° 1,000 lb	83°	83°	83°	83°	83°	
59	165.3	141.2	-	-	-	-	-	-	-	-	-	59
65	149.1	137.3	125.6	-	-	-	-	-	-	-	-	65
72	136.7	127.2	122.3	-	-	-	-	-	-	-	-	72
79	127.2	118.3	114.7	105.9	92.4	-	-	-	-	-	-	79
85	119.4	112.5	108.1	99.8	89.6	77.1	-	-	-	-	-	85
92	110.9	105.9	102.8	95.3	86.5	75.1	66.1	54.0	-	-	-	92
98	104.2	100.0	98.4	91.9	83.7	73.3	64.7	53.6	45.2	-	-	98
105	96.3	93.4	93.2	88.1	80.6	71.4	63.0	52.4	44.7	37.0	-	105
111	89.6	88.2	88.8	84.9	78.4	69.6	61.6	51.4	44.1	36.8	29.1	111
118	-	82.1	83.6	81.1	75.8	67.9	59.9	50.2	43.4	36.3	28.8	118
124	-	76.8	79.6	77.9	73.6	66.5	58.9	49.2	42.8	35.7	28.6	124
131	-	70.5	74.6	73.9	71.0	64.8	57.8	48.3	41.9	35.2	28.2	131
138	-	-	69.7	69.7	68.4	63.2	56.6	47.8	41.2	34.5	27.9	138
144	-	-	65.5	66.1	65.8	62.0	55.6	47.2	40.8	34.1	27.5	144
151	-	-	60.7	61.9	62.7	60.3	54.6	46.7	40.3	33.7	27.1	151
157	-	-	-	58.4	59.9	58.5	53.6	46.1	39.7	33.1	26.9	157
164	-	-	-	54.2	56.6	55.7	52.4	45.6	39.2	32.4	26.4	164
170	-	-	-	-	54.0	53.5	50.6	45.0	38.8	32.0	26.2	170
177	-	-	-	-	50.7	50.7	48.7	44.5	38.3	31.3	25.8	177
184	-	-	-	-	47.4	48.1	46.4	43.3	37.8	30.8	25.3	184
190	-	-	-	-	-	45.9	44.4	42.3	37.2	30.2	25.1	190
197	-	-	-	-	-	43.1	42.0	40.9	36.3	29.5	24.6	197
210	-	-	-	-	-	-	38.1	38.1	33.7	28.4	24.0	210
223	-	-	-	-	-	-	34.2	34.8	31.1	27.1	23.3	223
236	-	-	-	-	-	-	-	-	28.7	26.0	22.5	236
249	-	-	-	-	-	-	-	-	26.7	24.7	21.8	249
262	-	-	-	-	-	-	-	-	22.6	23.4	21.1	262
275	-	-	-	-	-	-	-	-	-	22.1	20.5	275
289	-	-	-	-	-	-	-	-	-	-	19.5	289

137.4 ft* Main boom

Radius ft	98.4 ft	118.1 ft	137.8 ft	157.5 ft	177.2 ft	Fly jib	216.5 ft	236.2 ft	255.9 ft	275.6 ft	295.3 ft	Radius ft
	83°	83°	83°	83°	83°	196.9 ft 83° 1,000 lb	83°	83°	83°	83°	83°	
59	147.7	-	-	-	-	-	-	-	-	-	-	59
65	135.1	124.3	-	-	-	-	-	-	-	-	-	65
72	122.3	115.9	110.2	97.0	-	-	-	-	-	-	-	72
79	114.1	106.6	103.3	94.7	86.8	-	-	-	-	-	-	79
85	107.2	101.4	97.3	91.4	85.2	71.6	-	-	-	-	-	85
92	99.5	95.3	91.3	87.4	81.4	70.2	59.4	-	-	-	-	92
98	93.6	90.3	86.9	84.0	78.2	68.0	58.4	50.7	-	-	-	98
105	86.8	84.2	81.7	80.0	74.5	65.2	57.0	49.6	-	33.7	-	105
111	81.0	79.3	77.3	76.7	72.0	62.8	56.0	48.3	41.0	33.7	24.2	111
118	-	73.7	72.1	72.8	69.0	60.8	54.6	47.1	40.3	33.0	24.0	118
124	-	68.8	68.5	69.5	66.6	59.4	53.6	46.1	39.5	32.4	23.8	124
131	-	63.2	64.0	65.8	63.8	57.8	52.2	45.0	38.6	31.7	23.3	131
138	-	-	59.8	62.2	60.7	56.1	50.8	44.0	37.8	31.0	23.1	138
144	-	-	56.0	59.0	58.3	54.7	49.8	43.4	37.2	30.4	22.7	144
151	-	-	51.7	55.5	55.5	53.3	48.4	42.7	36.5	29.9	22.4	151
157	-	-	-	52.4	53.1	51.9	47.2	42.1	36.1	29.5	22.0	157
164	-	-	-	48.7	50.0	49.6	46.0	41.4	35.7	29.3	22.0	164
170	-	-	-	45.7	47.6	47.6	44.6	40.6	35.3	29.1	21.8	170
177	-	-	-	-	44.8	45.2	43.0	39.9	34.6	28.6	21.8	177
184	-	-	-	-	42.0	42.9	41.1	38.7	34.1	28.4	21.6	184
190	-	-	-	-	39.5	40.8	39.3	37.7	33.7	28.0	21.6	190
197	-	-	-	-	-	38.5	37.4	36.1	32.8	27.7	21.3	197
210	-	-	-	-	-	34.1	33.9	32.8	30.8	26.8	21.3	210
223	-	-	-	-	-	-	30.2	29.5	28.4	25.5	20.9	223
236	-	-	-	-	-	-	-	26.5	26.2	24.0	20.0	236
249	-	-	-	-	-	-	-	-	23.8	22.5	19.4	249
262	-	-	-	-	-	-	-	-	21.4	21.0	18.5	262
275	-	-	-	-	-	-	-	-	-	19.4	17.6	275
289	-	-	-	-	-	-	-	-	-	-	16.7	289
302	-	-	-	-	-	-	-	-	-	-	15.8	302
315	-	-	-	-	-	-	-	-	-	-	-	315

152.5 ft* Main boom

Radius ft	98.4 ft 83°	118.1 ft 83°	137.8 ft 83°	157.5 ft 83°	177.2 ft 83°	Fly jib 196.9 ft 83° 1,000 lb	216.5 ft 83°	236.2 ft 83°	255.9 ft 83°	275.6 ft 83°	295.3 ft 83°	Radius ft
59	-	-	-	-	-	-	-	-	-	-	-	59
65	127.8	108.0	-	-	-	-	-	-	-	-	-	65
72	112.6	104.4	95.9	-	-	-	-	-	-	-	-	72
79	106.0	96.4	92.5	85.9	-	-	-	-	-	-	-	79
85	102.0	91.6	86.9	83.7	76.0	-	-	-	-	-	-	85
92	97.3	87.8	80.8	78.8	72.9	66.0	-	-	-	-	-	92
98	92.1	84.6	78.0	74.3	70.0	64.0	55.1	44.1	-	-	-	98
105	85.7	80.9	74.5	71.4	67.0	61.7	53.5	43.6	37.4	-	-	105
111	80.1	76.8	71.6	69.0	64.5	59.5	52.1	42.8	37.0	30.8	-	111
118	-	71.7	68.1	66.4	62.6	57.1	50.5	41.9	36.3	30.6	22.0	118
124	-	67.3	65.1	64.1	61.0	55.9	49.1	41.0	35.5	30.0	21.8	124
131	-	61.9	61.4	61.5	59.1	54.5	47.6	40.1	34.6	29.5	21.4	131
138	-	-	57.6	58.7	57.2	53.0	46.2	39.4	33.7	28.8	20.9	138
144	-	-	54.4	55.9	55.6	51.8	45.0	39.0	33.1	28.2	20.7	144
151	-	-	50.6	52.8	53.3	50.4	43.8	38.5	32.6	27.7	20.2	151
157	-	-	-	50.2	51.1	49.2	42.6	38.3	32.4	27.3	20.0	157
164	-	-	-	47.2	48.3	47.4	41.2	37.9	31.9	26.8	19.8	164
170	-	-	-	44.5	46.0	45.5	40.0	37.5	31.7	26.6	19.6	170
177	-	-	-	-	43.4	43.2	38.6	37.0	31.3	26.2	19.4	177
184	-	-	-	-	40.8	41.1	36.9	36.3	31.0	25.7	19.1	184
190	-	-	-	-	38.4	39.1	35.5	35.7	30.6	25.5	18.9	190
197	-	-	-	-	-	36.9	33.6	34.1	30.1	25.1	18.7	197
210	-	-	-	-	-	32.8	30.6	31.3	28.6	24.4	18.2	210
223	-	-	-	-	-	-	27.3	28.2	26.8	23.3	17.8	223
236	-	-	-	-	-	-	-	25.4	24.5	22.0	17.2	236
249	-	-	-	-	-	-	-	22.3	22.5	20.5	16.5	249
262	-	-	-	-	-	-	-	-	20.3	19.2	16.1	262
275	-	-	-	-	-	-	-	-	-	17.9	15.4	275
289	-	-	-	-	-	-	-	-	-	-	14.7	289
302	-	-	-	-	-	-	-	-	-	-	14.1	302

168.0 ft* Main boom

Radius ft	98.4 ft 83°	118.1 ft 83°	137.8 ft 83°	157.5 ft 83°	177.2 ft 83°	Fly jib 196.9 ft 83° 1,000 lb	216.5 ft 83°	236.2 ft 83°	255.9 ft 83°	275.6 ft 83°	295.3 ft 83°	Radius ft
59	-	-	-	-	-	-	-	-	-	-	-	59
65	104.7	-	-	-	-	-	-	-	-	-	-	65
72	97.0	88.1	-	-	-	-	-	-	-	-	-	72
79	85.3	80.6	79.0	-	-	-	-	-	-	-	-	79
85	80.7	74.5	72.6	70.5	63.5	-	-	-	-	-	-	85
92	75.2	70.4	65.1	65.5	61.6	52.9	-	-	-	-	-	92
98	70.8	66.8	61.7	61.1	59.0	51.9	45.8	-	-	-	-	98
105	66.3	62.8	58.4	57.3	55.7	49.8	45.1	38.5	-	-	-	105
111	62.7	59.3	55.5	55.0	52.9	48.0	43.7	37.5	31.7	25.1	-	111
118	58.2	55.8	52.3	52.5	50.5	45.8	42.1	36.3	30.8	24.6	18.0	118
124	-	52.6	49.6	50.2	48.5	44.2	40.9	35.1	30.0	24.2	17.8	124
131	-	48.8	47.0	47.9	46.1	42.6	39.2	33.9	29.1	23.6	17.6	131
138	-	45.0	44.6	45.5	43.8	40.9	37.6	32.8	28.1	23.1	17.1	138
144	-	-	42.4	43.3	41.7	39.5	36.4	32.0	27.5	22.5	16.9	144
151	-	-	39.8	40.9	39.6	37.9	34.8	31.0	26.6	21.8	16.5	151
157	-	-	37.6	38.9	38.0	36.4	33.4	30.0	26.0	21.4	16.3	157
164	-	-	-	36.6	36.1	34.8	31.9	29.1	25.1	20.7	15.8	164
170	-	-	-	34.3	34.5	33.6	30.5	28.3	24.5	20.3	15.4	170
177	-	-	-	-	32.6	32.0	29.1	27.3	23.8	19.6	15.0	177
184	-	-	-	-	30.7	30.5	27.9	26.1	22.9	19.1	14.5	184
190	-	-	-	-	29.1	29.1	26.7	25.3	22.2	18.7	14.3	190
197	-	-	-	-	-	27.7	25.5	24.2	21.5	18.0	13.8	197
210	-	-	-	-	-	24.9	23.3	22.2	20.0	16.9	13.0	210
223	-	-	-	-	-	-	20.9	20.0	18.5	16.1	12.1	223
236	-	-	-	-	-	-	-	18.1	17.0	15.0	11.4	236
249	-	-	-	-	-	-	-	15.9	15.6	14.1	11.0	249
262	-	-	-	-	-	-	-	-	14.1	13.0	10.3	262
275	-	-	-	-	-	-	-	-	-	12.1	9.9	275
289	-	-	-	-	-	-	-	-	-	11.2	9.2	289
302	-	-	-	-	-	-	-	-	-	-	8.8	302



Lifting capacities luffing fly jib with SSL 60°, main boom 83°



360°

DIN/ISO

183.1 ft* Main boom

Radius ft	Main boom					Fly jib						Radius ft
	98.4 ft 83°	118.1 ft 83°	137.8 ft 83°	157.5 ft 83°	177.2 ft 83°	196.9 ft 83° 1,000 lb	216.5 ft 83°	236.2 ft 83°	255.9 ft 83°	275.6 ft 83°	295.3 ft 83°	
59	-	-	-	-	-	-	-	-	-	-	-	59
65	85.9	-	-	-	-	-	-	-	-	-	-	65
72	82.4	70.5	-	-	-	-	-	-	-	-	-	72
79	74.5	68.6	59.5	-	-	-	-	-	-	-	-	79
85	71.5	65.2	58.1	54.0	-	-	-	-	-	-	-	85
92	67.8	61.6	54.8	52.2	49.1	-	-	-	-	-	-	92
98	64.6	58.6	52.3	50.3	47.7	44.0	-	-	-	-	-	98
105	61.0	55.3	50.2	48.4	46.2	42.9	38.5	33.0	-	-	-	105
111	57.8	52.3	48.4	47.0	44.8	41.9	37.5	32.6	26.4	-	-	111
118	54.0	49.4	46.3	45.4	43.4	40.5	36.6	31.7	26.0	19.8	-	118
124	-	47.2	44.5	43.8	42.2	39.5	35.6	30.9	25.2	19.4	13.2	124
131	-	44.4	41.9	42.1	40.8	38.6	34.4	30.0	24.4	18.7	12.8	131
138	-	41.5	39.3	40.5	39.4	37.4	33.4	29.0	23.5	18.2	12.5	138
144	-	-	37.1	38.6	38.2	36.4	32.6	28.2	22.7	17.6	12.1	144
151	-	-	34.5	36.5	37.0	35.4	31.5	27.5	22.0	17.1	11.8	151
157	-	-	32.3	34.7	35.6	34.4	30.7	26.7	21.4	16.5	11.4	157
164	-	-	-	32.6	33.7	33.5	29.7	25.8	20.9	16.3	11.2	164
170	-	-	-	30.8	32.3	32.3	28.9	24.9	20.5	15.9	11.0	170
177	-	-	-	-	30.6	30.8	28.0	24.0	19.8	15.6	10.8	177
184	-	-	-	-	28.8	29.4	26.8	23.1	19.3	15.4	10.7	184
190	-	-	-	-	27.4	28.2	25.8	22.5	18.9	15.0	10.5	190
197	-	-	-	-	-	26.8	24.6	21.3	18.2	14.7	10.5	197
210	-	-	-	-	-	24.2	22.4	19.6	17.1	14.1	10.3	210
223	-	-	-	-	-	-	20.3	17.8	15.8	13.4	10.1	223
236	-	-	-	-	-	-	-	15.9	14.7	12.5	9.7	236
249	-	-	-	-	-	-	-	14.1	13.4	11.7	9.2	249
262	-	-	-	-	-	-	-	-	12.1	10.8	8.6	262
275	-	-	-	-	-	-	-	-	-	9.9	8.1	275
289	-	-	-	-	-	-	-	-	-	9.0	7.4	289
302	-	-	-	-	-	-	-	-	-	-	7.0	302
315	-	-	-	-	-	-	-	-	-	-	-	315

Remarks

Counterweight 132,300 lb 176,400 lb 220,500 lb **264,600 lb** **308,700 lb** **352,800 lb** **407,900 lb**

Max. capacities with minimum counterweight

Further counterweight configurations on request

Carrier

Drive/steering:	16 x 8 x 14.
Frame:	Demag-built special main frame of high-strength fine-grain structural steel, with pot-shaped centre section and foldaway outrigger boxes.
Outriggers:	4-point outrigger system, folding outrigger beams, fully hydraulic horizontal and vertical extension, providing 360° continuous rotation. Outrigger loading indicator.
Engine:	Water-cooled 8-cylinder DaimlerChrysler diesel engine OM 502 LA, output 448 kW (610 hp) at 1800 1/min, torque 2700 Nm at 1200 1/min. Fuel tank capacity: 156 gallons.
Transmission:	Allison type CLBT 755 with electronic transmission control (ATEC), torque converter and hydraulic retarder.
Axles:	1 + 2 + 5 driving, connectable drive of axle 3, 1-4 and 6-8 steering, all axles hydropneumatically suspended and hydraulically blockable.
Wheels and tires:	16 wheels, 14.00-R 25.
Steering:	Dual-circuit semiblock mechanical steering with hydraulic booster.
Brakes:	In conformity with EC-directives. Sustained action brake: constant decompression valve, exhaust brake, hydr. retarder integrated into gearbox.
Electrical equipment:	24 V system, lighting in compliance with German StVZO.
Driver's cab:	Rubber-mounted low-line steel cab, ergonomic design, with pneumatically suspended driver's seat and one passenger's seat; vertically adjustable steering wheel; heated outside mirrors, mirror electrically adjustable; dashboard with clearly arranged instrumentation and carrier controls.

Superstructure

Engine:	Water-cooled 6-cylinder DaimlerChrysler diesel engine OM 906 LA, output: 205 kW (279 hp) at 2300 1/min, torque 1100 Nm at 1300 1/min. Fuel tank capacity: 79 gallons.
Hydraulic system:	Powered via 5 hydraulic circuits, 4 main pumps for independent control movements, 1 pump for auxiliary circuits, one control pump for the servo control.
Hoist I:	Axial-piston variable displacement motor, hoist drum with integrated planetary gear reducer, and brake.
Slew unit:	Axial piston motor with planetary gearing, spring-applied automatic holding brake.
Boom elevation:	2 differential cylinders with pilot-controlled lowering brake valves.
Control:	Electrical pilot-control by two self-centering servo levers.
Crane cab:	Spacious all-steel comfortable cab (tiltable) with sliding door and large hinged windscreen, roof window with armoured glass, full instrumentation and crane controls, comfortable seat with ergonomic armrest mounted joystick controls, working light. Self-contained hot water heater with timer and 'Heizmatic' for sensitive heat flow control. Intermittent control window wiper and washer, air-conditioning.
Main boom:	Boom base and four telescopic sections fabricated from fine grain structural steel, telescoping with partial load. Buckling-resistant Demag ovaloid design with diagonally arranged self-centering slider shoes.
Counterweight:	220,500 lb, divisible.
Safety devices:	Electronic safe load indicator with large graphic display and sealed touch-type keyboard, digital read-out for hook load, nominal load, boom length, angle, and radius. Analog display to indicate the capacity utilization, and monitoring code to assist in trouble shooting. Integrated control system for boom telescoping, display for load charts and both theoretical and measured outrigger loadings. In addition, provision has been made for: limit switches on hoist and lowering motions, pressure relief and safety holding valves, hoist rotation indicator and anemometer.

Optional equipment

Superlift attachment:	This attachment is used to increase the crane's load moment. It consists of the boom suspension mast with pendant ropes, which provides for an automatic rope length adjustment for boom telescoping, and a 132,300 lb additional counterweight. The suspension mast is lowered to the main boom when not needed, or for road transport (axle loads to be observed).
Main boom extension:	Lattice extension consisting of components of the 295.3 ft luffing jib, 19.7 – 98.4 ft long, 0°, 20° and 40° offset from 39.3 ft length.
Fixed fly jib:	Fixed lattice jib, comprising of parts of the luffing jib, 27.6 – 204.7 ft long (system LF).
Luffing jib:	78.7 – 295.3 ft, plus 13.1 ft adapter, with two luffing masts, pendant bars, electrical equipment, safety devices (hoist II is required when using the luffing jib).
Additional counterweight:	132,300 lb, integrated into the standard counterweight, installed by the crane itself.
Additional jack leg:	For special duties with 48.2 ft main boom.
Hoist II:	Axial piston variable displacement motor, hoist drum with integrated planetary reduction, spring-applied multi-disk brake, hoist rope.
Independent rear axle steering	

Overview of standard duty charts

31.6 x 31.5 ft

26.4 x 24.0 ft

Main boom

Main boom		1,000 lb									
		0	44.1	88.2	132.3	176.4	220.5	264.6	308.7	352.8	407.9
		360°	360°	360°	360°	360°	360°	360°	360°	360°	360°
48.2 ft		x	x	x	x	x	x	x	x	x	-
63.3 ft		x	x	x	x	x	x	x	x	x	-
78.7 ft		x	x	x	x	x	x	x	x	x	-
93.8 ft		x	x	x	x	x	x	x	x	x	-
108.9 ft		x	x	x	x	x	x/+SSL	x/+SSL	x/+SSL	x/+SSL	+SSL
124.3 ft		x	x	x	x	x	x/+SSL	x/+SSL	x/+SSL	x/+SSL	+SSL
139.4 ft		x	x	x	x	x	x/+SSL	x/+SSL	x/+SSL	x/+SSL	+SSL
154.9 ft		x	x	x	x	x	x/+SSL	x/+SSL	x/+SSL	x/+SSL	+SSL
170.0 ft		x	x	x	x	x	x/+SSL	x/+SSL	x/+SSL	x/+SSL	+SSL
183.7 ft		x	x	x	x	x	x/+SSL	x/+SSL	x/+SSL	x/+SSL	+SSL

Main boom		1,000 lb					
		0	44.1	88.2	132.3	176.4	220.5
		360°	360°	360°	360°	360°	360°
48.2 ft		x	x	x	x	x	x
63.3 ft		x	x	x	x	x	x
78.7 ft		x	x	x	x	x	x
93.8 ft		x	x	x	x	x	x
108.9 ft		x	x	x	x	x	x
124.3 ft		x	x	x	x	x	x
139.4 ft		x	x	x	x	x	x
154.9 ft		x	x	x	x	x	x
170.0 ft		x	x	x	x	x	x
183.7 ft		x	x	x	x	x	x

31.6 x 31.5 ft

26.4 x 24.0 ft

Main boom extension

Main boom	Extension	1,000 lb								
		88.2	132.3	176.4	220.5	264.6	308.7	352.8	407.9	
		360°	360°	360°	360°	360°	360°	360°	360°	
19.7 ft - 0°	SSL=0°	x	x	x	x/+SSL	x/+SSL	x/+SSL	x/+SSL	+SSL	+SSL
39.3 ft - 0°	SSL=0°	x	x	x	x/+SSL	x/+SSL	x/+SSL	x/+SSL	+SSL	+SSL
59.0 ft - 0°	SSL=0°	x	x	x	x/+SSL	x/+SSL	x/+SSL	x/+SSL	+SSL	+SSL
78.7 ft - 0°	SSL=0°	x	x	x	x/+SSL	x/+SSL	x/+SSL	x/+SSL	+SSL	+SSL
98.4 ft - 0°	SSL=0°	x	x	x	x/+SSL	x/+SSL	x/+SSL	x/+SSL	+SSL	+SSL
39.3 ft - 30°	SSL=30°	x	x	x	x/+SSL	x/+SSL	x/+SSL	x/+SSL	+SSL	+SSL
59.0 ft - 30°	SSL=30°	x	x	x	x/+SSL	x/+SSL	x/+SSL	x/+SSL	+SSL	+SSL
78.7 ft - 30°	SSL=30°	x	x	x	x/+SSL	x/+SSL	x/+SSL	x/+SSL	+SSL	+SSL
98.4 ft - 30°	SSL=30°	x	x	x	x/+SSL	x/+SSL	x/+SSL	x/+SSL	+SSL	+SSL
39.3 ft - 20°	SSL=0°	x	x	x	x/+SSL	x/+SSL	x/+SSL	x/+SSL	+SSL	+SSL
59.0 ft - 20°	SSL=0°	x	x	x	x/+SSL	x/+SSL	x/+SSL	x/+SSL	+SSL	+SSL
78.7 ft - 20°	SSL=0°	x	x	x	x/+SSL	x/+SSL	x/+SSL	x/+SSL	+SSL	+SSL
98.4 ft - 20°	SSL=0°	x	x	x	x/+SSL	x/+SSL	x/+SSL	x/+SSL	+SSL	+SSL
39.3 ft - 40°	SSL=0°	x	x	x	x/+SSL	x/+SSL	x/+SSL	x/+SSL	+SSL	+SSL
59.0 ft - 40°	SSL=0°	x	x	x	x/+SSL	x/+SSL	x/+SSL	x/+SSL	+SSL	+SSL
78.7 ft - 40°	SSL=0°	x	x	x	x/+SSL	x/+SSL	x/+SSL	x/+SSL	+SSL	+SSL
98.4 ft - 40°	SSL=0°	x	x	x	x/+SSL	x/+SSL	x/+SSL	x/+SSL	+SSL	+SSL

Main boom	Extension	1,000 lb					
		88.2	132.3	176.4	220.5		
		360°	360°	360°	360°		
19.7 ft - 0°		x	x	x	x		
39.3 ft - 0°		x	x	x	x		
59.0 ft - 0°		x	x	x	x		
78.7 ft - 0°		x	x	x	x		
98.4 ft - 0°		x	x	x	x		
39.3 ft - 20°		x	x	x	x		
59.0 ft - 20°		x	x	x	x		
78.7 ft - 20°		x	x	x	x		
98.4 ft - 20°		x	x	x	x		
39.3 ft - 40°		x	x	x	x		
59.0 ft - 40°		x	x	x	x		
78.7 ft - 40°		x	x	x	x		
98.4 ft - 40°		x	x	x	x		

31.6 x 31.5 ft

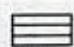
Fixed fly jib


Main boom	Jib	1,000 lb								
		88.2	132.3	176.4	220.5	264.6	308.7	352.8	407.9	
		360°	360°	360°	360°	360°	360°	360°	360°	
27.6 ft - 0°		x	x	x	x	x	x	x	-	
47.2 ft - 0°		x	x	x	x	x	x	x	-	
66.9 ft - 0°		x	x	x	x	x	x	x	-	
86.6 ft - 0°		x	x	x	x	x	x	x	-	
106.3 ft - 0°		x	x	x	x	x	x	x	-	
126.0 ft - 0°		x	x	x	x	x	x	x	-	
145.7 ft - 0°		x	x	x	x	x	x	x	-	
165.4 ft - 0°		x	x	x	x	x	x	x	-	
185.0 ft - 0°		x	x	x	x	x	x	x	-	
204.7 ft - 0°		x	x	x	x	x	x	x	-	
86.6 ft - 20°		x	x	x	x	x	x	x	-	
106.3 ft - 20°		x	x	x	x	x	x	x	-	
126.0 ft - 20°		x	x	x	x	x	x	x	-	
145.7 ft - 20°		x	x	x	x	x	x	x	-	
165.4 ft - 20°		x	x	x	x	x	x	x	-	
185.0 ft - 20°		x	x	x	x	x	x	x	-	
204.7 ft - 20°		x	x	x	x	x	x	x	-	
86.6 ft - 40°		x	x	x	x	x	x	x	-	
106.3 ft - 40°		x	x	x	x	x	x	x	-	
126.0 ft - 40°		x	x	x	x	x	x	x	-	
145.7 ft - 40°		x	x	x	x	x	x	x	-	
165.4 ft - 40°		x	x	x	x	x	x	x	-	
185.0 ft - 40°		x	x	x	x	x	x	x	-	
204.7 ft - 40°		x	x	x	x	x	x	x	-	

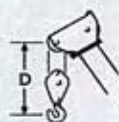
Main boom	Jib	1,000 lb								
		88.2	132.3	176.4	220.5	264.6	308.7	352.8	407.9	
		360°	360°	360°	360°	360°	360°	360°	360°	
SSL 0° + 30°										
27.6 ft - 0°		x	x	x/+SSL	x/+SSL	x/+SSL	x/+SSL	x/+SSL	+SSL	+SSL
47.2 ft - 0°		x	x	x/+SSL	x/+SSL	x/+SSL	x/+SSL	x/+SSL	+SSL	+SSL
66.9 ft - 0°		x	x	x/+SSL	x/+SSL	x/+SSL	x/+SSL	x/+SSL	+SSL	+SSL
86.6 ft - 0°		x	x	x/+SSL	x/+SSL	x/+SSL	x/+SSL	x/+SSL	+SSL	+SSL
106.3 ft - 0°		x	x	x/+SSL	x/+SSL	x/+SSL	x/+SSL	x/+SSL	+SSL	+SSL
126.0 ft - 0°		x	x	x/+SSL	x/+SSL	x/+SSL	x/+SSL	x/+SSL	+SSL	+SSL
145.7 ft - 0°		x	x	x/+SSL	x/+SSL	x/+SSL	x/+SSL	x/+SSL	+SSL	+SSL
165.4 ft - 0°		x	x	x/+SSL	x/+SSL	x/+SSL	x/+SSL	x/+SSL	+SSL	+SSL
SSL 0°										
86.6 ft - 20°		x	x	x	x/+SSL	x/+SSL	x/+SSL	x/+SSL	+SSL	-
106.3 ft - 20°		x	x	x	x/+SSL	x/+SSL	x/+SSL	x/+SSL	+SSL	-
126.0 ft - 20°		x	x	x	x/+SSL	x/+SSL	x/+SSL	x/+SSL	+SSL	-
145.7 ft - 20°		x	x	x	x/+SSL	x/+SSL	x/+SSL	x/+SSL	+SSL	-
165.4 ft - 20°		x	x	x	x/+SSL	x/+SSL	x/+SSL	x/+SSL	+SSL	-
SSL 0°										
86.6 ft - 40°		x	x	x	x/+SSL	x/+SSL	x/+SSL	x/+SSL	+SSL	-
106.3 ft - 40°		x	x	x	x/+SSL	x/+SSL	x/+SSL	x/+SSL	+SSL	-
126.0 ft - 40°		x	x	x	x/+SSL	x/+SSL	x/+SSL	x/+SSL	+SSL	-
145.7 ft - 40°		x	x	x	x/+SSL	x/+SSL	x/+SSL	x/+SSL	+SSL	-
165.4 ft - 40°		x	x	x	x/+SSL	x/+SSL	x/+SSL	x/+SSL	+SSL	-

** 80 t only SSL 30°

Key

 Counterweight

 Lifting capacities on outriggers 360°

„D“ 

SL: Superlift

The information contained in this brochure merely consists of general descriptions and a broad compilation of performance features which might not apply precisely as described under specific application conditions or which may change as a result of further product development.
The desired performance features only become binding once expressly agreed in the final contract.

Subject to change without notice. · Machine operation is subject to computer charts only.

03/03

Terex Cranes Wilmington Operations

Mobile hydraulic and lattice-boom cranes
202 Raleigh St.
Wilmington, NC 28412 USA
Phone +1 910 395 8500
Fax +1 910 395 8538
Email american@american-crane.com

Order Nr. AC 500-1 USA C1 – 201 111 12

www.terex-cranes.com